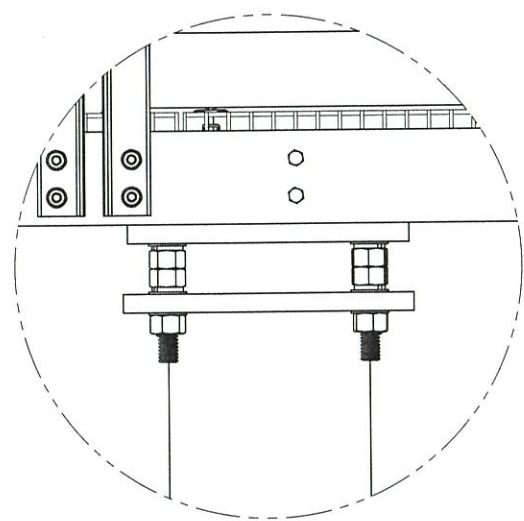
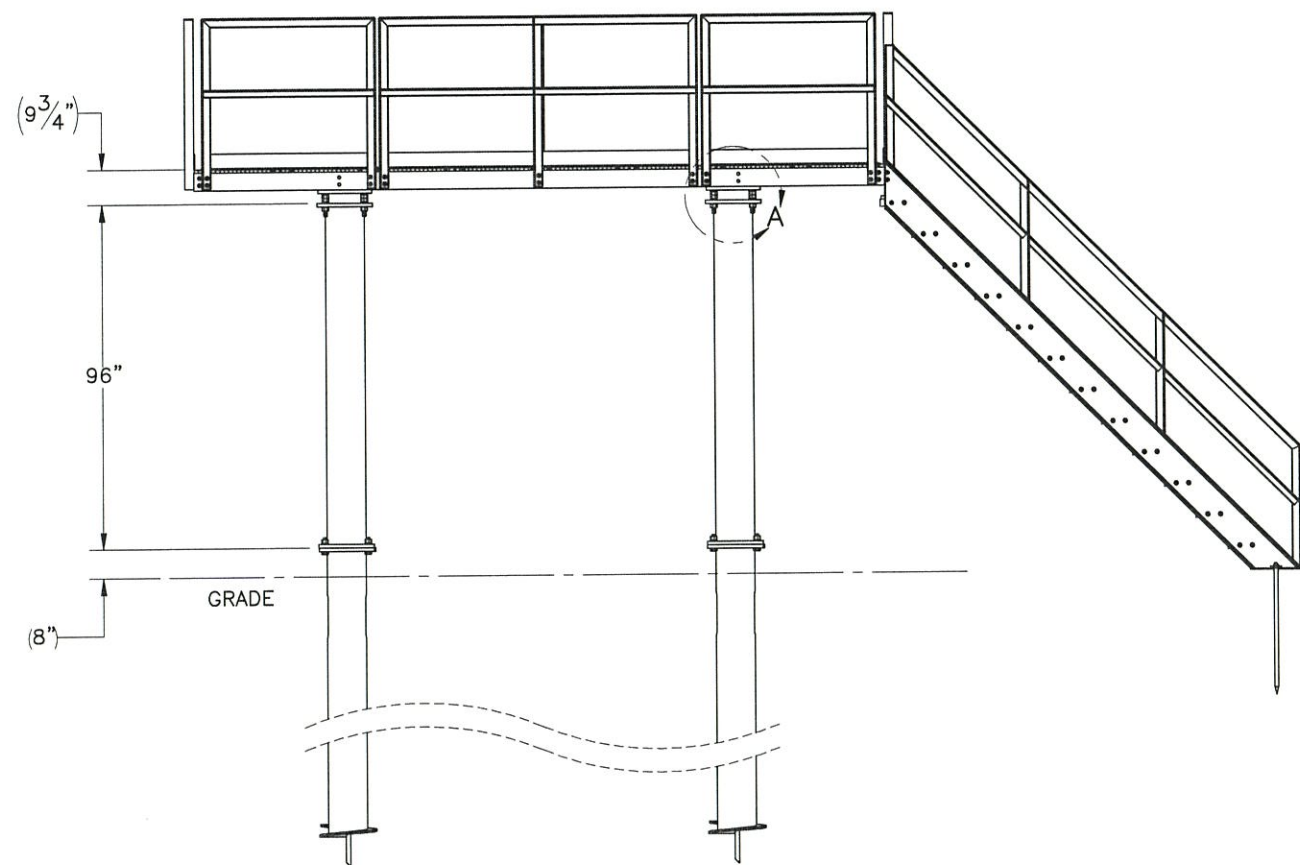
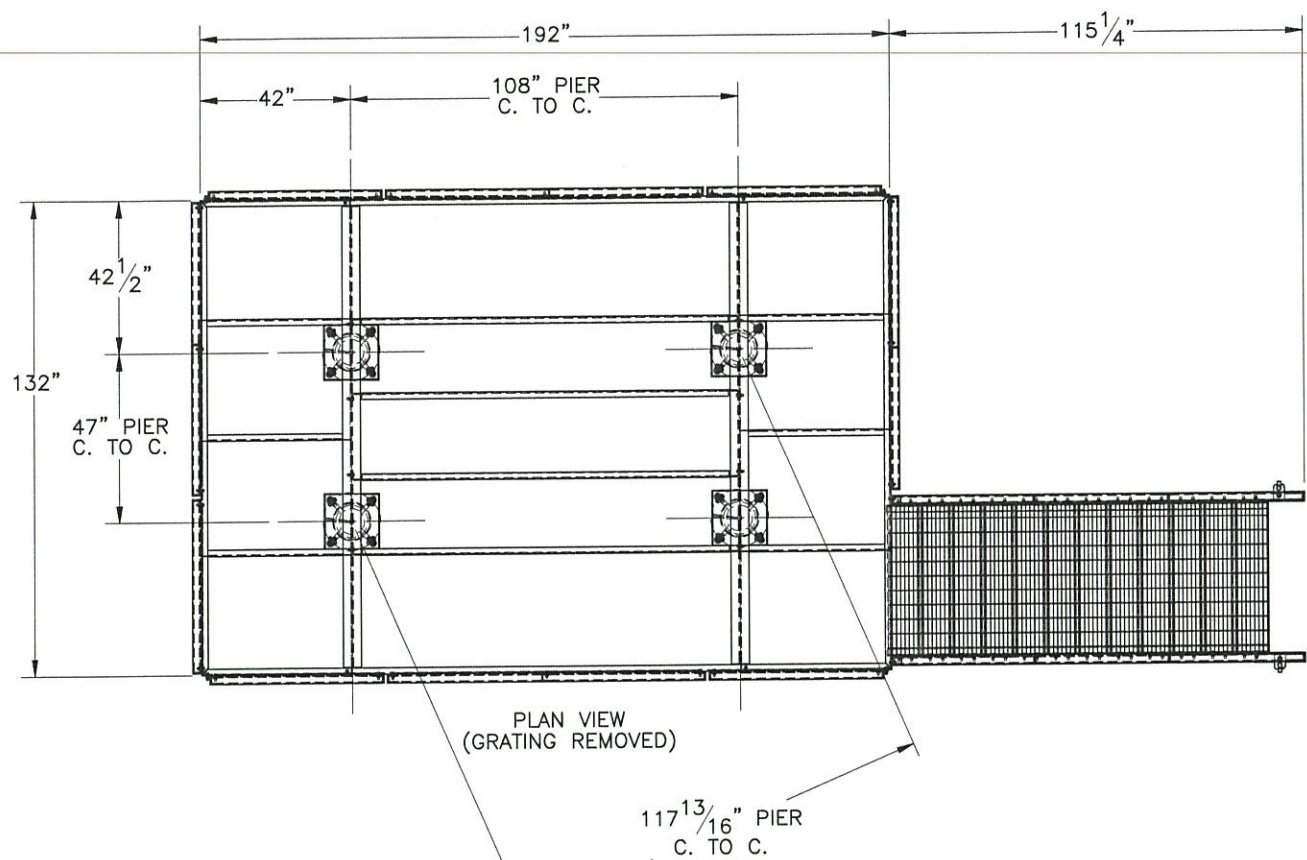
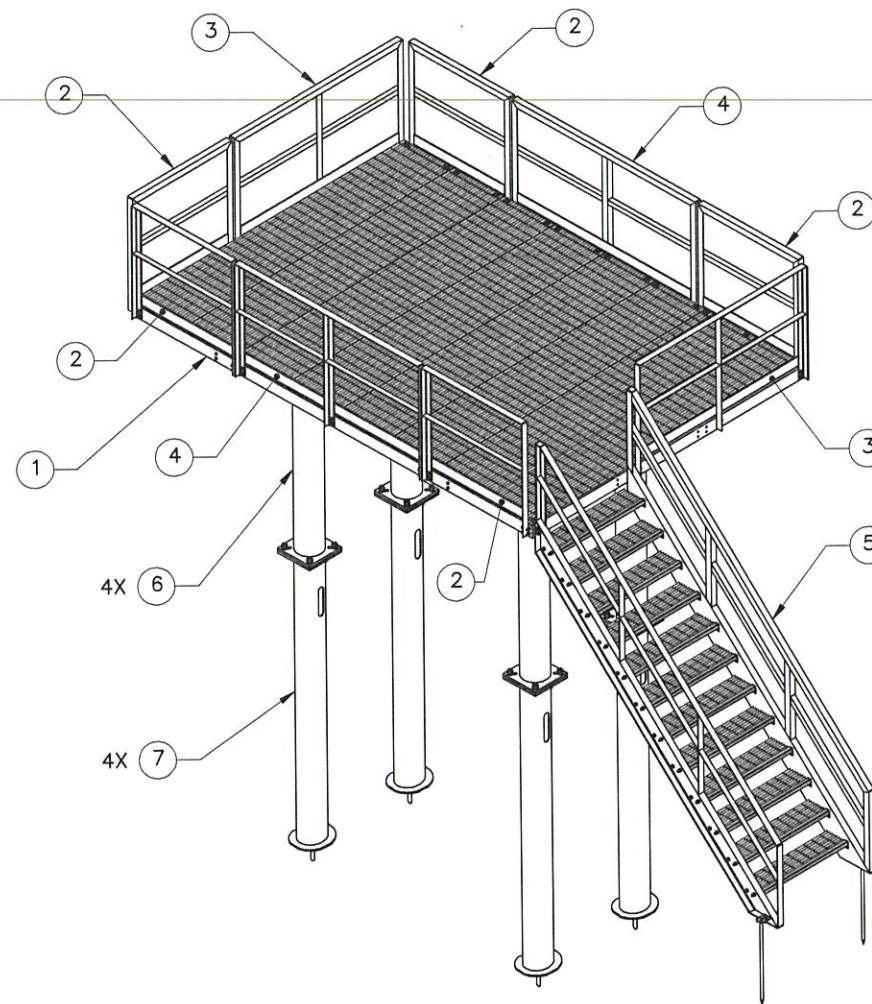



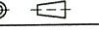
THE INFORMATION CONTAINED IN THIS DRAWING IS THE SOLE PROPERTY OF ELECTRO MECHANICAL INDUSTRIES, INC. ANY REPRODUCTION IN PART OR WHOLE WITHOUT THE WRITTEN PERMISSION OF ELECTRO MECHANICAL IND., IS PROHIBITED.



DETAIL A  
TYP LEVELING CONNECTION  
HDW PACKAGED W/ PLATFORM



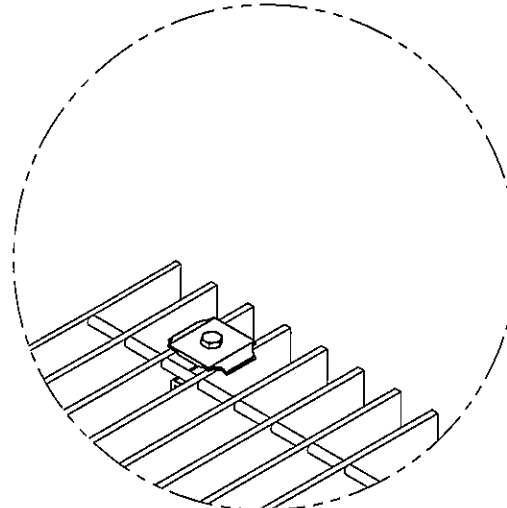
ITEM NO.	QTY REQD	PART NUMBER	DESCRIPTION	LENGTH	WEIGHT
1	1	1001-0020-0010	11' X 16' PLATFORM		2621.9
2	5	450-000-0601-0484	HANDRAIL, 48-1/2"		71.7
3	2	450-000-0601-0814	HANDRAIL, 81-1/2"		116.0
4	2	450-000-0601-0884	HANDRAIL, 88-1/2"		122.2
5	1	450-000-0183	8' STAIR ASSEMBLY (42" WIDE)		1054.4
6	4	400-000-2017	8' PIER EXTENSION ASSY. W/ HARDWARE		419.60
7	4	400-000-1001	10" x 10", 1" BASE, 1" HDW - HEL. PIER		353.0
8	44	002-0BG-0026	BOLT, HX HD, .500-13UNC X 1.75 LG, GR 5, GALV		0.14
9	44	002-0NG-0010	NUT, HX, .500-13UNC, GR DH, GALV		0.06
10	44	002-0LW-G002	WASHER, SPLIT LOCK, .500", GALV		0.01
11	44	002-0FW-G002	WASHER, FLAT, .500", F436, GALV		0.02

SURFACE FINISH <input checked="" type="checkbox"/> UNLESS OTHERWISE SPECIFIED		UNLESS OTHERWISE SPECIFIED DIMENSIONS ARE IN INCHES		APPROVALS	DATE	 ELECTRO MECHANICAL INDUSTRIES, INC. 11230 NEESEAW DRIVE HOUSTON, TEXAS 77065 1-800-453-0050
MATERIAL	SEE PARTS LIST	TOLERANCES		DRAWN	09.22.15	
THIRD ANGLE PROJECTION		.00 ± .06 .000 ± .01 FRACTIONS ± 1/16 ANGLES ± .25°		CHECKED	9.29.15	TITLE:
NEXT ASSY	USED ON	HOLES: DRILLED OR PUNCHED +1/32 BURNED ±1/32		ENGINEER/DESIGNER	9.29.15	11' X 16' PLATFORM ASSEMBLY
APPLICATIONS				PRODUCTION	9.29.15	SIZE DRAWING NO. B 1000-0000-0019
						SCALE: 1:52 WEIGHT: 7612.3 lbs. SHEET 1 OF 2

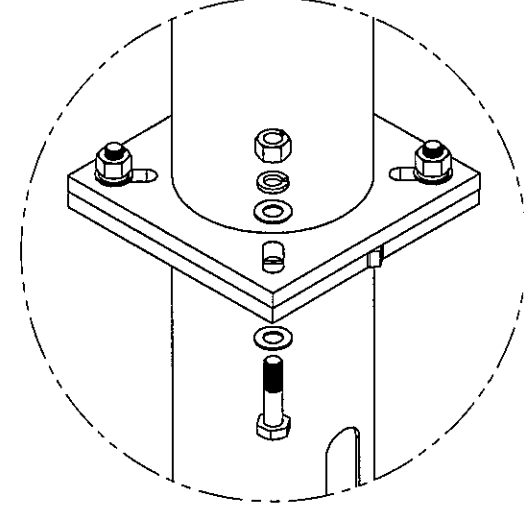
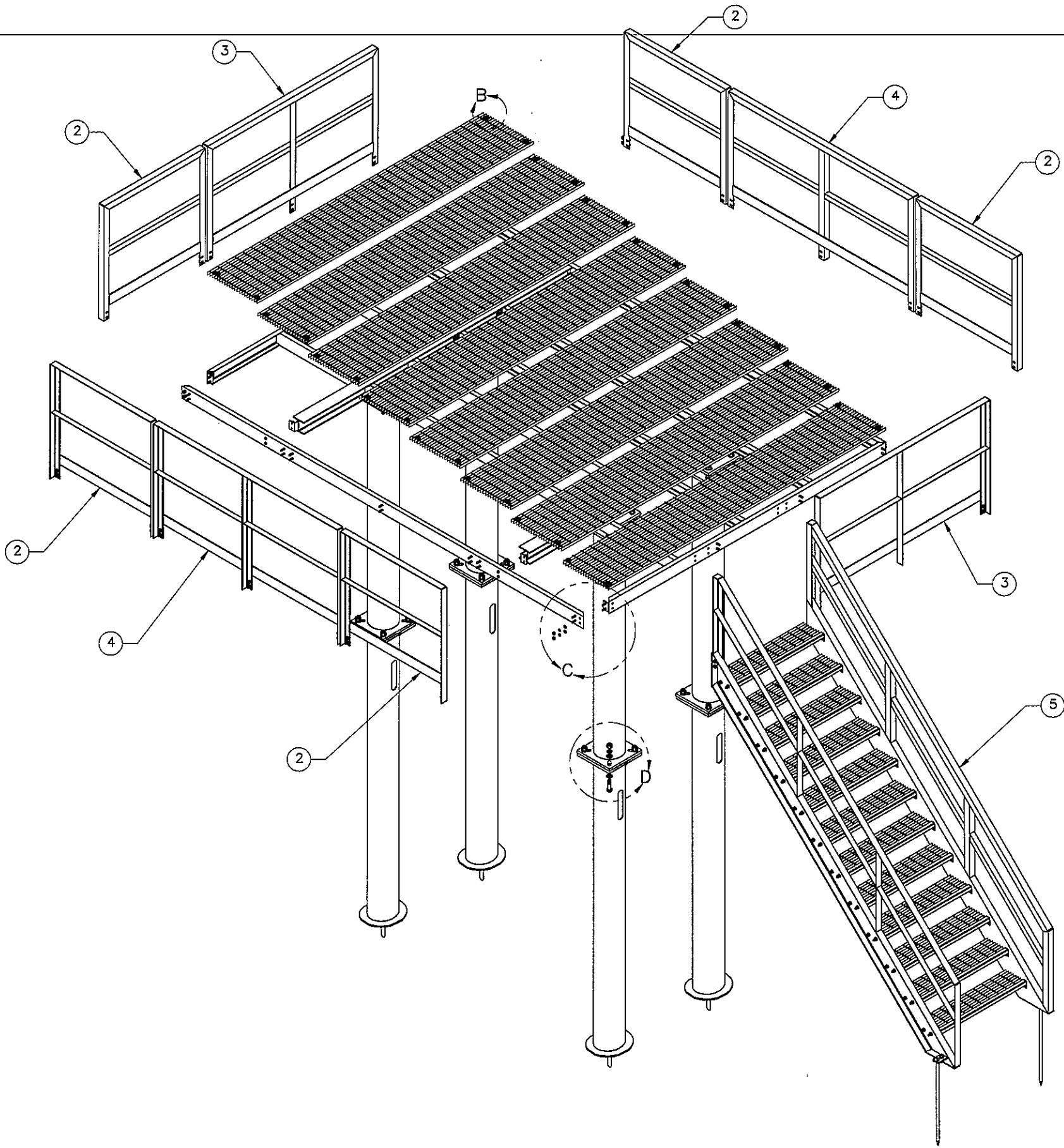
8 7 6 5 4 3 2 1

D  
C  
B  
A

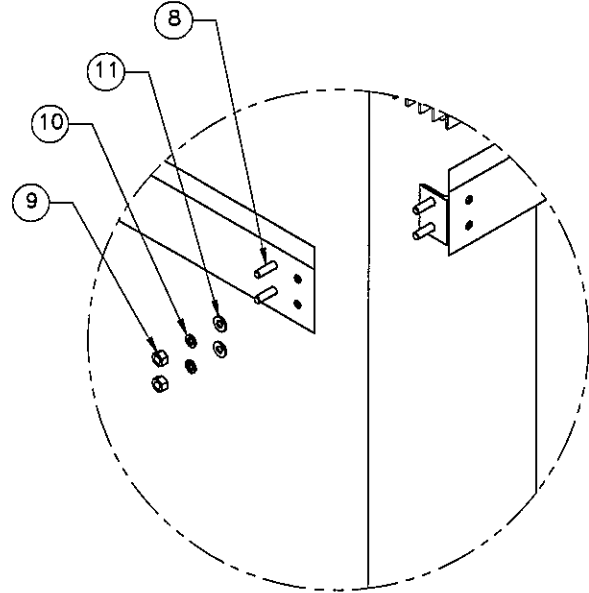
D  
C  
B  
A



DETAIL B  
TYP GRATING CLIP  
4 PER PANEL



DETAIL D  
TYP HELICAL CONNECTION  
HDW PACKAGED W/EXTENSIONS



DETAIL C  
TYP CONNECTION

8 7 6 5 4 3 2 1

		EMI PRODUCTS, LLC 11230 NEESHAW DRIVE HOUSTON, TEXAS 77065 1-800-453-0050	
SIZE	DRAWING NO.	REV	
B	1000-0000-0019	-	
SCALE: 1:40			SHEET 2 OF 2