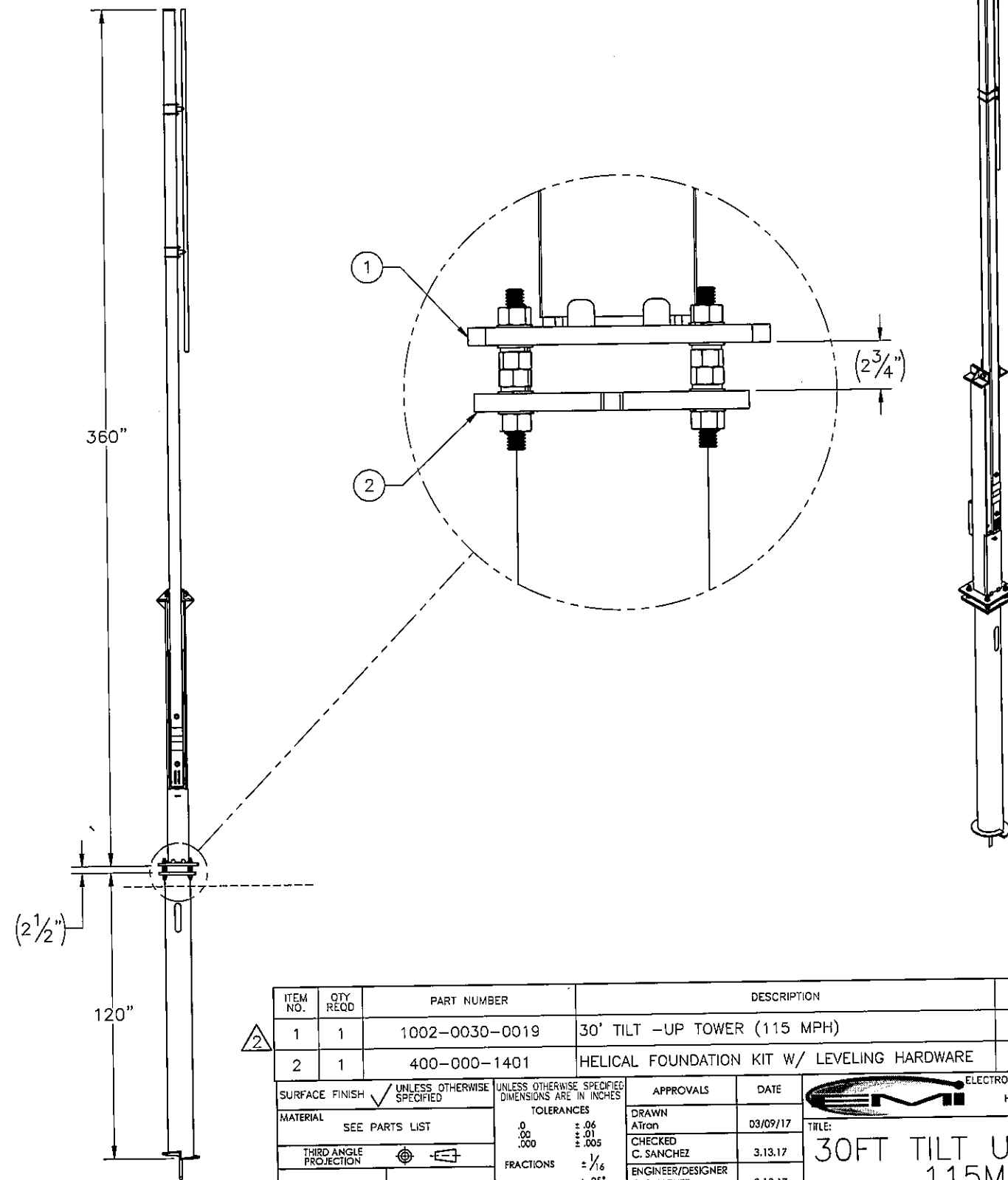
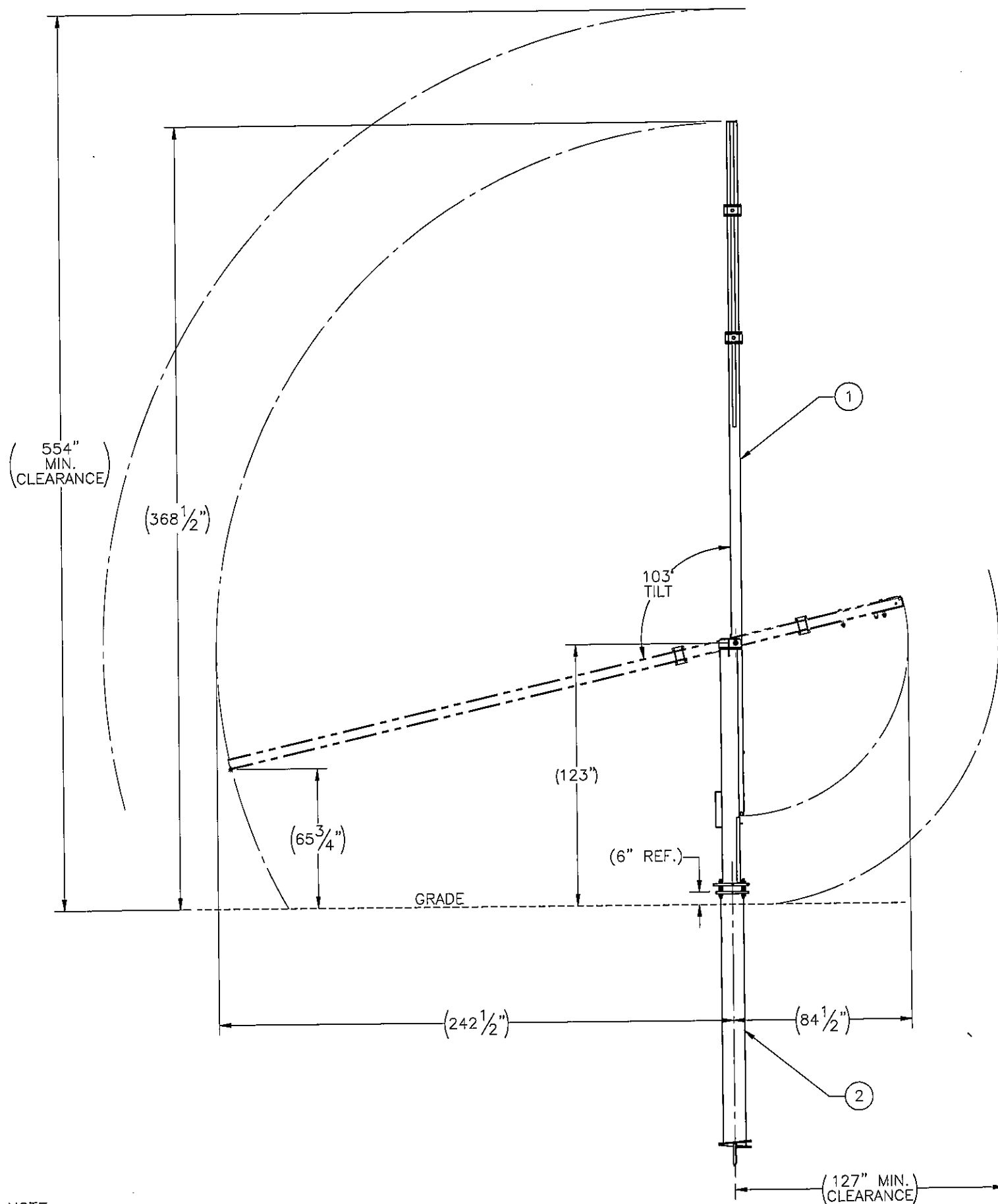


THE INFORMATION CONTAINED IN THIS DRAWING IS THE SOLE PROPERTY OF ELECTRO MECHANICAL INDUSTRIES, INC. ANY REPRODUCTION IN PART OR WHOLE WITHOUT THE WRITTEN PERMISSION OF ELECTRO MECHANICAL IND., IS PROHIBITED.

PATENT #: 8,910,432

REVISIONS					
REV.	DCN #	DESCRIPTION	DATE	BY	APPROVED
2	DCN00869	VISUAL UPDATE	2020.06.25	BLH	JPB



NOTE:
MIN. CLEARANCE TO ELECTRICAL LINES 1.5 X TOWER HEIGHT

ITEM NO.	QTY REQD	PART NUMBER	DESCRIPTION	LENGTH	WEIGHT
1	1	1002-0030-0019	30' TILT -UP TOWER (115 MPH)		1079.18
2	1	400-000-1401	HELICAL FOUNDATION KIT W/ LEVELING HARDWARE		361.9

SURFACE FINISH		UNLESS OTHERWISE SPECIFIED	UNLESS OTHERWISE SPECIFIED	APPROVALS		DATE
MATERIAL		SEE PARTS LIST	TOLERANCES	DRAWN		03/09/17
THIRD ANGLE PROJECTION			±.06	CHECKED		3.13.17
			±.01	ENGINEER/DESIGNER		3.13.17
			±.005	PRODUCTION		3.13.17
NEXT ASSY		USED ON	FRACTIONS ± 1/16			
			ANGLES ± .25°			
APPLICATIONS			HOLES:			
			DRILLED OR PUNCHED ± 1/32			
			BURNED ± 1/32			

ELECTRO MECHANICAL INDUSTRIES, INC. 11230 NEESHAW DRIVE HOUSTON, TEXAS 77065 1-800-453-0050	
TITLE: 30FT TILT UP TOWER 115MPH	
SIZE B	DRAWING NO. 1000-0000-0054
SCALE: 1:60	WEIGHT: 1441.09 lbs.
	SHEET 1 OF 1