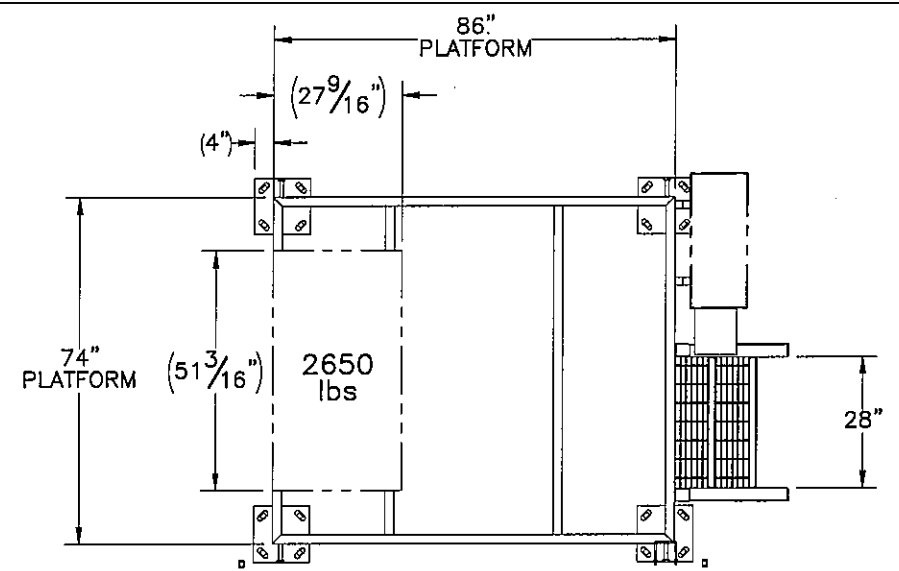
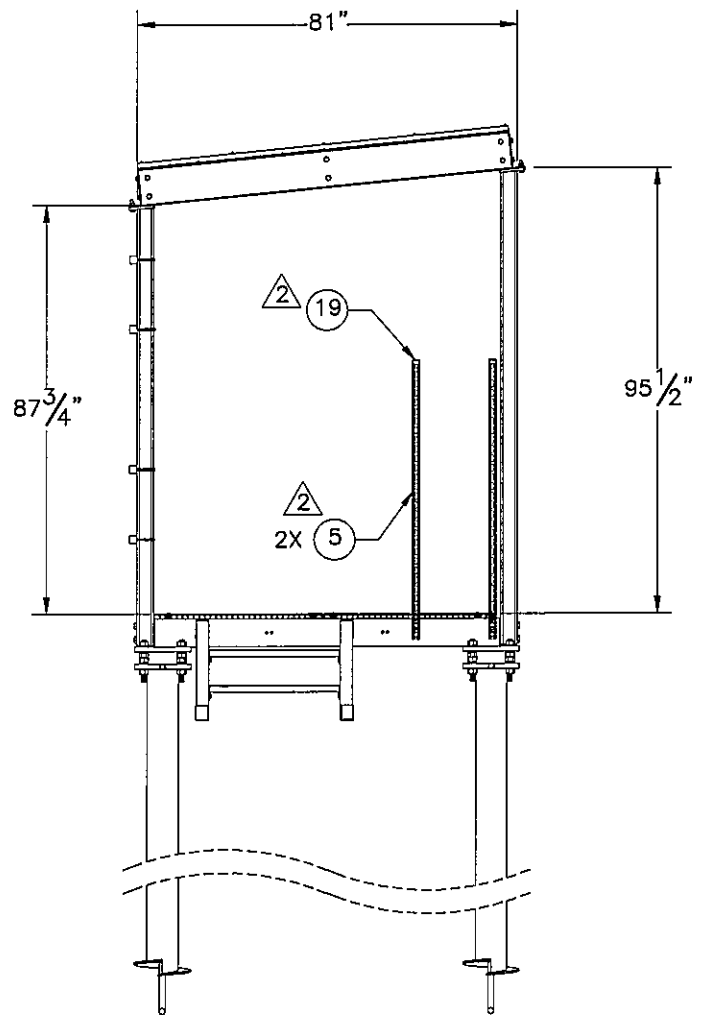
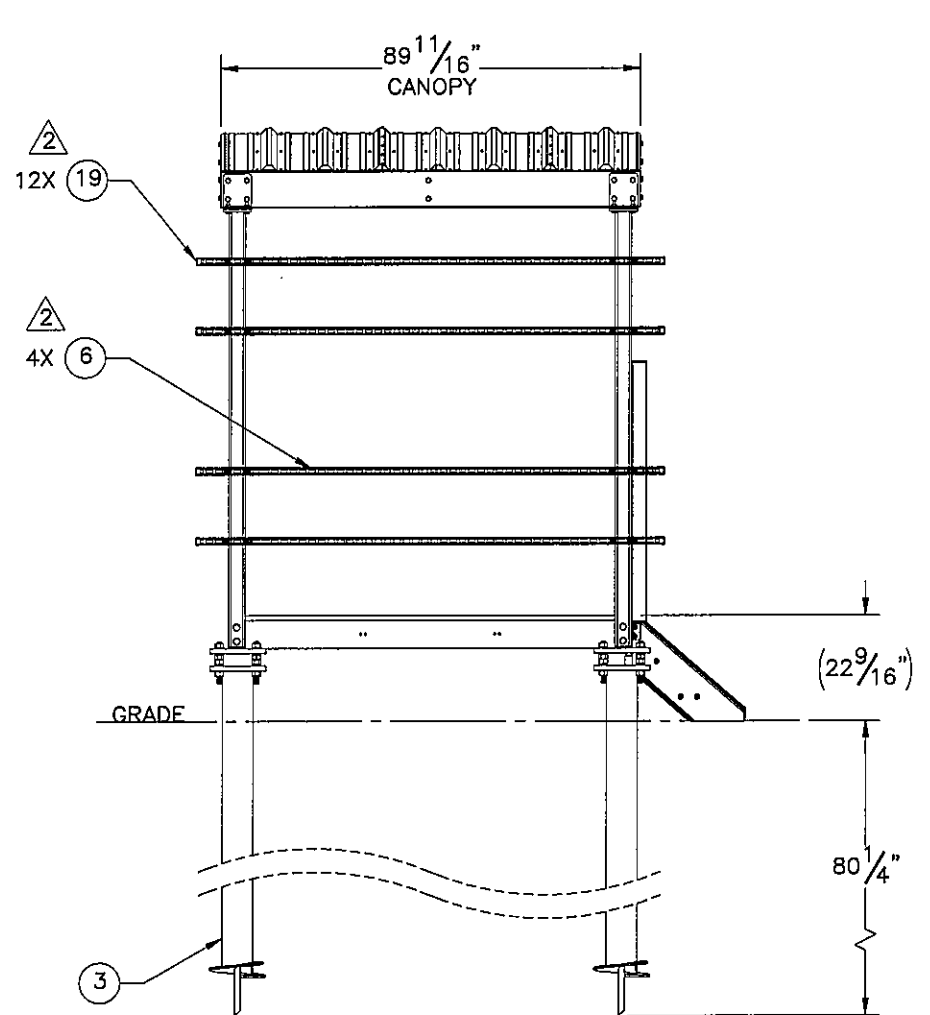
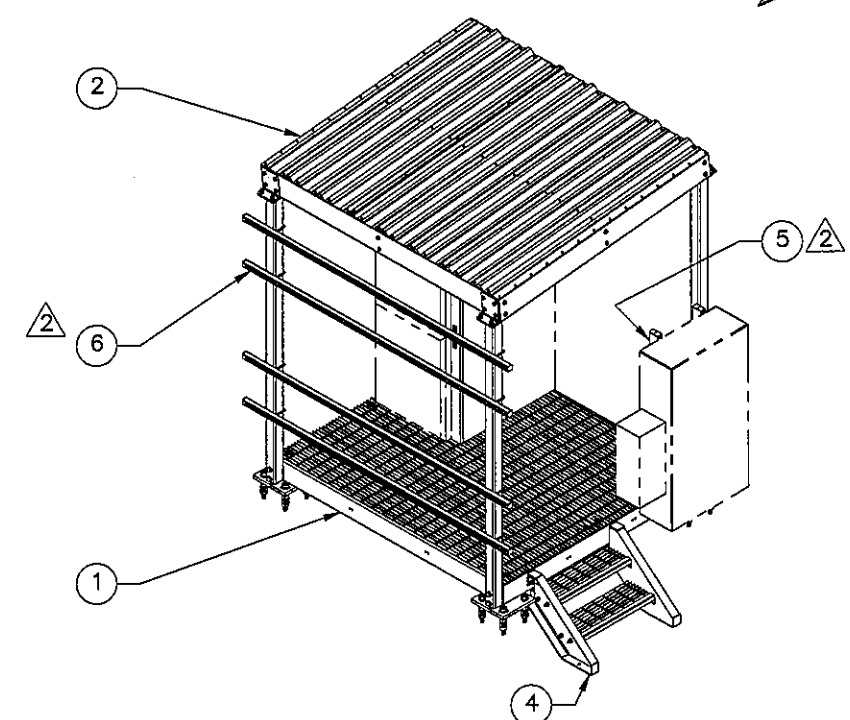


THE INFORMATION CONTAINED IN THIS DRAWING IS THE SOLE PROPERTY OF ELECTRO MECHANICAL INDUSTRIES, INC. ANY REPRODUCTION IN PART OR WHOLE WITHOUT THE WRITTEN PERMISSION OF ELECTRO MECHANICAL IND., IS PROHIBITED.

REVISIONS					
REV.	DCN #	DESCRIPTION	DATE	BY	APPROVED
2	DCN00360	ADDED END CAPS AND UPDATED DESCRIPTIONS OF PARTS	12.5.17	JGC	



CANOPY REMOVED FOR CLARITY



ITEM NO.	QTY.	PART NUMBER	DESCRIPTION	LENGTH	WEIGHT
1	1	1001-0020-0035	PLATFORM ASSEMBLY		824.3
2	1	1001-0030-0019	FLAT ROOF CANOPY		665.2
3	4	400-000-1017	6" X 7", 1" HARDWARE-- HELICAL PIER		173.2
4	1	450-000-0105	2 STEP STAIR ASSEMBLY		112.03
5	2	P-001-465	1-5/8" X 3-1/4", 12 GA. SLOTTED STRUT CHANNEL, GALV.		14.3
6	4	P-001-466	1-5/8" X 1-5/8", 12 GA. SLOTTED STRUT CHANNEL, GALV.		14.3
7	8	002-0BG-0246	BOLT, HX HD, .75-10UNC X 5.50 LG, ASTM A325, GALV		0.85
8	8	002-0NG-0016	NUT, HX, ANCO LOCKNUT, .75-10UNC, GR 2H, GALV		0.19
9	8	002-0LW-G003	WASHER, SPLIT LOCK, .75", GALV		0.04
10	16	002-0FW-G003	WASHER, FLAT, .75 INCH, ASTM F436, GALV		0.03
11	4	002-0BG-0023	BOLT, HX HD, .500-13UNC X 1.25 LG, ASTM A325, GALV		0.13
12	4	002-0NG-0001	NUT, HEX, .500-13UNC, GR DH, GALV		0.06
13	4	002-0LW-G002	WASHER, SPLIT LOCK, .500", GALV		0.01
14	8	002-0FW-G002	WASHER, FLAT, .500", F436, GALV		0.02
15	8	002-0UG-G004	U-BOLT, SQUARE, 4" WIDE, .375-16 X 4-5/8" L INSIDE, GALV.		0.40
16	16	002-0NG-0003	NUT, HEX, .375-16UNC, GR 2H, GALV		0.03
17	16	002-0LW-G005	WASHER, SPLIT LOCK, .375 INCH, GALV		0.01
18	16	002-0FW-G005	WASHER, FLAT, .375, GALV		0.01
19	12	(B-LINE) B825-22	STRUT CHANNEL PLUG 1.625" X 1.625", GREY		0.04

SURFACE FINISH <input checked="" type="checkbox"/> UNLESS OTHERWISE SPECIFIED		UNLESS OTHERWISE SPECIFIED DIMENSIONS ARE IN INCHES		APPROVALS		DATE	ELECTRO MECHANICAL INDUSTRIES, INC. 11230 NEESHAW DRIVE HOUSTON, TEXAS 77065 1-800-453-0050
MATERIAL SEE PARTS LIST		TOLERANCES		DRAWN RLW Jr	06.21.2017		
THIRD ANGLE PROJECTION		FRACTIONS ± 1/16		CHECKED C. SANCHEZ	6.27.17		ENGINEER/DESIGNER J. BUSHMAN
NEXT ASSY USED ON		ANGLES ± .25°		PRODUCTION J. BOWLDS	6.27.17		SIZE B DRAWING NO. 1000-0000-0055
APPLICATIONS		HOLES: DRILLED OR PUNCHED ± 1/32		SCALE: 1:40		WEIGHT: 2394.4 lbs.	REV 2 SHEET 1 OF 2
		BURNED ± 1/32					

8 7 6 5 4 3 2 1

D

C

B

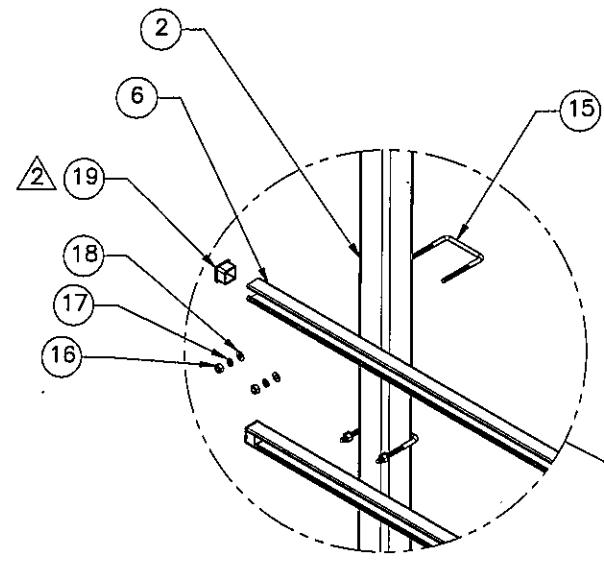
A

D

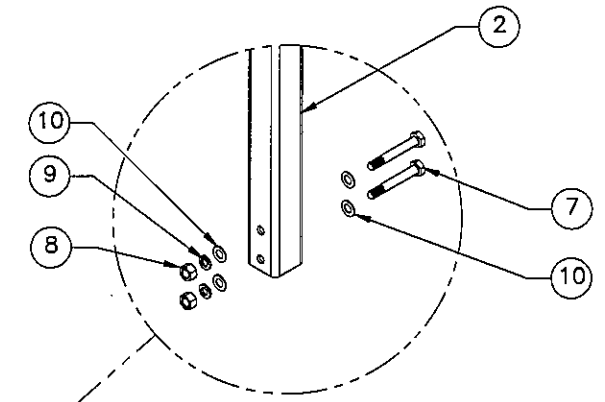
C

B

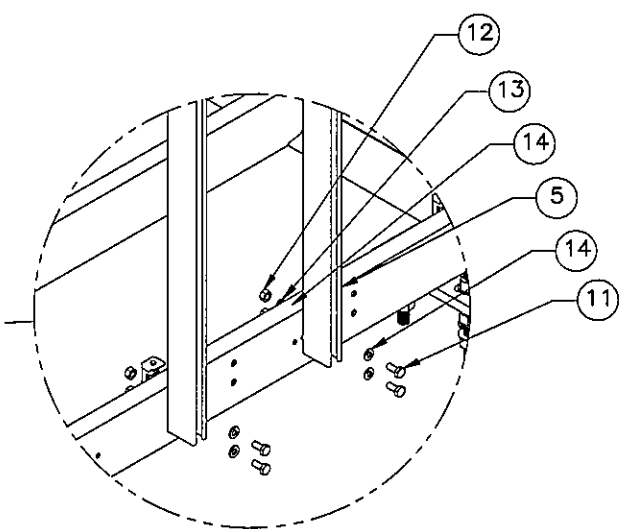
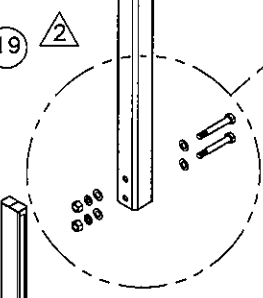
A



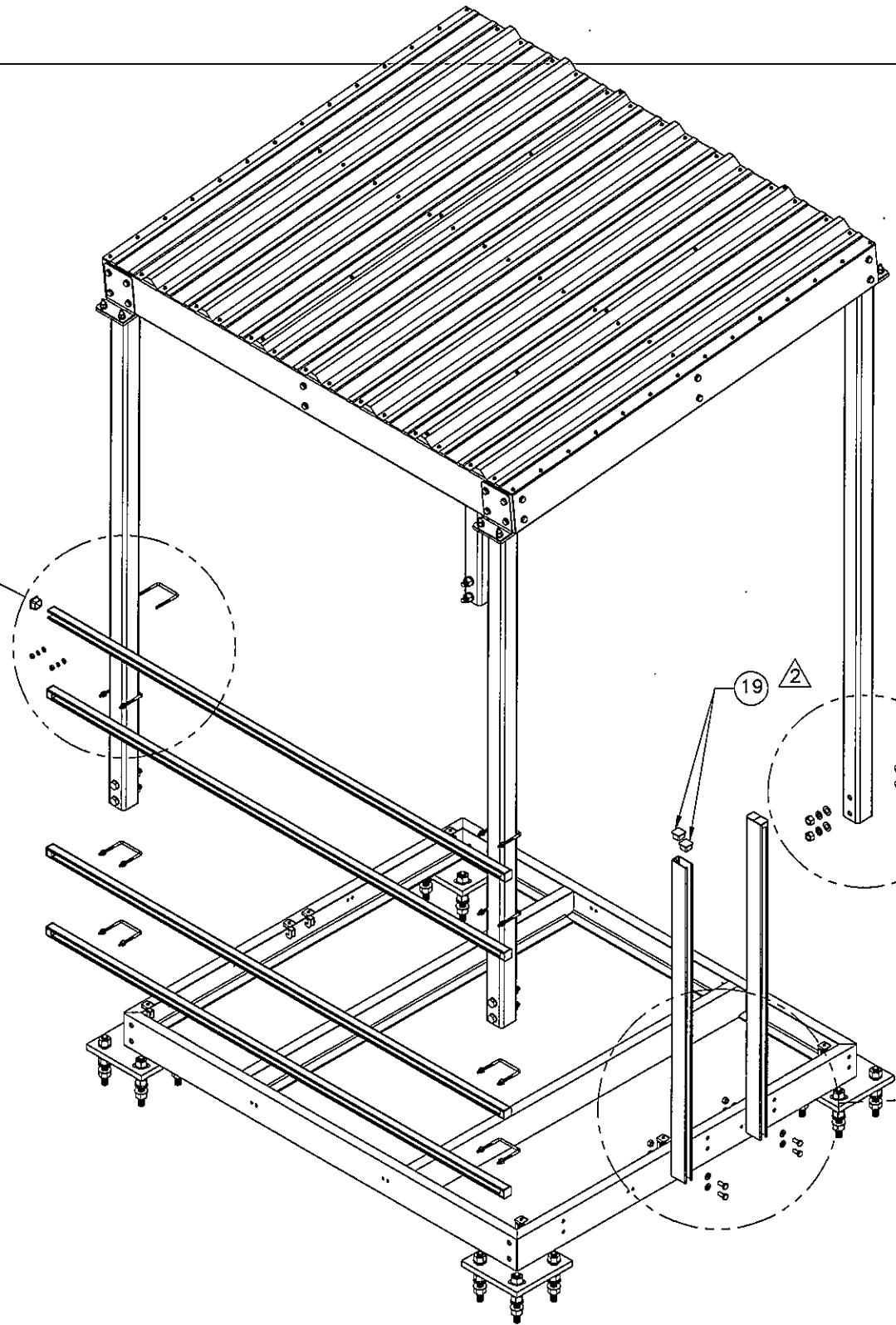
UNISTRUT TO CANOPY CONNECTION TYP.



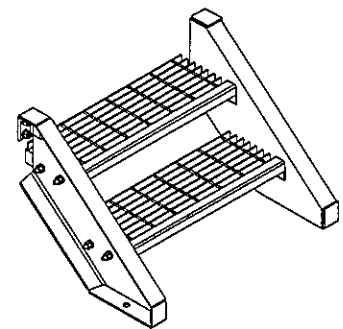
CANOPY CONNECTION TYP.



UNISTRUT TO PLATFORM CONNECTION TYP.



GRATING AND HELICALS HIDDEN FOR CLARITY



8 7 6 5 4 3 2 1

		ELECTRO MECHANICAL INDUSTRIES, INC. 11230 NEESHAW DRIVE HOUSTON, TEXAS 77065 1-800-453-0050	
SIZE	DRAWING NO.	REV	
B	1000-0000-0055	2	
SCALE: 1:24			SHEET 2 OF 2