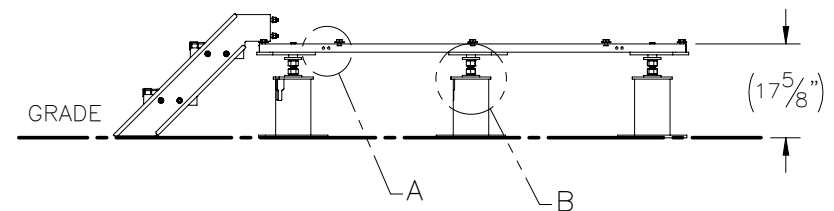
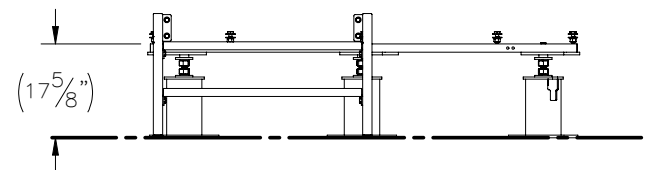
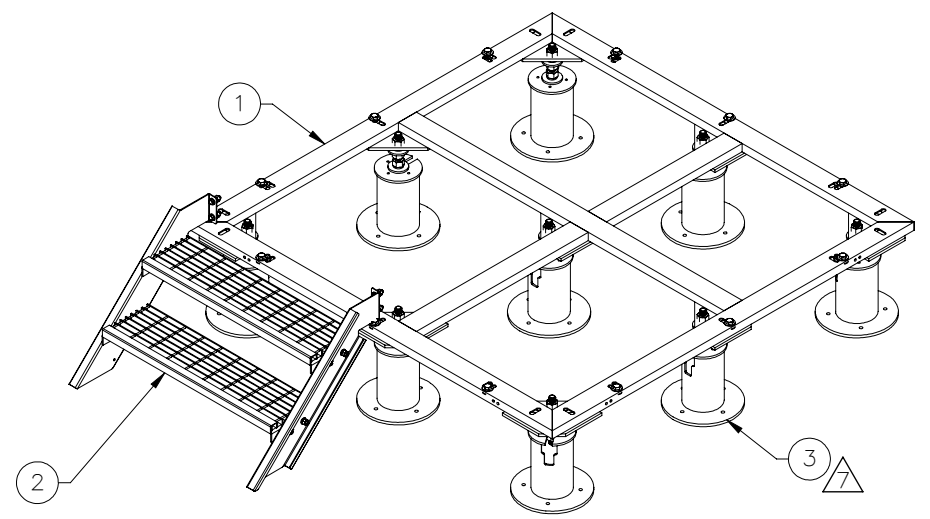
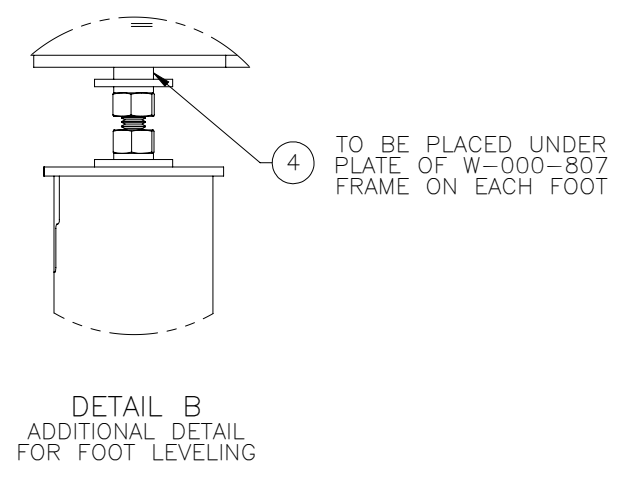
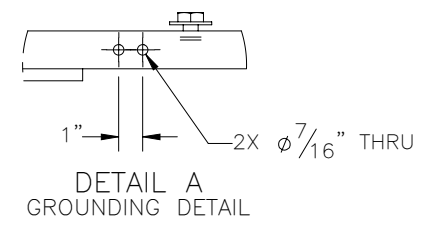
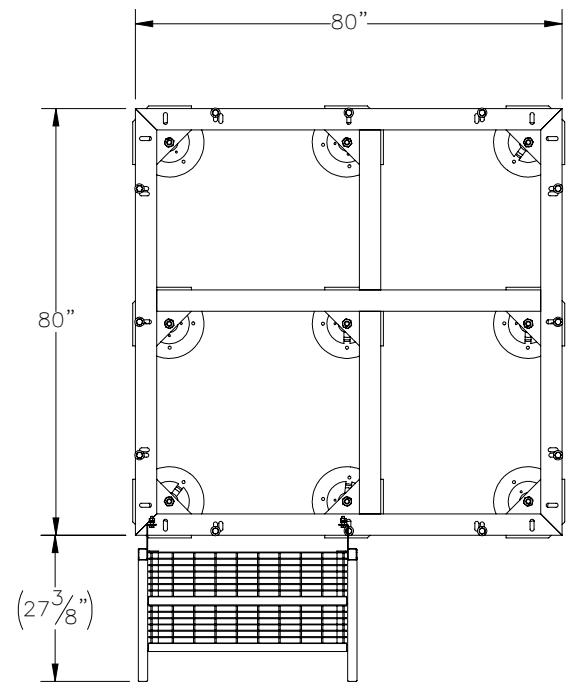

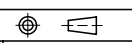


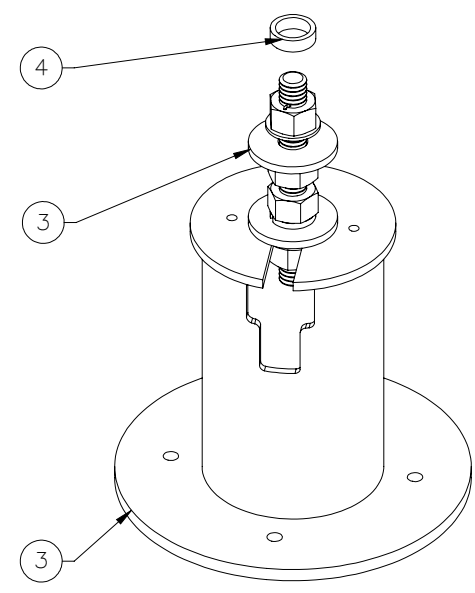
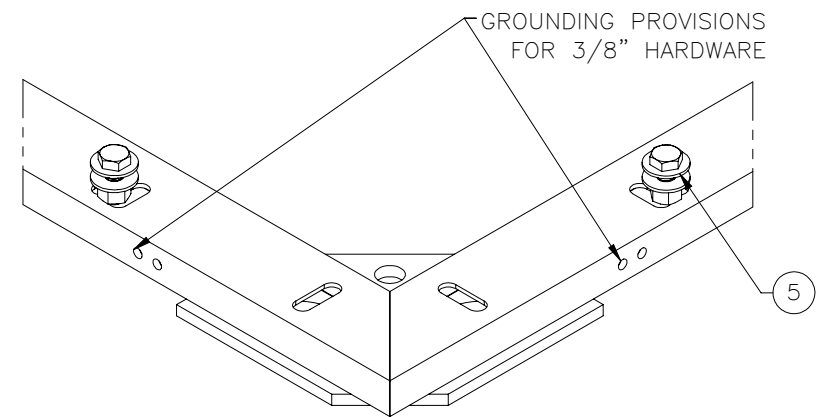
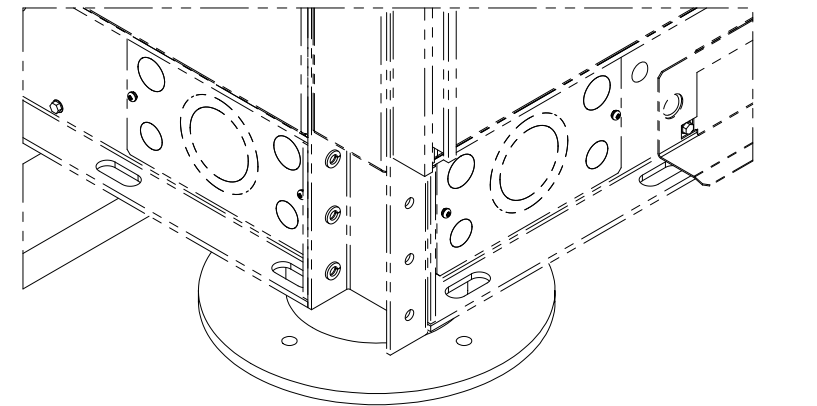
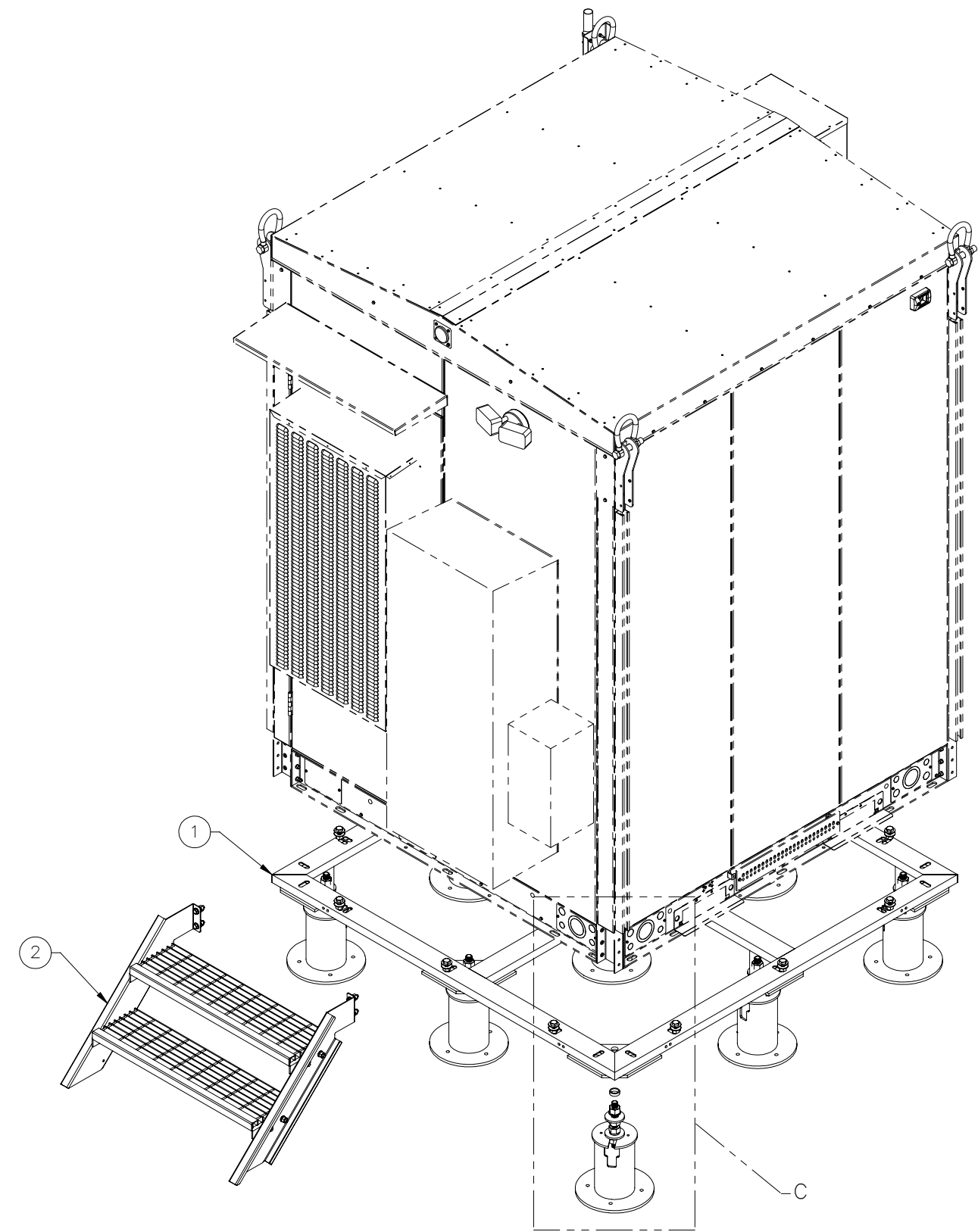
THE INFORMATION CONTAINED IN THIS DRAWING IS THE SOLE PROPERTY OF ELECTRO MECHANICAL INDUSTRIES, INC. ANY REPRODUCTION IN PART OR WHOLE WITHOUT THE WRITTEN PERMISSION OF ELECTRO MECHANICAL IND., IS PROHIBITED.

REVISIONS					
REV.	DCN #	DESCRIPTION	DATE	BY	APPROVED
7	01043	UPDATED GRAVITY FEET	05.28.2021	BLH	JPB



ITEM NO.	QTY REQD	PART NUMBER	DESCRIPTION	LENGTH	WEIGHT
1	1	W-000-807	GRAVITY MOUNT FRAME, WIC		299.2
2	1	1003-0000-0016	2-STEP STAIRS KIT, 45 DEGREE		82.2
3	9	1008-0010-0013	11-3/8" FOOT AND HARDWARE ASSY., 1" HARDWARE		40.7
4	9	P-004-305	1.25" X 0.5" PIPE SPACER	1/2"	0.12
5	1	1000-0020-0065	WIC ATTACHING HARDWARE KIT		4

SURFACE FINISH <input checked="" type="checkbox"/> UNLESS OTHERWISE SPECIFIED		UNLESS OTHERWISE SPECIFIED DIMENSIONS ARE IN INCHES		APPROVALS		DATE		 ELECTRO MECHANICAL INDUSTRIES, INC. 11230 NEESEHAW DRIVE HOUSTON, TEXAS 77065 1-800-453-0050	
MATERIAL SEE PARTS LIST		TOLERANCES		DRAWN		5.14.18			
THIRD ANGLE PROJECTION 		.0 ± .06 .00 ± .01 .000 ± .005		CHECKED		5.14.18		TITLE: ATT WIC STAIR AND FOOT KIT	
NEXT ASSY		FRACTIONS ± 1/16		ENGINEER/DESIGNER		5.14.18			
USED ON		ANGLES ± .25°		J. BUSHMAN		5.14.18			
APPLICATIONS		HOLES: DRILLED OR PUNCHED ± 1/32		PRODUCTION		5.14.18		SIZE B DRAWING NO. 1000-0000-0103 REV 7	
		BURNED ± 1/32		J. SUNDERLAND				SCALE: 1:36 WEIGHT: 753 lbs. SHEET 1 OF 2	



DETAIL C