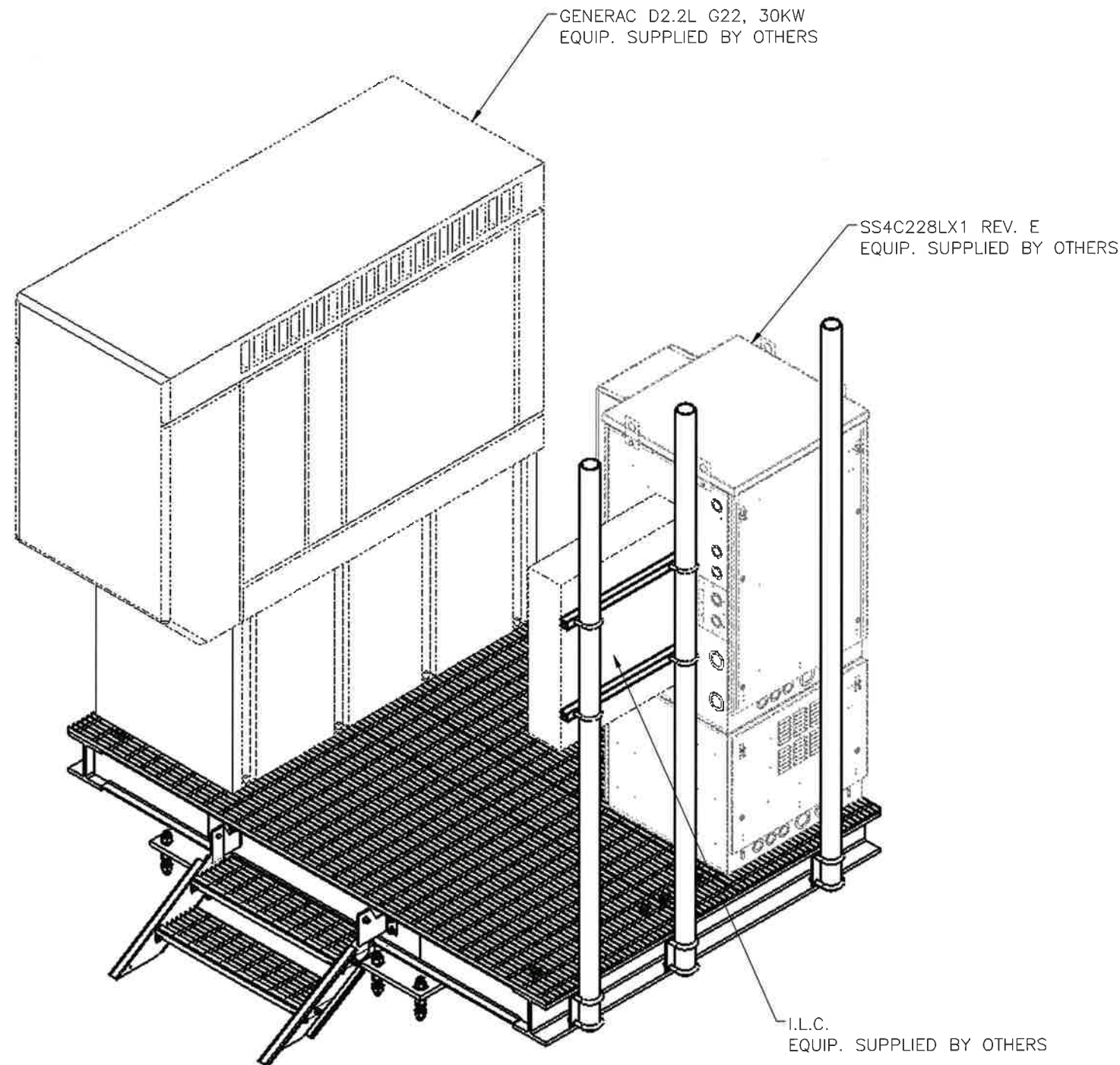


THE INFORMATION CONTAINED IN THIS DRAWING IS THE SOLE PROPERTY OF ELECTRO MECHANICAL INDUSTRIES, INC. ANY REPRODUCTION IN PART OR WHOLE WITHOUT THE WRITTEN PERMISSION OF ELECTRO MECHANICAL IND., IS PROHIBITED.

KMB DESIGN GROUP, LLC
 1800 ROUTE 34, SUITE 209
 WALL, NJ 07719
 (732) 280-5623

Stephen A. Bray
 PROFESSIONAL ENGINEER
 AK LICENSE: 105855



Note: This platform is only suitable for slab-on-grade foundation in the Kodiak area

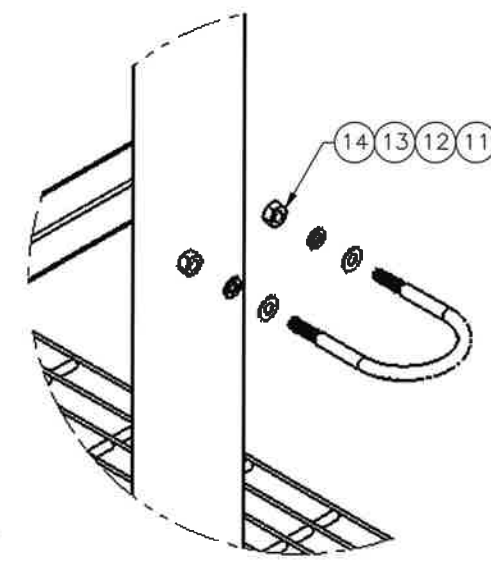
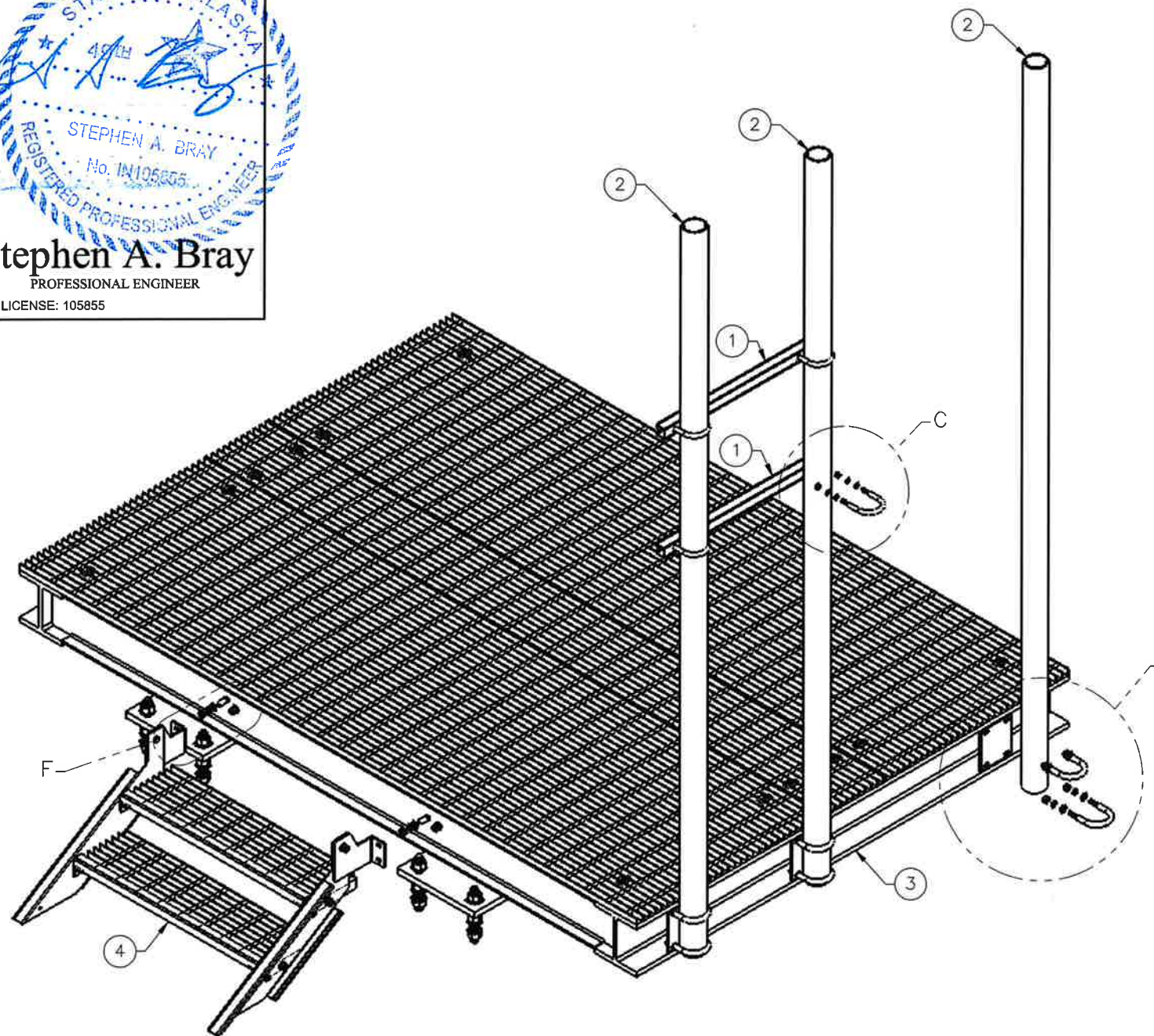
ITEM NO.	QTY REQD	PART NUMBER	DESCRIPTION	LENGTH	WEIGHT
1	2	1000-0000-0171_1	1-5/8" SLOTTED HEAVY STRUT CHANNEL, GALV., (P1100T)	32"	5.06
2	3	1000-0000-0171_2	PIPE, 3.0 INCH, SCH 40, ASTM A500 GR B STL, GALV.	122"	76.61
3	1	1001-0020-0116	8' X 10' PLATFORM		2114
4	1	1003-0000-0071	STAIR, 36" WIDE, 2 TREAD		81.10
5	4	1000-0020-0077	QUAD MOUNT LEVELING HARDWARE KIT		15.17
6	6	002-00U-G021	U-BOLT 1/2"-13 X 3-1/2" ID X 5"HT X 1-1/2" THD LGTH A307 HDG		0.087
7	4	002-0BG-0050	BOLT, HX HD, .500-13UNC, 1.50 LG, GR 5, GALV		0.13
8	16	002-0NG-0010	NUT, HEX, .500-13UNC, GR 2H, GALV		0.06
9	16	002-0LW-G002	WASHER, SPLIT LOCK, .500", GALV		0.01
10	16	002-0FW-G002	WASHER, FLAT, .500", F436, GALV		0.02
11	4	002-00U-G032	U-BOLT, .375"-16 X 5.00 X 3.50 I.D., GALV.		0.379
12	8	002-0FW-G005	WASHER, FLAT, .375, GALV		0.01
13	8	002-0LW-G005	WASHER, SPLIT LOCK, .375 INCH, GALV.		0.01
14	8	002-0NG-0003	NUT, HEX, .375-16UNC, GR 2H, GALV		0.03

SURFACE FINISH <input checked="" type="checkbox"/> UNLESS OTHERWISE SPECIFIED		UNLESS OTHERWISE SPECIFIED DIMENSIONS ARE IN INCHES		APPROVALS		DATE		ELECTRO MECHANICAL INDUSTRIES, INC. 11230 NEESEAW DRIVE HOUSTON, TEXAS 77065 1-800-453-0050	
MATERIAL SEE PARTS LIST		TOLERANCES		DRAWN P. GUTIERREZ		12/16/2020		TITLE:	
THIRD ANGLE PROJECTION		.0 ±.06 .00 ±.015 .000 ±.005		CHECKED B. HUTSON		12/17/2020		8' X 10' EQUIPMENT PLATFORM	
		FRACTIONS ± 1/16		ENGINEER/DESIGNER J. BREEN		12/9/2020			
		ANGLES ± .25°		PRODUCTION J.K.S.		12/21/2020		SIZE B DRAWING NO. 1000-0000-0171 REV -	
NEXT ASSY		DRILLED OR PUNCHED ± 1/32		APPLICATIONS		BURNED ± 1/32		SCALE: 1:4 WEIGHT: 2500 lbs. SHEET 1 OF 4	

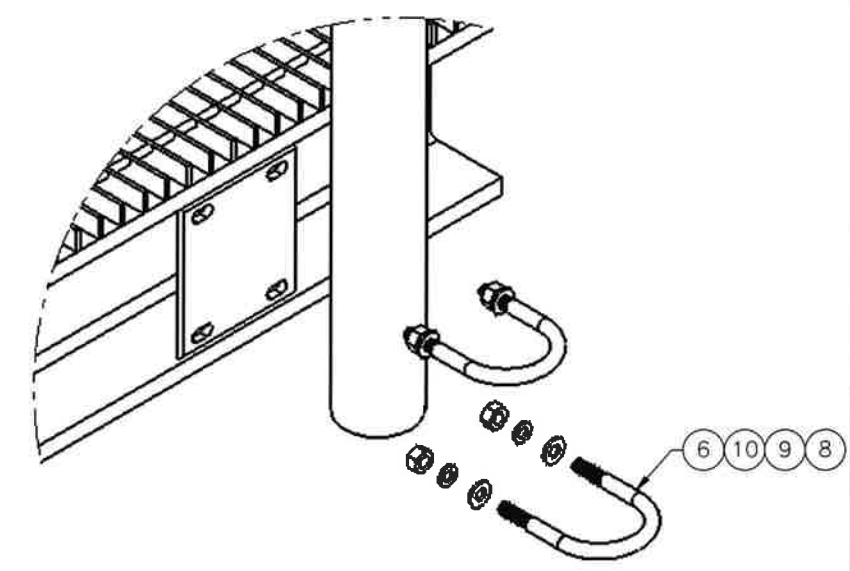
KMB DESIGN GROUP, LLC
 1800 ROUTE 34, SUITE 209
 WALL, NJ 07719
 (732) 280-5623



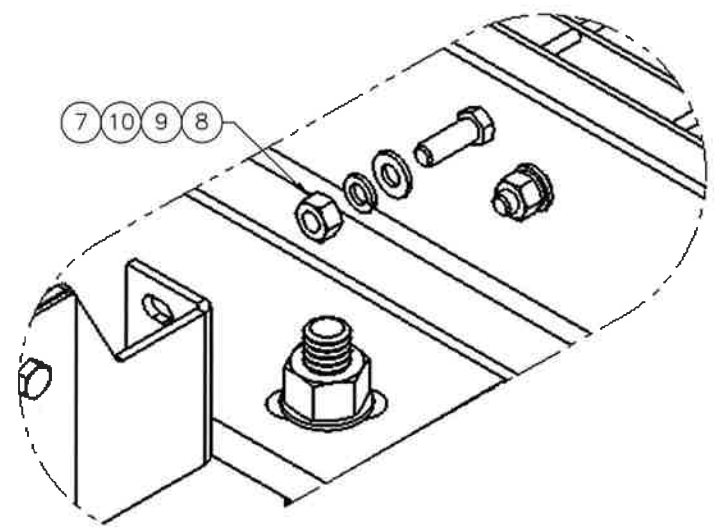
Stephen A. Bray
 PROFESSIONAL ENGINEER
 AK LICENSE: 105855



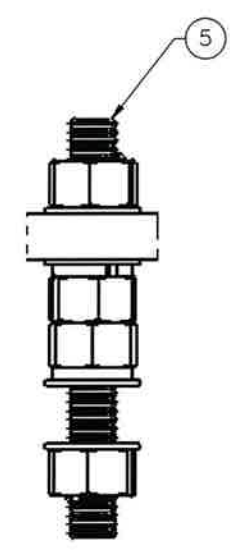
DETAIL C
UNISTRUT CONNECTION



DETAIL D
POLE CONNECTION



DETAIL F
STEP CONNECTION



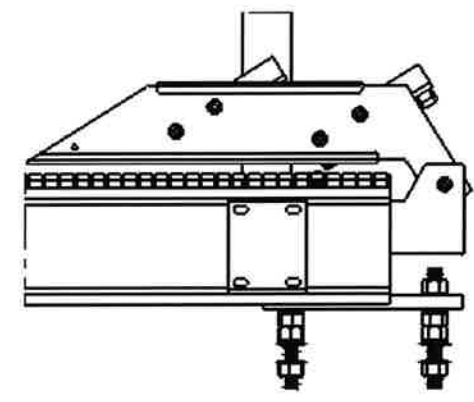
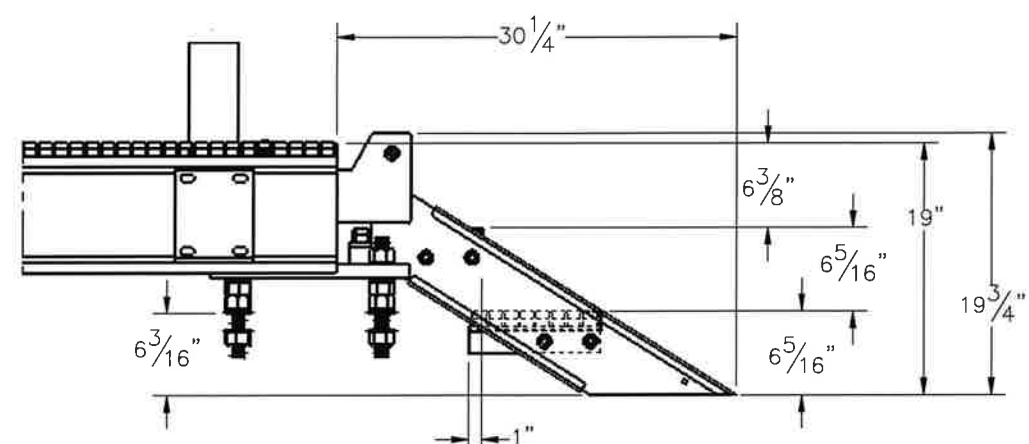
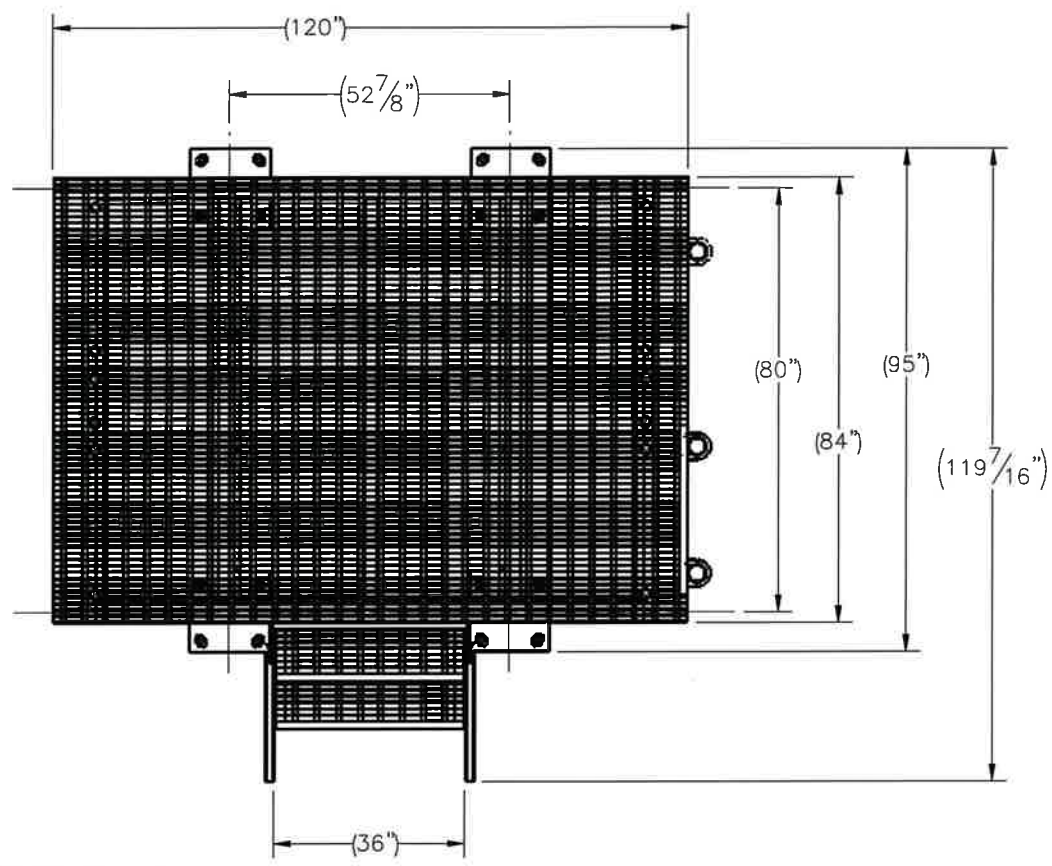
DETAIL E
LEVELING HARDWARE

		ELECTRO MECHANICAL INDUSTRIES, INC. 11230 NEEDHAM DRIVE HOUSTON, TEXAS 77065 1-800-453-0050	
SIZE	DRAWING NO.	REV	
B	1000-0000-0171	-	
SCALE: 1:20			SHEET 2 OF 4

8 7 6 5 4 3 2 1

D
C
B
A

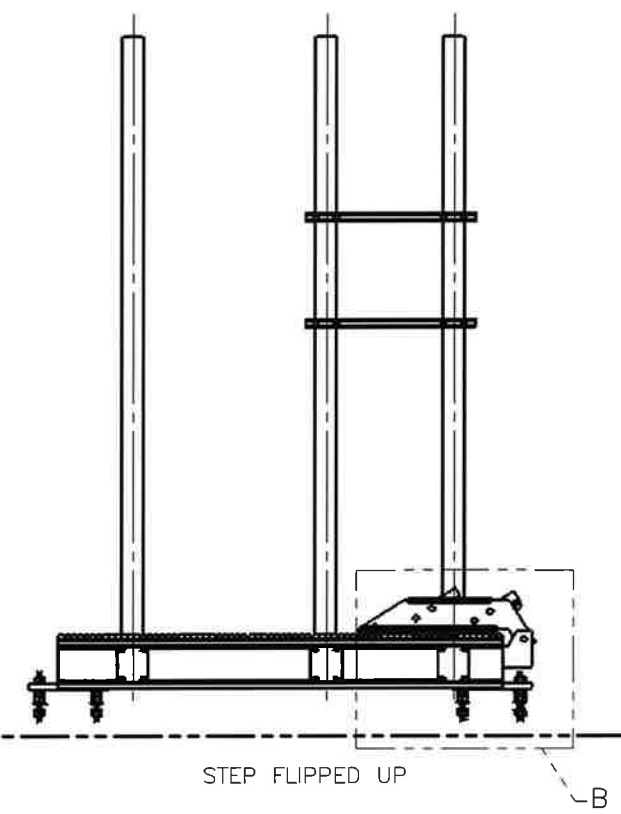
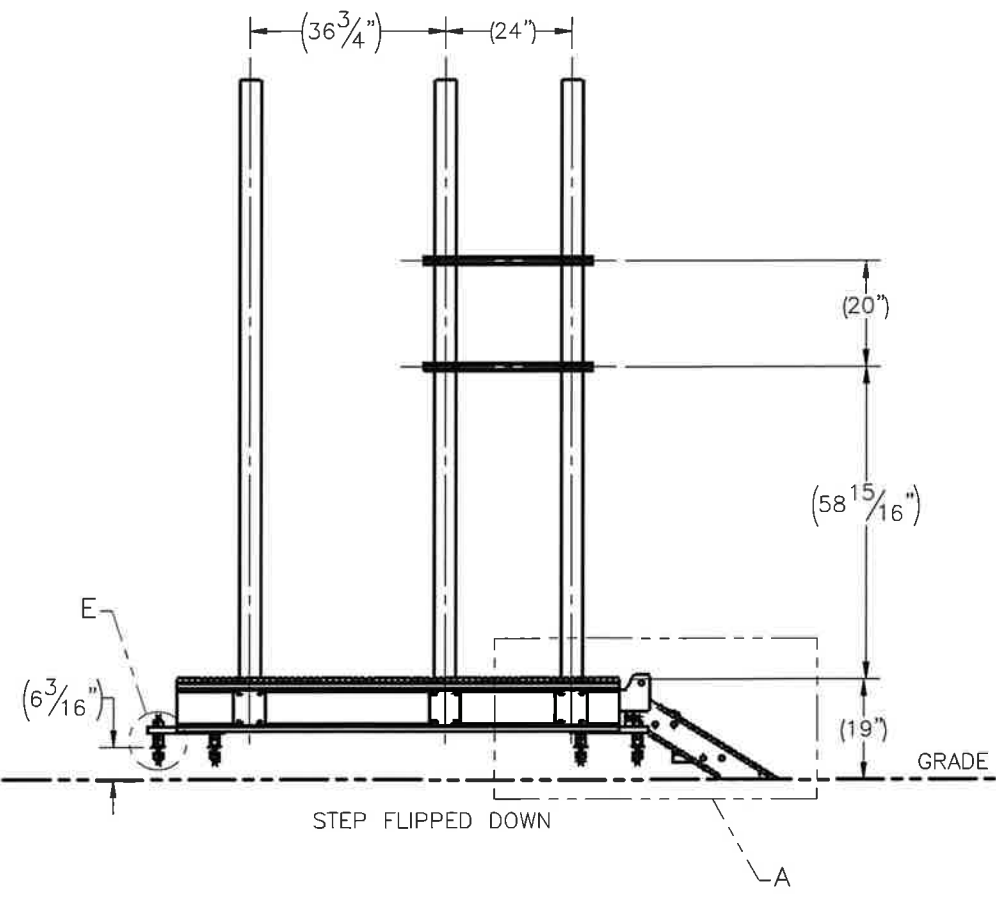
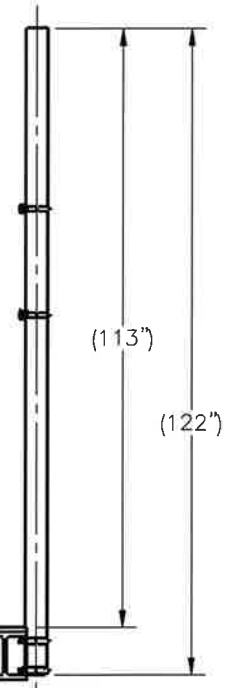
D
C
B
A



KMB DESIGN GROUP, LLC
1800 ROUTE 34, SUITE 209
WALL, NJ 07719
(732) 280-5623

STEPHEN A. BRAY
REGISTERED PROFESSIONAL ENGINEER
No. IN105855

Stephen A. Bray
PROFESSIONAL ENGINEER
AK LICENSE: 105855

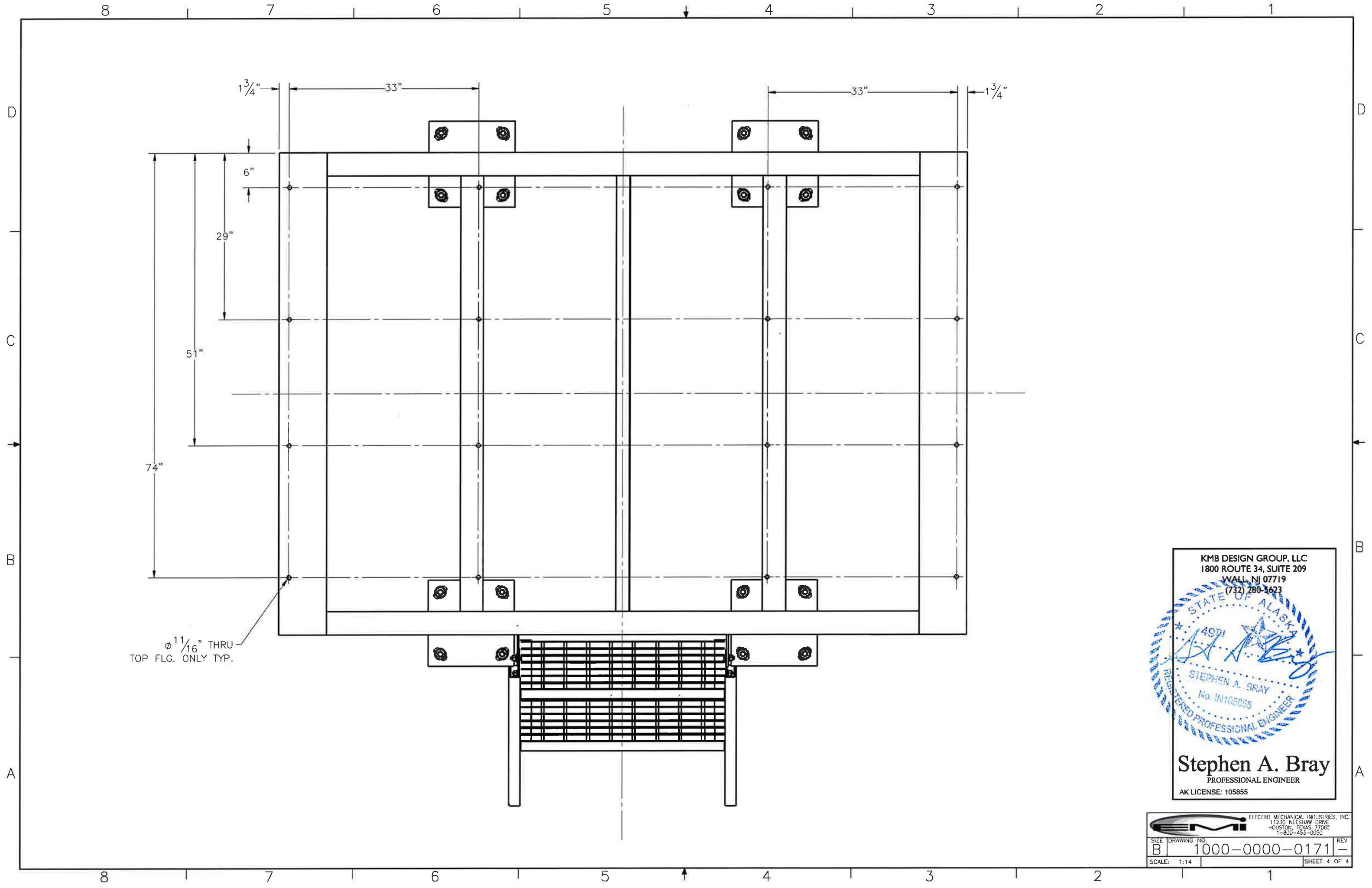


8 7 6 5 4 3 2 1

ELECTRO MECHANICAL INDUSTRIES, INC.
11230 NEEDHAM DRIVE
HOUSTON, TEXAS 77065
1-800-453-0050

SIZE (DRAWING NO.)
B 1000-0000-0171 REV -

SCALE: 1:35 SHEET 3 OF 4



KMB DESIGN GROUP, LLC
 1800 ROUTE 34, SUITE 209
 WALL, NJ 07719
 (732) 280-1623

STATE OF ALASKA
 4971
 REGISTERED PROFESSIONAL ENGINEER
 No. IN16055

Stephen A. Bray
 PROFESSIONAL ENGINEER
 AK LICENSE: 105855

ELECTRO MECHANICAL INDUSTRIES, INC.
 11230 NEESAW DRIVE
 HOUSTON, TEXAS 77065
 1-800-453-0050

SIZE	DRAWING NO.	REV
B	1000-0000-0171	-
SCALE: 1:14	SHEET 4 OF 4	