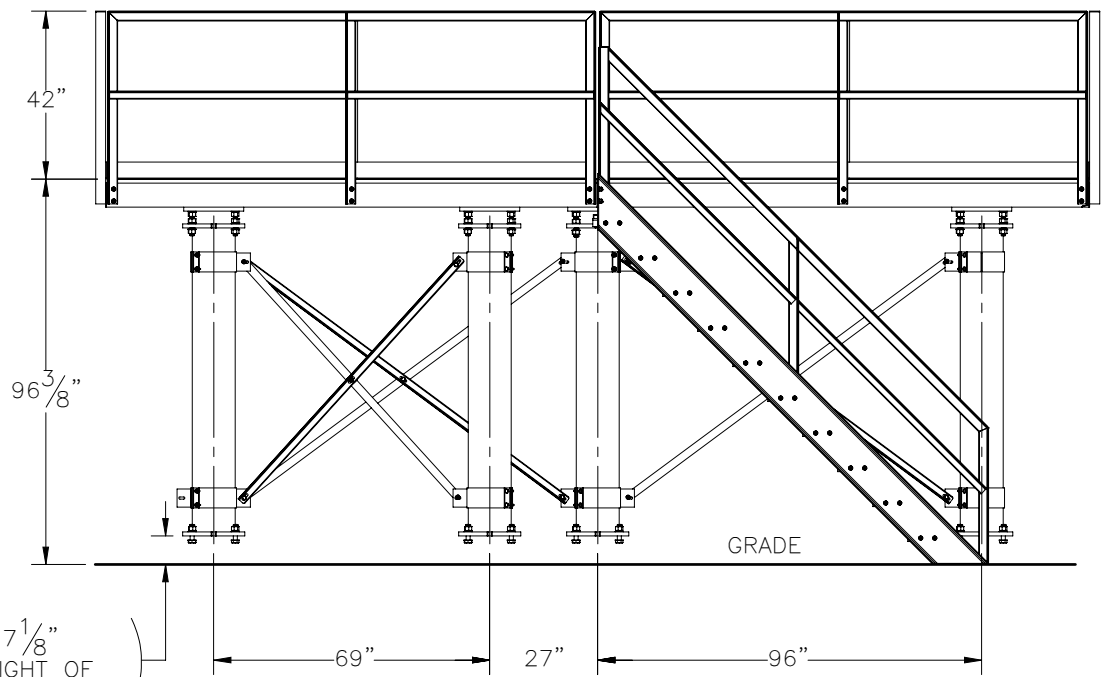
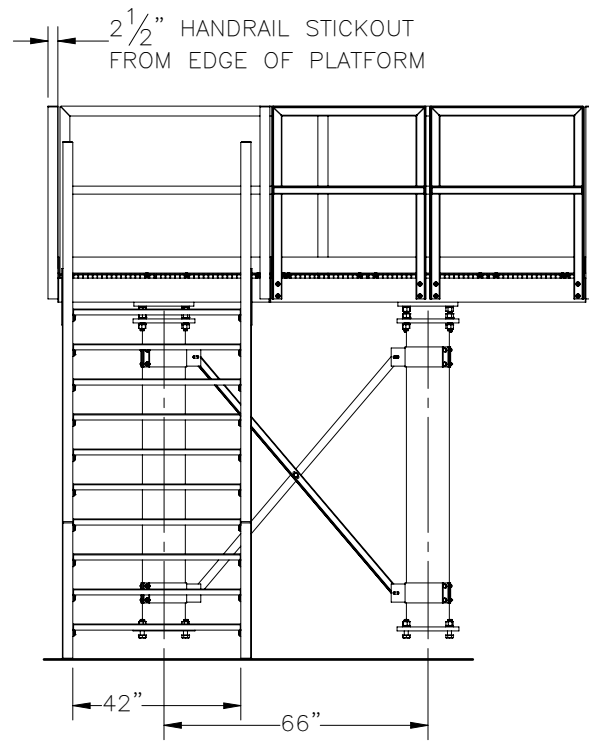
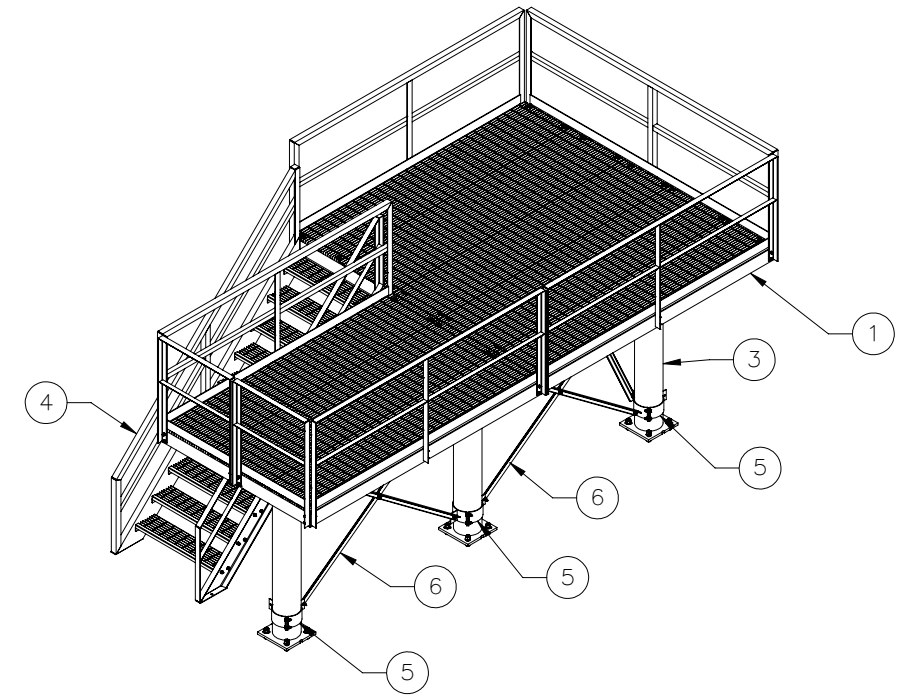
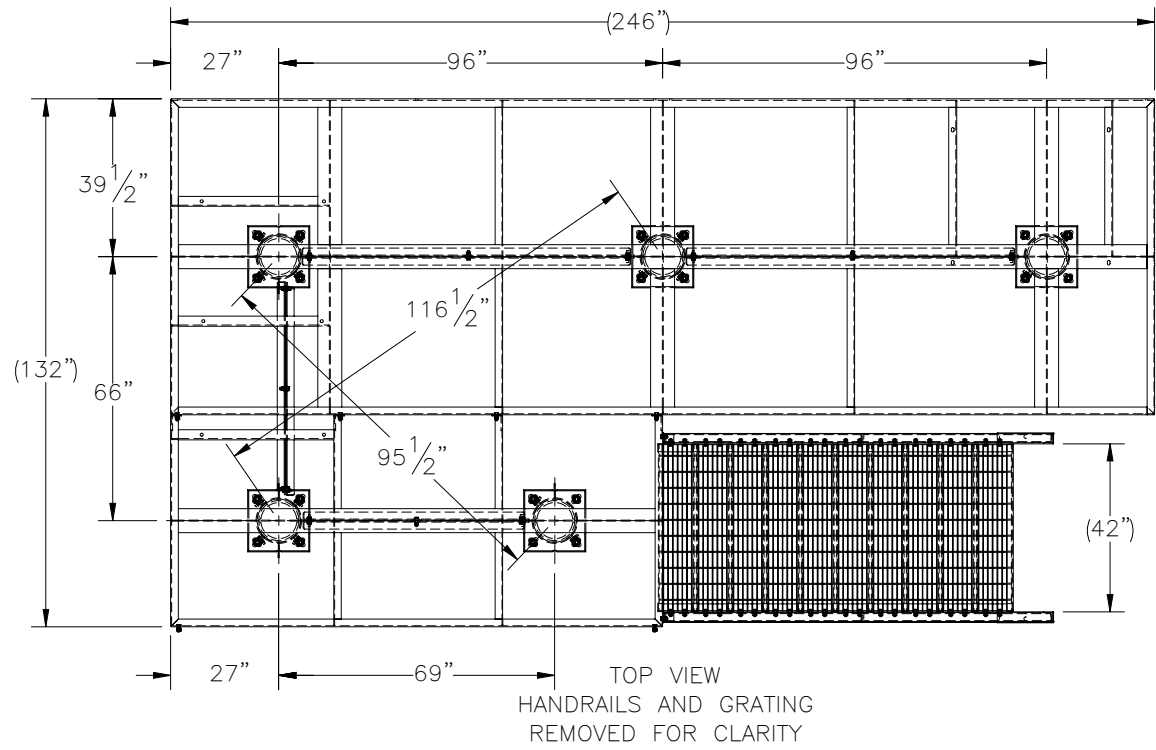

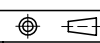


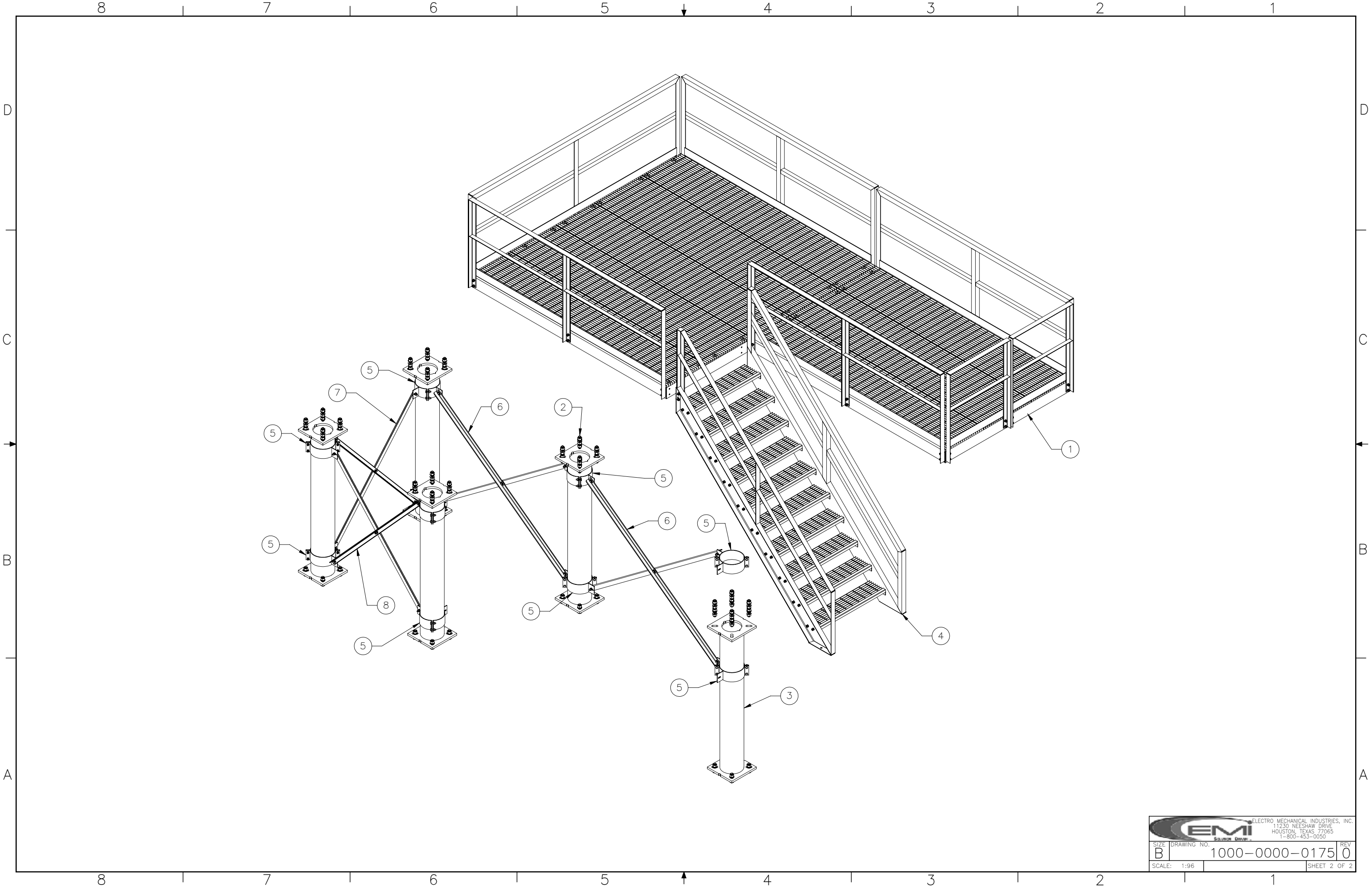
THE INFORMATION CONTAINED IN THIS DRAWING IS THE SOLE PROPERTY OF ELECTRO MECHANICAL INDUSTRIES, INC. ANY REPRODUCTION IN PART OR WHOLE WITHOUT THE WRITTEN PERMISSION OF ELECTRO MECHANICAL IND., IS PROHIBITED.




7 1/8"
HEIGHT OF
CONCRETE PIERS

ITEM NO.	QTY	PART NUMBER	DESCRIPTION	LENGTH	WEIGHT
1	1	1001-0020-0125	132" X 246" EQUIPMENT PLATFORM		4116.36
2	5	1000-0020-0077	QUAD MOUNT LEVELING HARDWARE KIT		15.17
3	5	1007-T010-0780	6.5 FT EXTENSION		357.9
4	1	450-000-0173	10 TREAD STAIR ASSY (42" WIDE)		874.68
5	10	450-000-0001	CROSS BRACING CLAMP ASSEMBLY		17.60
6	2	A-000-454	X BRACE ASSEMBLY 102.0625" LG.		55.09
7	1	A-000-455	X BRACE ASSEMBLY 80.1875" LG.		43.56
8	1	A-000-456	X BRACE ASSEMBLY 82.0625" LG.		44.54

SURFACE FINISH <input checked="" type="checkbox"/> UNLESS OTHERWISE SPECIFIED		UNLESS OTHERWISE SPECIFIED DIMENSIONS ARE IN INCHES		APPROVALS		DATE		 ELECTRO MECHANICAL INDUSTRIES, INC. 11230 NEESESHAW DRIVE HOUSTON, TEXAS 77065 1-800-453-0050	
MATERIAL SEE PARTS LIST		TOLERANCES .0 ± .06 .00 ± .015 .000 ± .005		DRAWN B. HUTSON		2/3/2022			
THIRD ANGLE PROJECTION 		FRACTIONS ± 1/16		CHECKER J. Breen		2/3/2022		TITLE: 132" X 246" EQUIPMENT PLATFORM	
NEXT ASSY		ANGLES ± .25°		ENGINEER J. Breen		2/3/2022			
USED ON		HOLES: DRILLED OR PUNCHED ± 1/32		PRODUCTION J. LEE		2/3/2022		SIZE B DRAWING NO. 1000-0000-0175 REV 0	
APPLICATIONS		BURNED ± 1/32		SCALE: 1:96		WEIGHT: 7230.88 lbs.		SHEET 1 OF 2	



		ELECTRO MECHANICAL INDUSTRIES, INC. 11230 NEESHAW DRIVE HOUSTON, TEXAS 77065 1-800-453-0050	
SIZE	DRAWING NO.	REV	
B	1000-0000-0175	0	
SCALE: 1:96			SHEET 2 OF 2