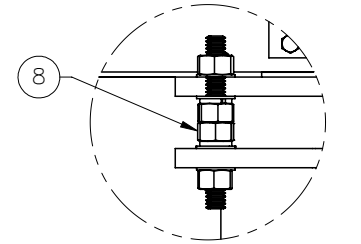
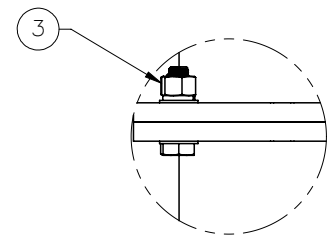


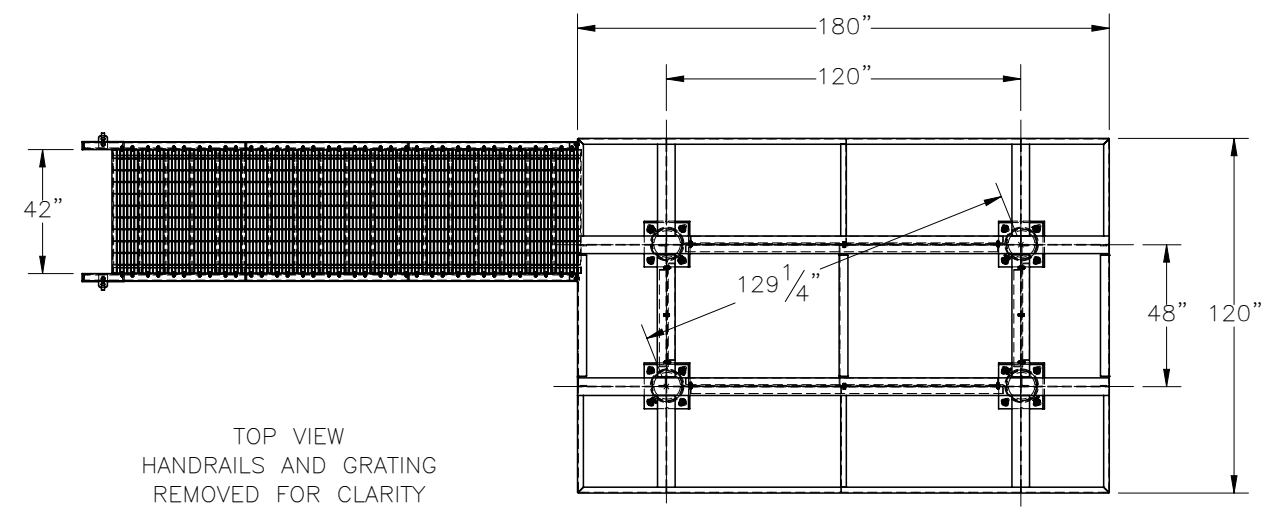
THE INFORMATION CONTAINED IN THIS DRAWING IS THE SOLE PROPERTY OF ELECTRO MECHANICAL INDUSTRIES, INC. ANY REPRODUCTION IN PART OR WHOLE WITHOUT THE WRITTEN PERMISSION OF ELECTRO MECHANICAL IND., IS PROHIBITED.



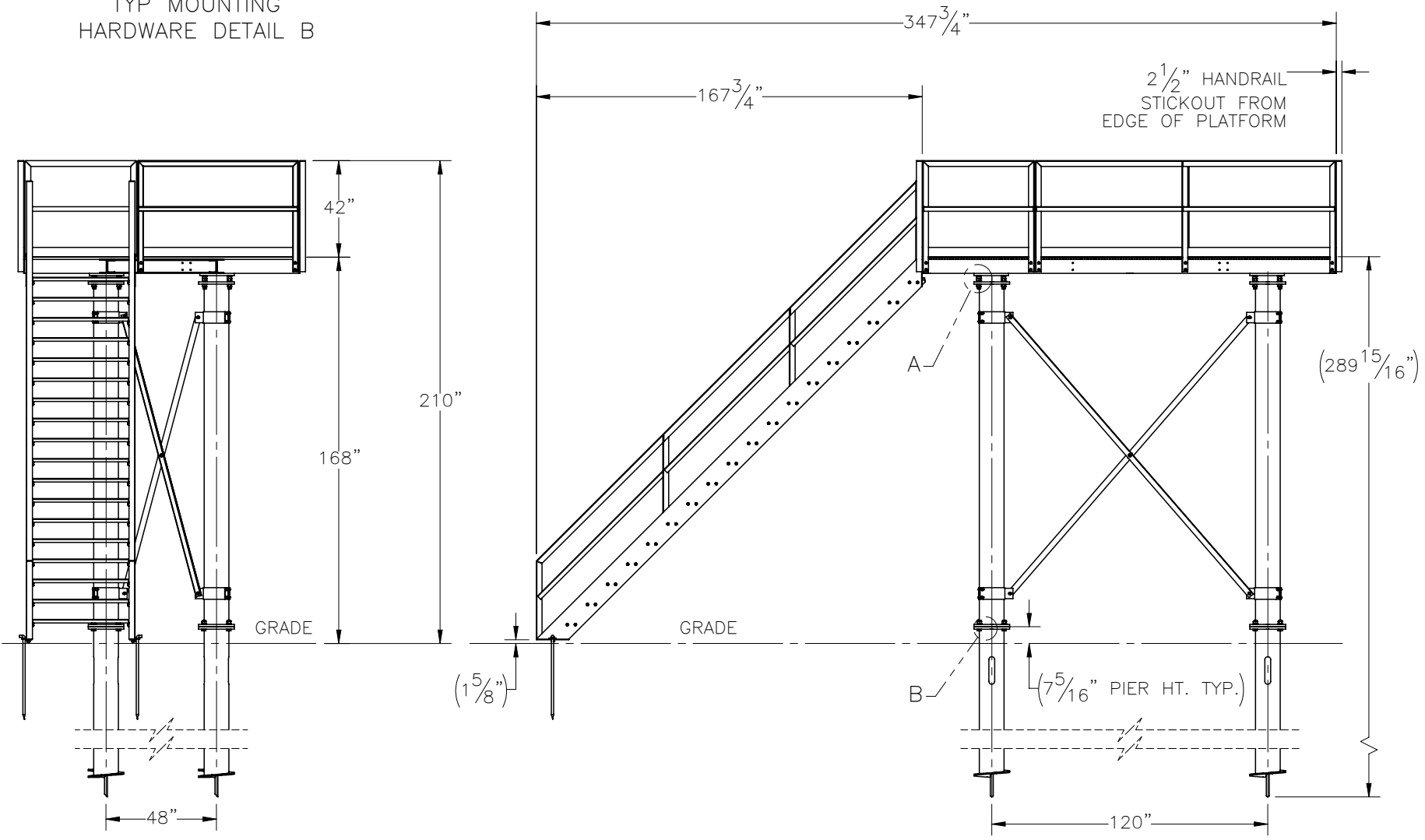
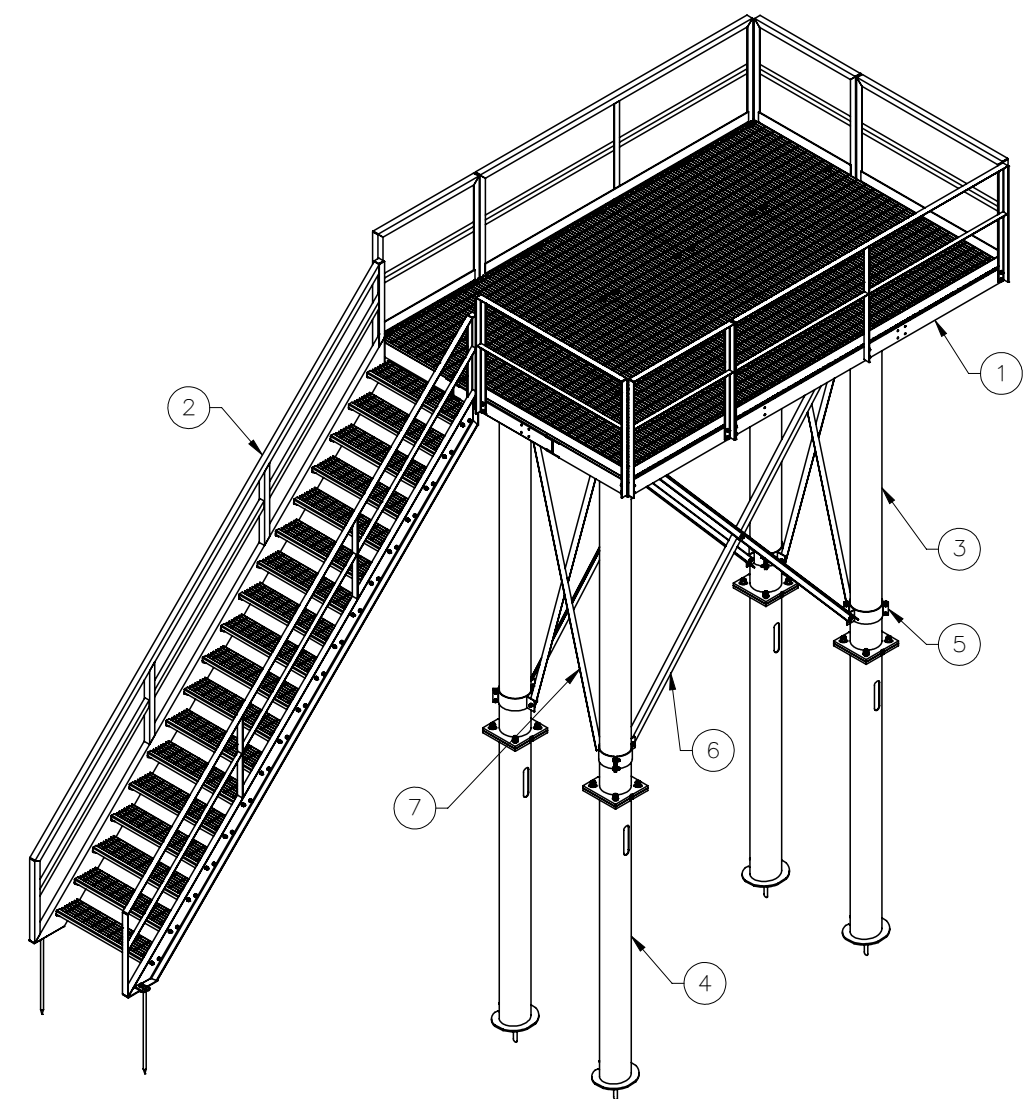
TYP LEVELING HARDWARE DETAIL A




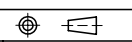
TYP MOUNTING HARDWARE DETAIL B

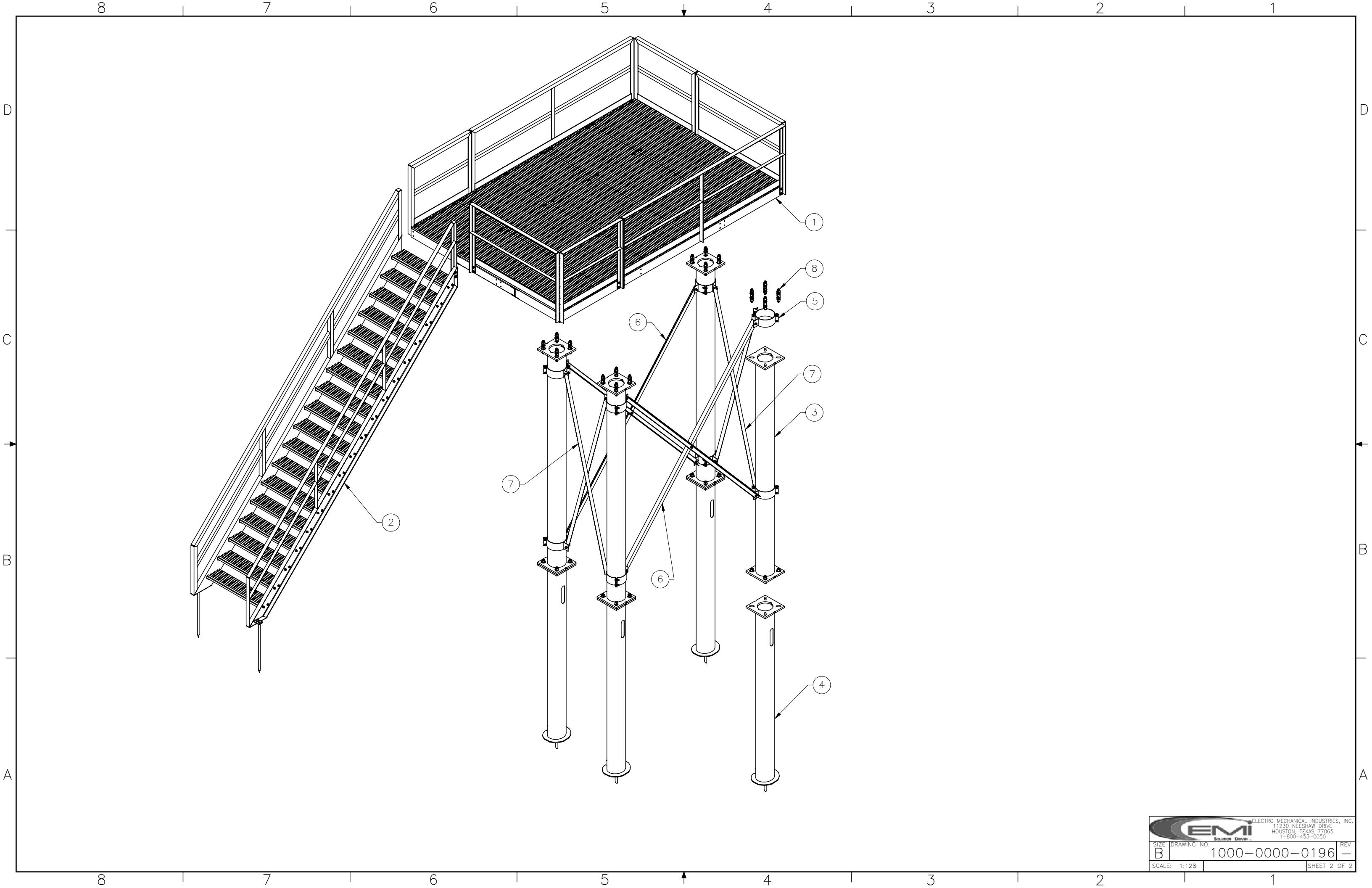



TOP VIEW HANDRAILS AND GRATING REMOVED FOR CLARITY



ITEM NO.	QTY REQD	PART NUMBER	DESCRIPTION	LENGTH	WEIGHT
1	1	1001-0020-0141	10' X 15' EQUIPMENT PLATFORM		3242
2	1	450-000-0233	STAIR ASSY (42" WIDE), 18 TREAD		1526.6
3	4	1007-T010-1500	12.5 FT EXTENSION		601.7
4	4	400-000-1001	10" X 10', 1" BASE, 1" HDW. - HELICAL PIER		347
5	8	450-000-0001	CROSS BRACING CLAMP ASSEMBLY		17.60
6	2	A-000-590	X BRACE ASSEMBLY 161.375" LG.		109.3
7	2	A-000-591	X BRACE ASSEMBLY 126.75" LG.		86.2
8	4	1000-0020-0077	QUAD MOUNT LEVELING HARDWARE KIT		15

SURFACE FINISH <input checked="" type="checkbox"/> UNLESS OTHERWISE SPECIFIED		UNLESS OTHERWISE SPECIFIED DIMENSIONS ARE IN INCHES		APPROVALS		DATE		 ELECTRO MECHANICAL INDUSTRIES, INC. 11230 NEESEHAW DRIVE HOUSTON, TEXAS 77065 1-800-453-0050	
MATERIAL SEE PARTS LIST		TOLERANCES .0 ±.06 .00 ±.015 .000 ±.005 FRACTIONS ± 1/16 ANGLES ±.25° HOLES: DRILLED OR PUNCHED +1/32 BURNED ±1/32		DRAWN J. ROACH 4/19/2022		DATE 4/19/2022			
THIRD ANGLE PROJECTION 		NEXT ASSY USED ON APPLICATIONS		CHECKER C. SANCHEZ 4/19/2022		ENGINEER J. Breen 4/20/2022		SIZE B DRAWING NO. 1000-0000-0196 REV - SCALE: 1:65 WEIGHT: 9155 lbs. SHEET 1 OF 2	
PRODUCTION J. LEE 4/20/2022									



		ELECTRO MECHANICAL INDUSTRIES, INC. 11230 NEESHAW DRIVE HOUSTON, TEXAS 77065 1-800-453-0050	
SIZE	DRAWING NO.	REV	
B	1000-0000-0196	-	-
SCALE: 1:128		SHEET 2 OF 2	