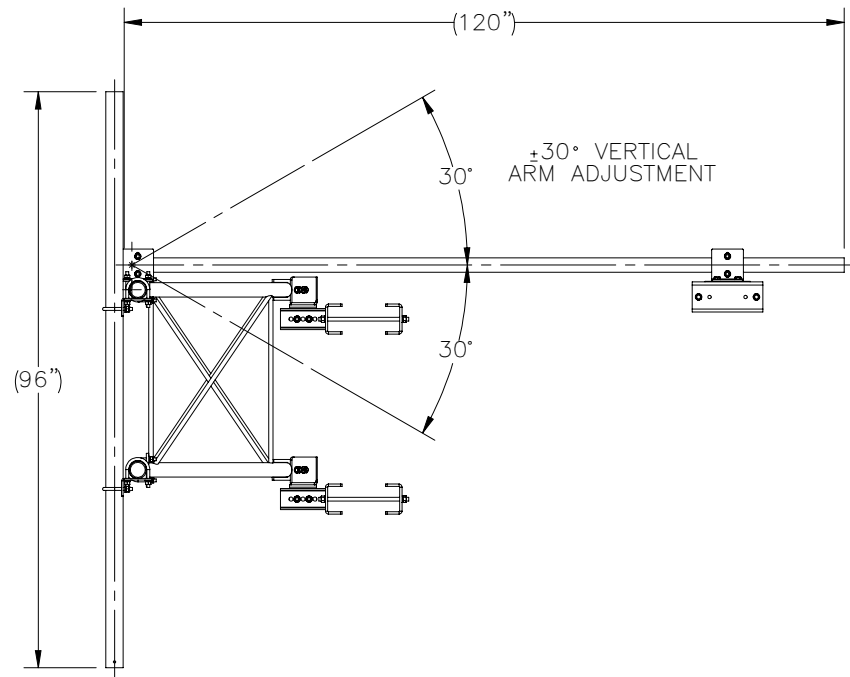
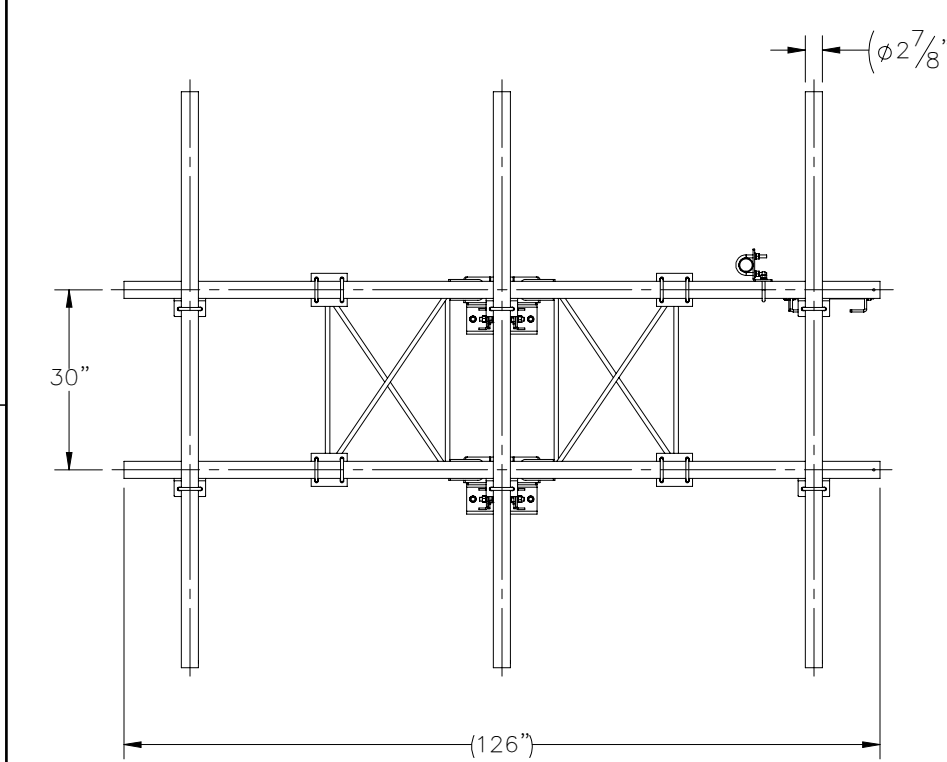
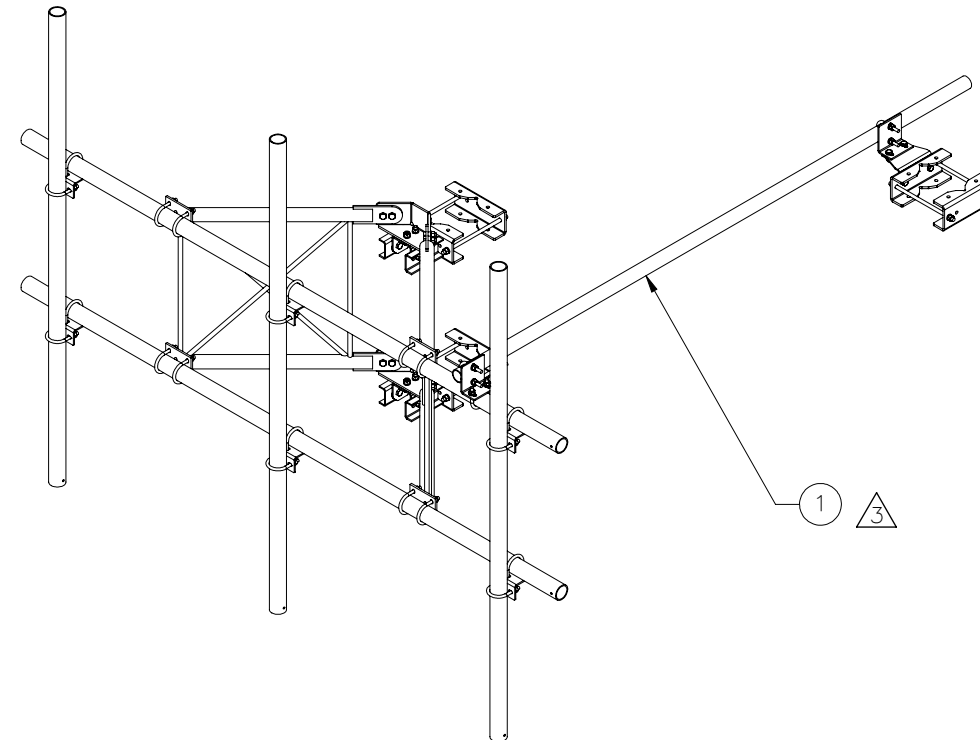
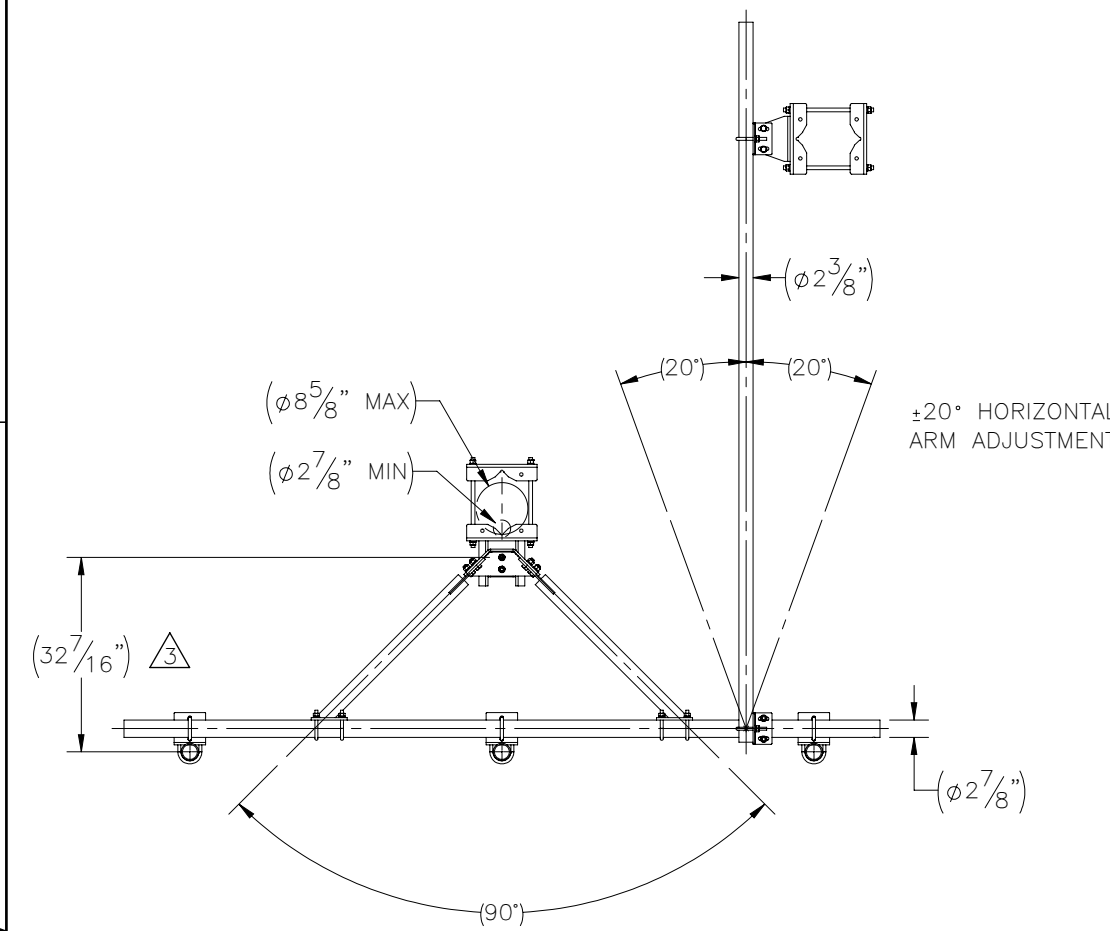


THE INFORMATION CONTAINED IN THIS DRAWING IS THE SOLE PROPERTY OF ELECTRO MECHANICAL INDUSTRIES, INC. ANY REPRODUCTION IN PART OR WHOLE WITHOUT THE WRITTEN PERMISSION OF ELECTRO MECHANICAL IND., IS PROHIBITED.

REVISIONS					
REV.	DCN #	DESCRIPTION	DATE	BY	APPROVED
3	01226	CONVERTED TO SHELL PART NUMBER USING 1012-00,10-2371. (126") WAS 120", (32-7/16") WAS 32-5/8".	03/07/2023	JTR	JPB



ITEM NO.	QTY REQD	PART NUMBER	DESCRIPTION	LENGTH	WEIGHT
$\triangle 3$ 1	1	1012-0010-2371	SECTOR FRAME, 10'-6" X 8' SINGLE FACE, 3 VERT. ANTENNA SUPPORTS		559.99

SURFACE FINISH	UNLESS OTHERWISE SPECIFIED	UNLESS OTHERWISE SPECIFIED DIMENSIONS ARE IN INCHES	APPROVALS	DATE
MATERIAL	SEE PARTS LIST	TOLERANCES	DRAWN	2/28/2023
THIRD ANGLE PROJECTION	$\triangle 3$.0	J. ROACH	
		.00	B. HUTSON	2/28/2023
		.000	J. Breen	2/28/2023
		FRACTIONS	PRODUCTION	2/28/2023
		ANGLES	J. KERNER	
		HOLES:		
NEXT ASSY	USED ON	DRILLED OR PUNCHED		
		BURNED		

TITLE: SECTOR FRAME, 10'-6" X 8' SINGLE FACE, 3 VERT. ANTENNA SUPPORTS		ELECTRO MECHANICAL INDUSTRIES, INC. 11230 NEESEHAW DRIVE HOUSTON, TEXAS 77065 1-800-453-0050	
SIZE B	DRAWING NO. 1000-0010-0296	REV 3	
SCALE: 1:32	WEIGHT: 559.99 lbs.	SHEET 1 OF 1	