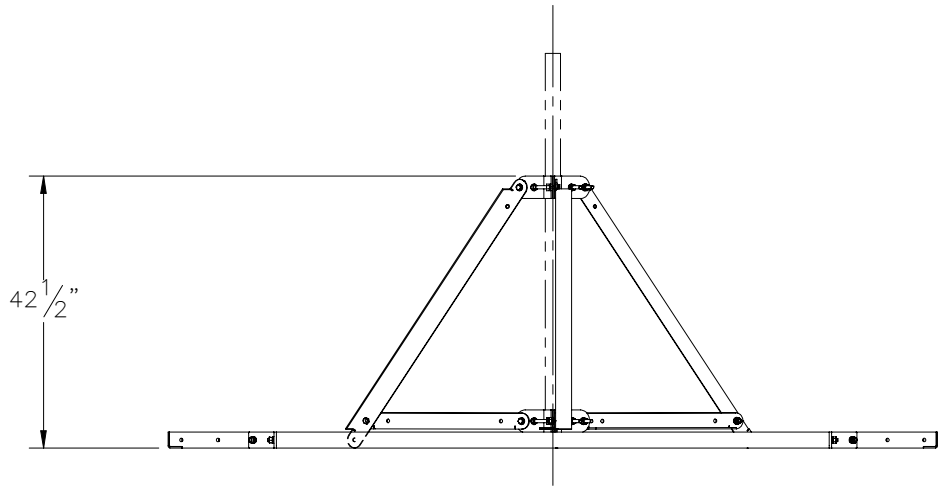
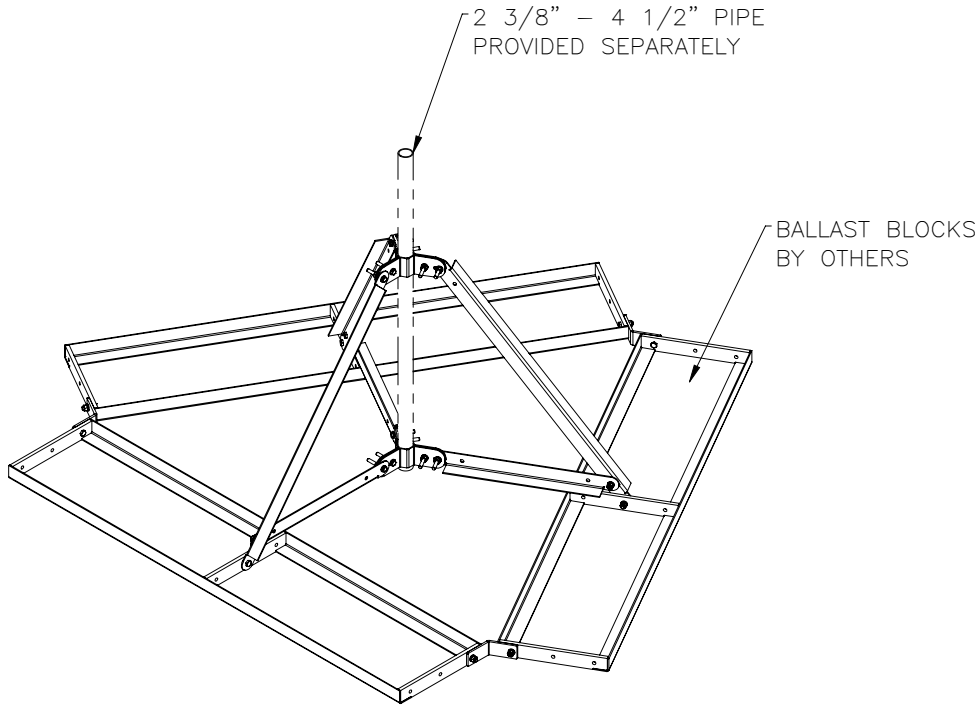
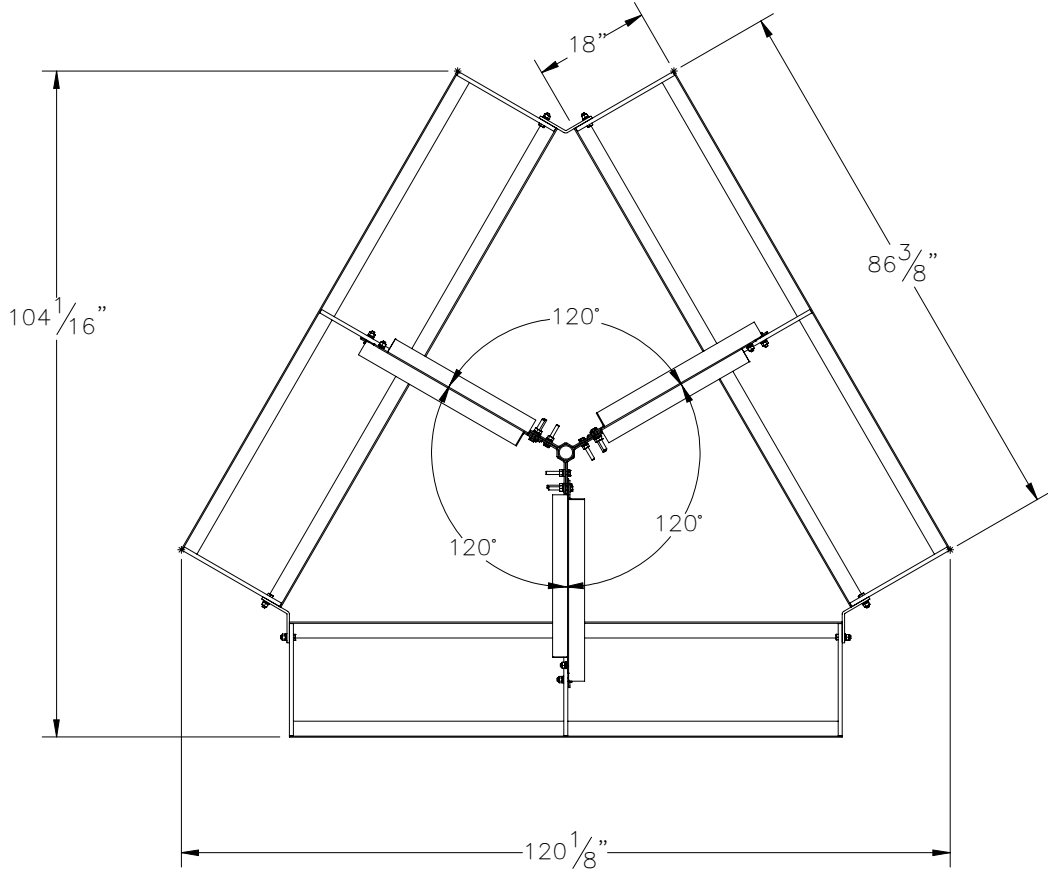

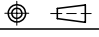


THE INFORMATION CONTAINED IN THIS DRAWING IS THE SOLE PROPERTY OF ELECTRO MECHANICAL INDUSTRIES, INC. ANY REPRODUCTION IN PART OR WHOLE WITHOUT THE WRITTEN PERMISSION OF ELECTRO MECHANICAL IND., IS PROHIBITED.

SALES



SURFACE FINISH <input checked="" type="checkbox"/> UNLESS OTHERWISE SPECIFIED		UNLESS OTHERWISE SPECIFIED DIMENSIONS ARE IN INCHES		APPROVALS	DATE	 ELECTRO MECHANICAL INDUSTRIES, INC. 11230 NEESESHAW DRIVE HOUSTON, TEXAS 77065 1-800-453-0050	
MATERIAL	SEE PARTS LIST	TOLERANCES		DRAWN	8/17/2021	TITLE:	
THIRD ANGLE PROJECTION		.0	± .06	CHECKER		ROOF TOP TRIPOD MOUNT	
		.00	± .015	ENGINEER		SIZE	DRAWING NO.
		.000	± .005	PRODUCTION		B	1000-0010-0298
NEXT ASSY	USED ON	FRACTIONS	± 1/16			SCALE:	1:30
		ANGLES	± .25°			WEIGHT:	279 lbs.
APPLICATIONS		HOLES:					SHEET 1 OF 1
		DRILLED OR PUNCHED	+1/32				
		BURNED	±1/32				