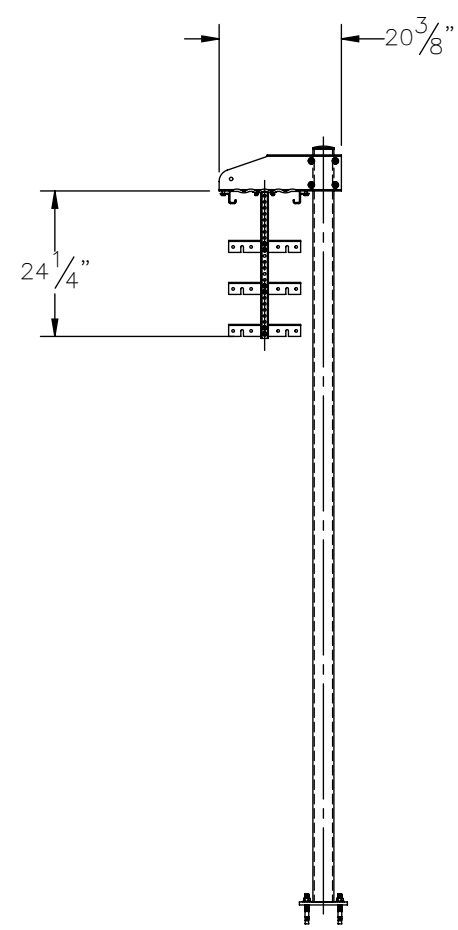
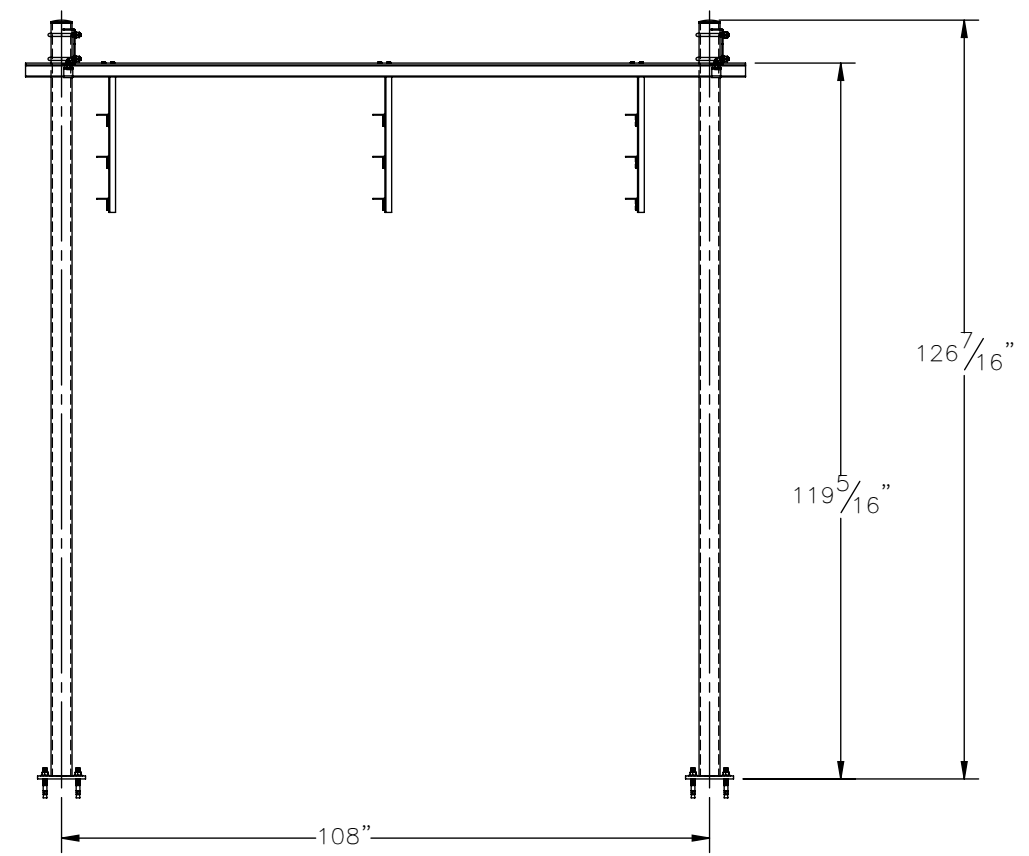
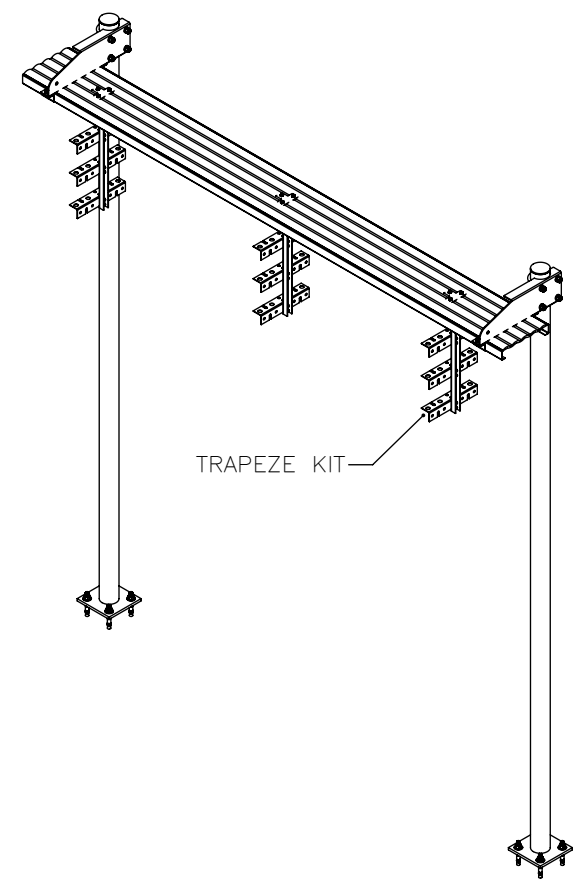
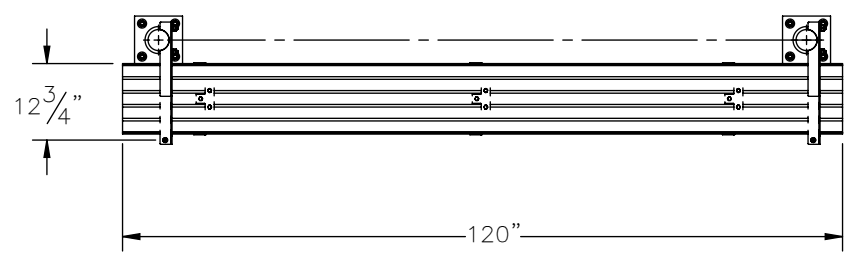

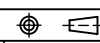


THE INFORMATION CONTAINED IN THIS DRAWING IS THE SOLE PROPERTY OF ELECTRO MECHANICAL INDUSTRIES, INC. ANY REPRODUCTION IN PART OR WHOLE WITHOUT THE WRITTEN PERMISSION OF ELECTRO MECHANICAL IND., IS PROHIBITED.

SALES



SURFACE FINISH <input checked="" type="checkbox"/> UNLESS OTHERWISE SPECIFIED		UNLESS OTHERWISE SPECIFIED DIMENSIONS ARE IN INCHES		APPROVALS	DATE	 ELECTRO MECHANICAL INDUSTRIES, INC. 11230 NEESEAW DRIVE HOUSTON, TEXAS 77065 1-800-453-0050
MATERIAL SEE PARTS LIST		TOLERANCES		DRAWN P. GUTIERREZ	8/18/2021	
THIRD ANGLE PROJECTION 		.0 ± .06 .00 ± .015 .000 ± .005		CHECKER		SIZE B
NEXT ASSY		FRACTIONS ± 1/16 ANGLES ± .25°		ENGINEER		DRAWING NO. 1000-0010-0301
APPLICATIONS		HOLES: DRILLED OR PUNCHED ± 1/32 BURNED ± 1/32		PRODUCTION		SCALE: 1:32
						WEIGHT: 275.51 lbs.
						SHEET 1 OF 1