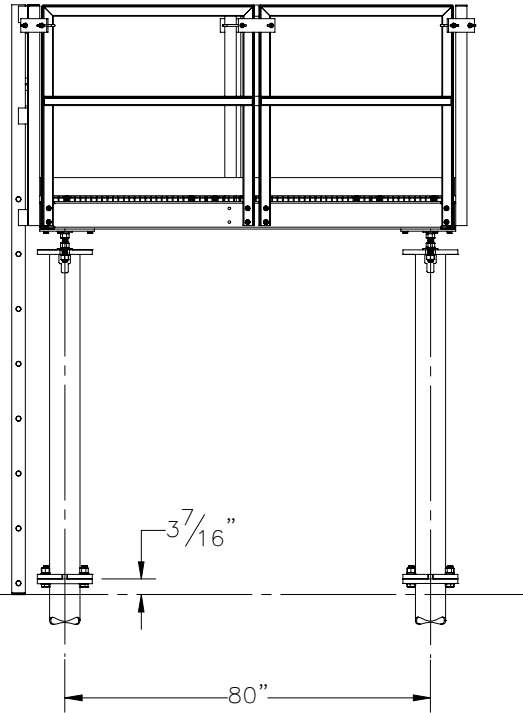
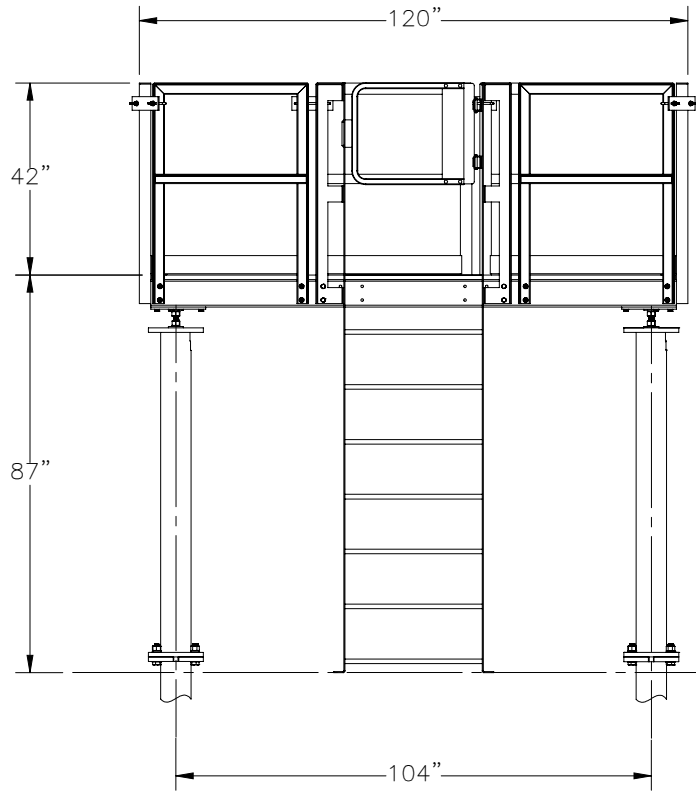
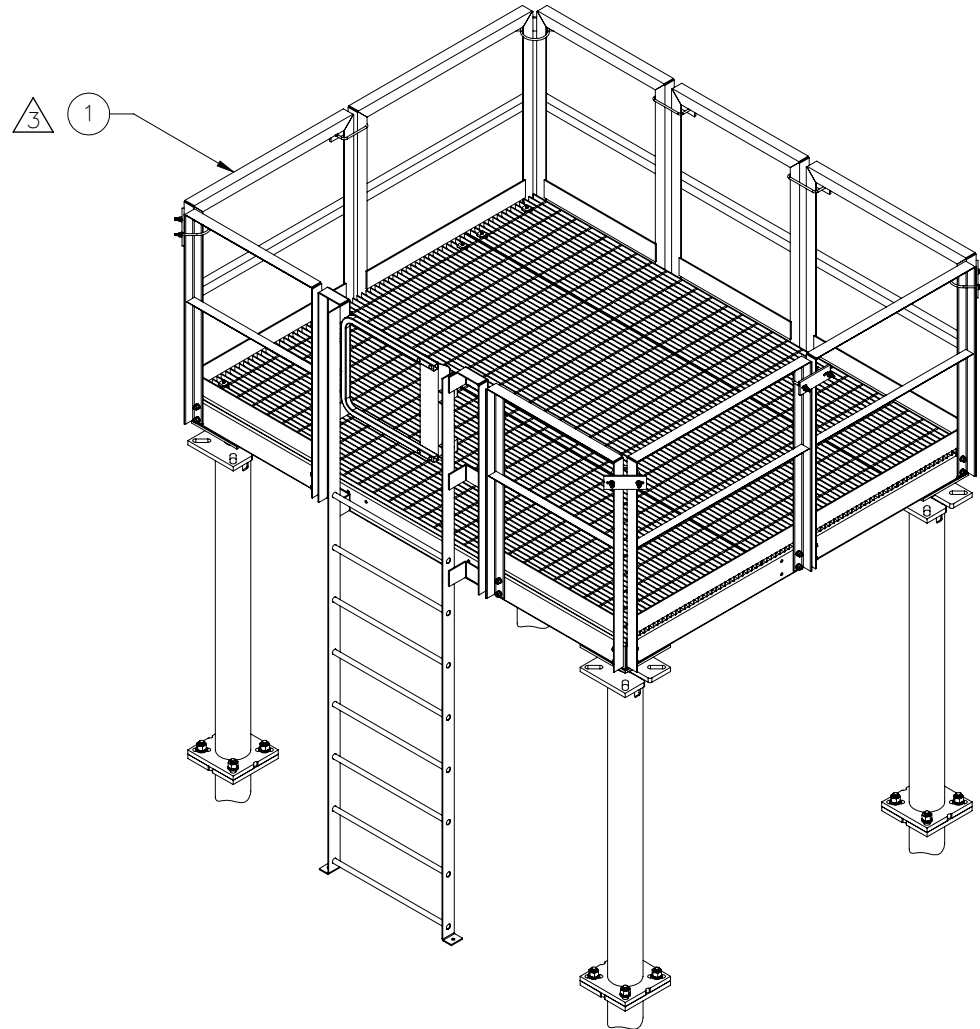
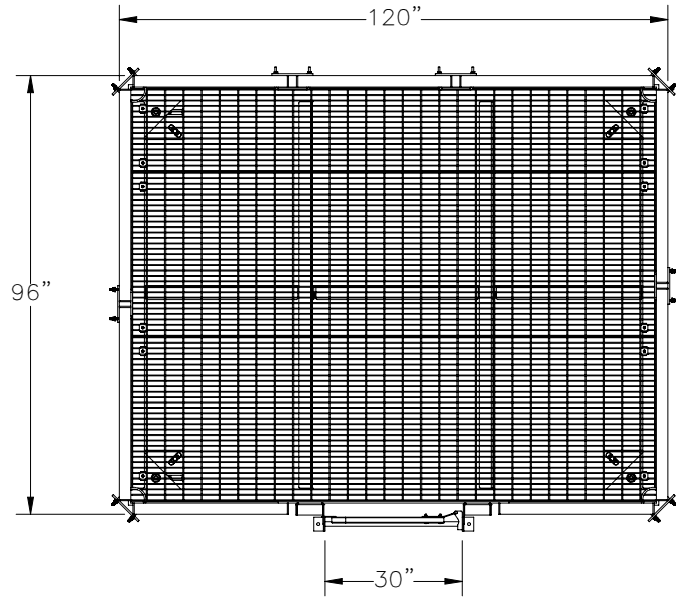

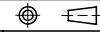


THE INFORMATION CONTAINED IN THIS DRAWING IS THE SOLE PROPERTY OF ELECTRO MECHANICAL INDUSTRIES, INC. ANY REPRODUCTION IN PART OR WHOLE WITHOUT THE WRITTEN PERMISSION OF ELECTRO MECHANICAL IND., IS PROHIBITED.

REVISIONS					
REV.	DCN #	DESCRIPTION	DATE	BY	APPROVED
3	01213	UPDATED WITH LOWER LEVEL CHANGES.	01/25/2023	JTR	JPB



ITEM NO.	QTY REQD	PART NUMBER	DESCRIPTION	LENGTH	WEIGHT
1	1	1000-0010-0403-07	8' X 10' BOLT TOGETHER EQUIP. PLATFORM		3330.90

SURFACE FINISH <input checked="" type="checkbox"/> UNLESS OTHERWISE SPECIFIED		UNLESS OTHERWISE SPECIFIED DIMENSIONS ARE IN INCHES		APPROVALS		DATE		 ELECTRO MECHANICAL INDUSTRIES, INC. 11230 NEESESHAW DRIVE HOUSTON, TEXAS 77065 1-800-453-0050	
MATERIAL SEE PARTS LIST		TOLERANCES		DRAWN		1/26/2022			
THIRD ANGLE PROJECTION 		.0 ± .06 .00 ± .015 .000 ± .005		CHECKER		1/26/2022			
NEXT ASSY		FRACTIONS ± 1/16 ANGLES ± .25° HOLES: DRILLED OR PUNCHED ± 1/32 BURNED ± 1/32		ENGINEER		1/26/2022			
APPLICATIONS				PRODUCTION		2/14/2022		TITLE: 8' X 10' BOLT TOGETHER EQUIP. PLATFORM	
				J. LEE				SIZE B DRAWING NO. 1000-0010-0317 REV 3	
								SCALE: 1:42 WEIGHT: 3330.90 lbs. SHEET 1 OF 1	