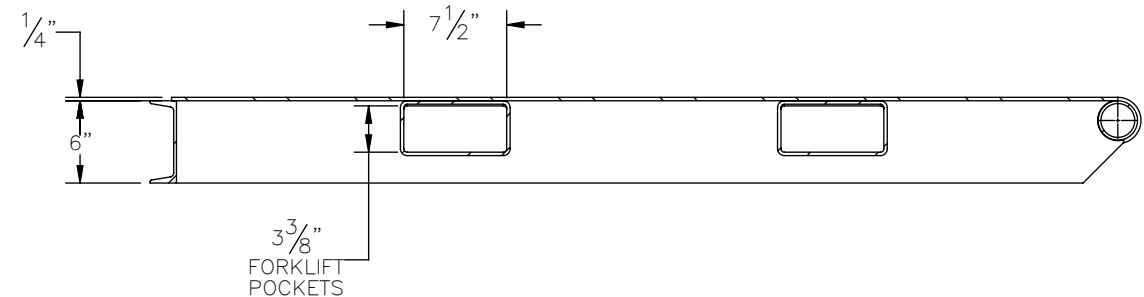
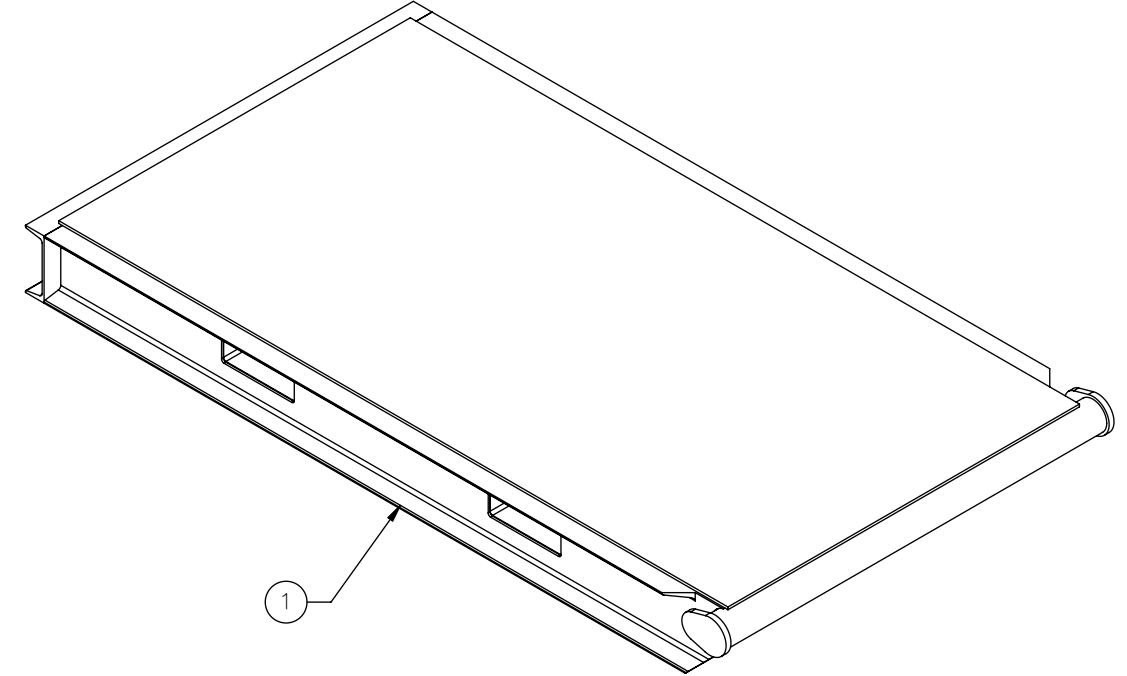
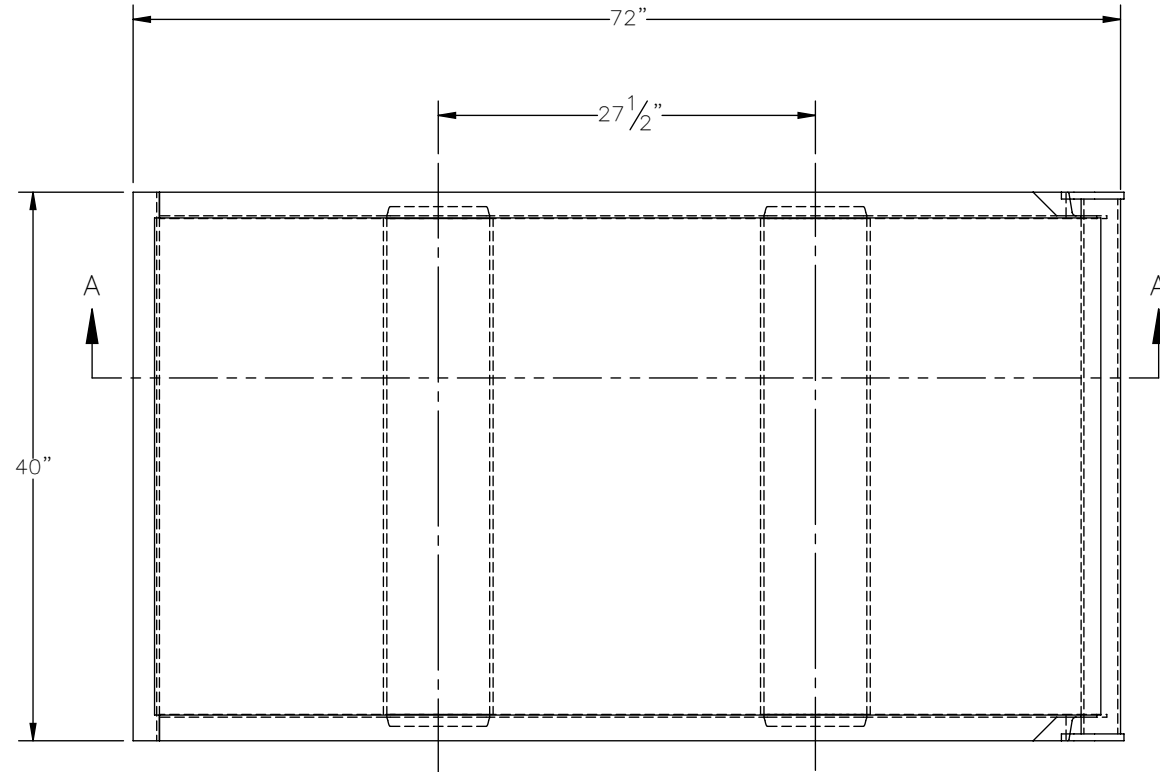
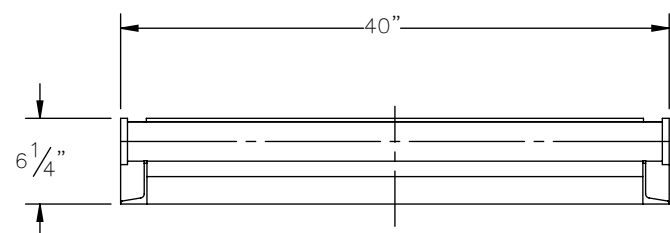



THE INFORMATION CONTAINED IN THIS DRAWING IS THE SOLE PROPERTY OF ELECTRO MECHANICAL INDUSTRIES, INC. ANY REPRODUCTION IN PART OR WHOLE WITHOUT THE WRITTEN PERMISSION OF ELECTRO MECHANICAL IND., IS PROHIBITED.



SECTION A-A



ITEM NO.	QTY REQD	PART NUMBER	DESCRIPTION	LENGTH	WEIGHT
1	1	W-002-271	40" X 72" PUMP SKID		425.8
SURFACE FINISH		UNLESS OTHERWISE SPECIFIED	UNLESS OTHERWISE SPECIFIED DIMENSIONS ARE IN INCHES	APPROVALS	DATE
MATERIAL		SEE PARTS LIST	TOLERANCES	DRAWN	12/2/2021
THIRD ANGLE PROJECTION			.0 ±.06 .00 ±.015 .000 ±.005	CHECKER	12/10/2021
NEXT ASSY		USED ON	FRACTIONS ± 1/16	ENGINEER	12/13/2021
APPLICATIONS			ANGLES ±.25°	PRODUCTION	12/13/2021
			HOLES: DRILLED OR PUNCHED ±1/32	J. LEE	
			BURNED ±1/32		



ELECTRO MECHANICAL INDUSTRIES, INC.
11230 NEESESHAW DRIVE
HOUSTON, TEXAS 77065
1-800-453-0050

TITLE:
PUMP SKID, 40" X 72"
W/FORKLIFT POCKETS

SIZE **B** DRAWING NO. 1000-0010-0323 REV 0

SCALE: 1:14 WEIGHT: 425.8 lbs. SHEET 1 OF 1