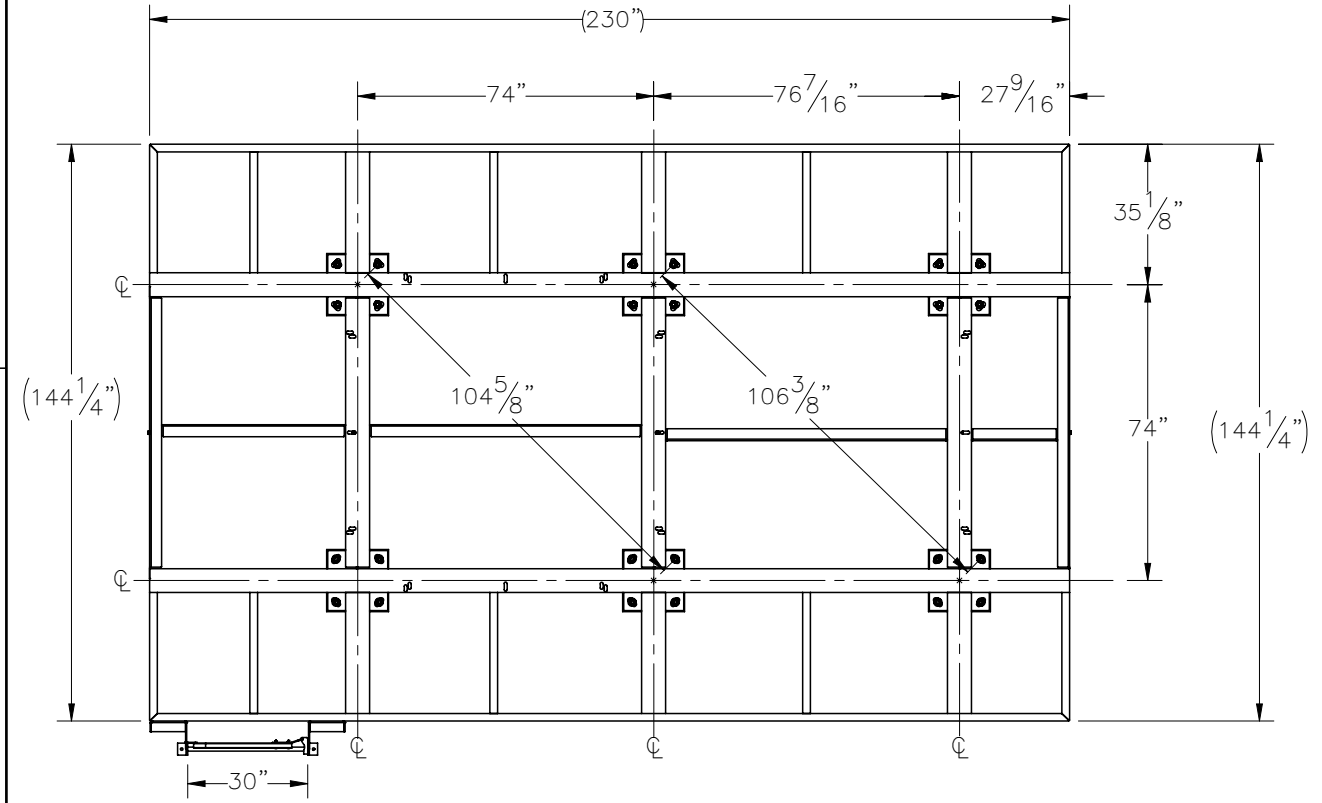
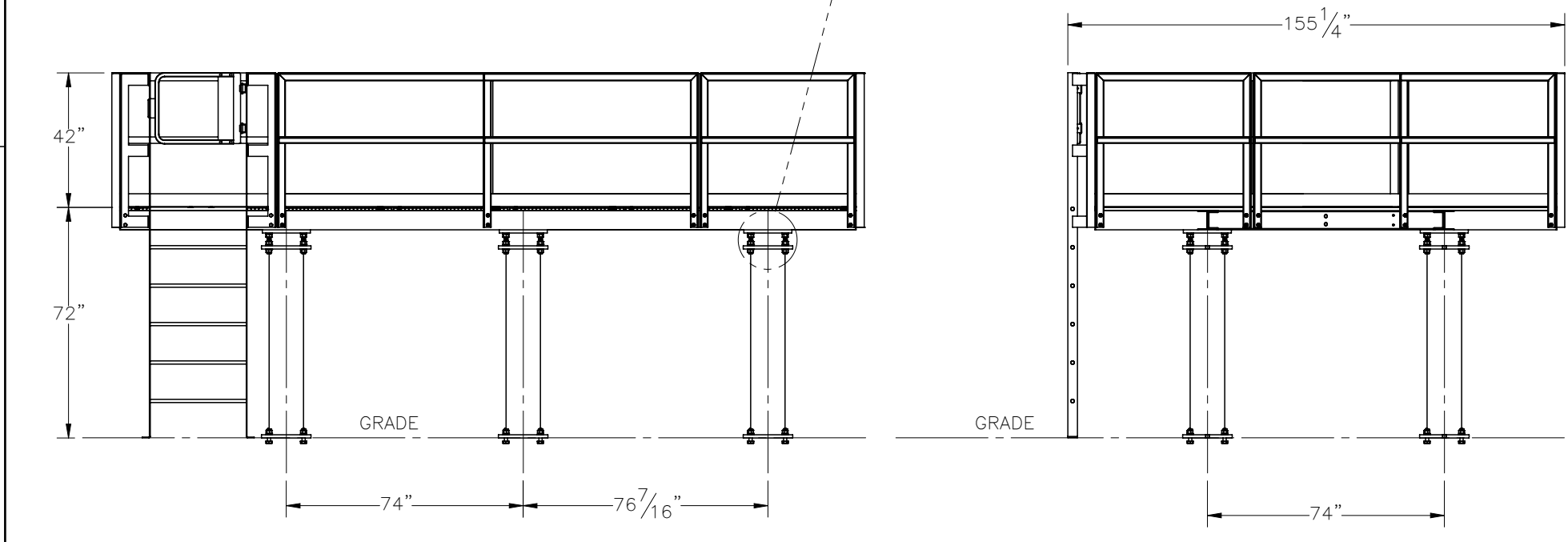
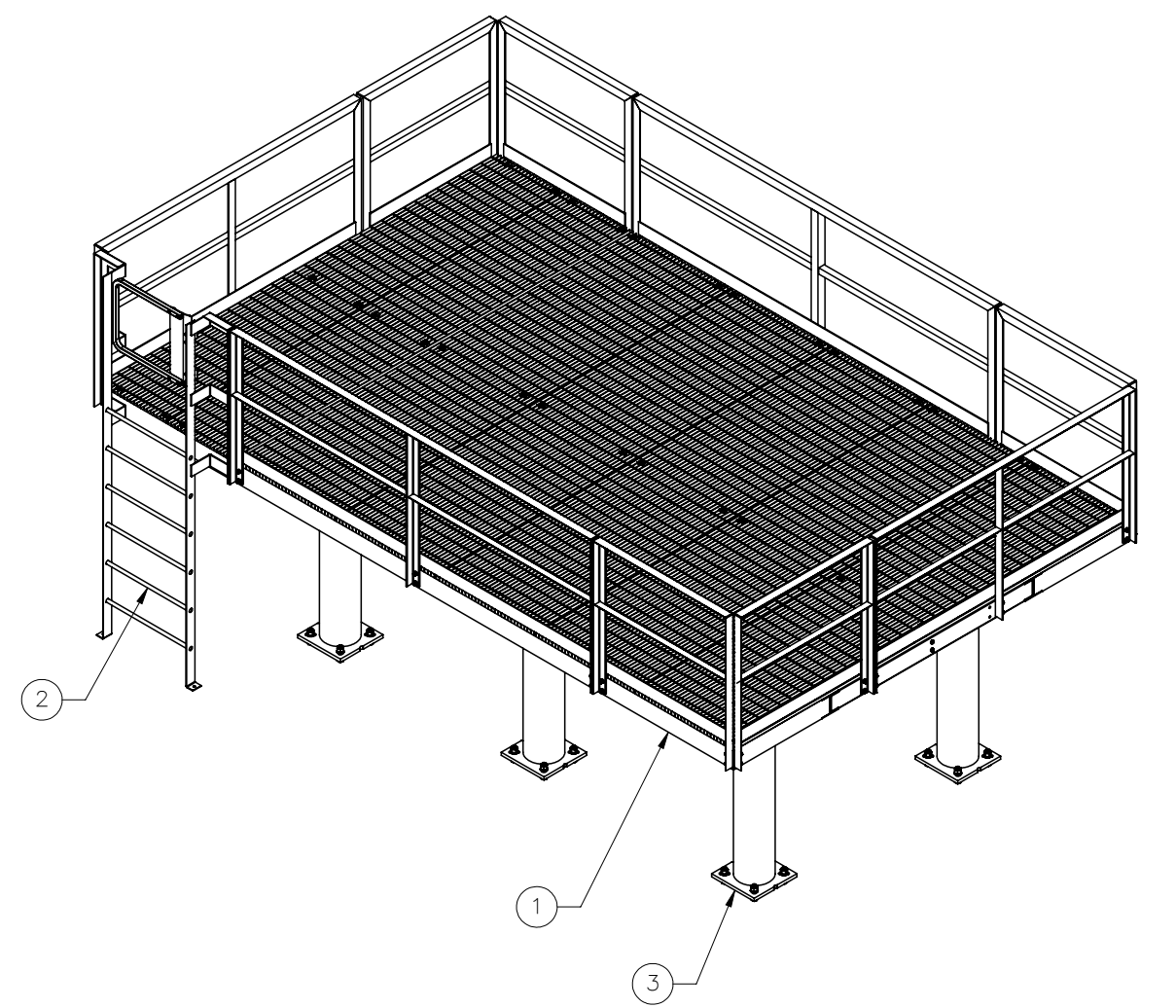
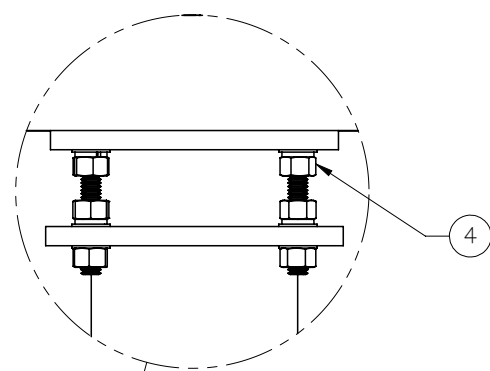



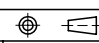
THE INFORMATION CONTAINED IN THIS DRAWING IS THE SOLE PROPERTY OF ELECTRO MECHANICAL INDUSTRIES, INC. ANY REPRODUCTION IN PART OR WHOLE WITHOUT THE WRITTEN PERMISSION OF ELECTRO MECHANICAL IND., IS PROHIBITED.



SHOWN WITHOUT GRATING AND HANDRAILS



ITEM NO.	QTY REQD	PART NUMBER	DESCRIPTION	LENGTH	WEIGHT
1	1	1001-0020-0138	12' X 19' EQUIPMENT PLATFORM		4831.6
2	1	1005-0420-0720	72" LADDER ASSEMBLY, 30" WIDE		148.0
3	6	1007-T010-0600	5.0 FT EXTENSION		297.0
4	6	1000-0020-0077	QUAD MOUNT LEVELING HARDWARE KIT		15.17

SURFACE FINISH <input checked="" type="checkbox"/> UNLESS OTHERWISE SPECIFIED		UNLESS OTHERWISE SPECIFIED DIMENSIONS ARE IN INCHES		APPROVALS		DATE		 ELECTRO MECHANICAL INDUSTRIES, INC. 11230 NEESESHAW DRIVE HOUSTON, TEXAS 77065 1-800-453-0050	
MATERIAL SEE PARTS LIST		TOLERANCES .0 ±.06 .00 ±.015 .000 ±.005		DRAWN J. ROACH		5/5/2022			
THIRD ANGLE PROJECTION 		FRACTIONS ± 1/16		CHECKER C. SANCHEZ		5/5/2022		TITLE: WUC AND GENERATOR PLATFORM, 6' ELEV.	
NEXT ASSY		ANGLES ± .25°		ENGINEER J. Breen		5/10/2022			
USED ON		HOLES: DRILLED OR PUNCHED ± 1/32 BURNED ± 1/32		PRODUCTION J. LEE		5/10/2022			
APPLICATIONS				SCALE: 1:48		WEIGHT: 6852.57 lbs.		SIZE B DRAWING NO. 1000-0010-0353-06 REV - SHEET 1 OF 1	