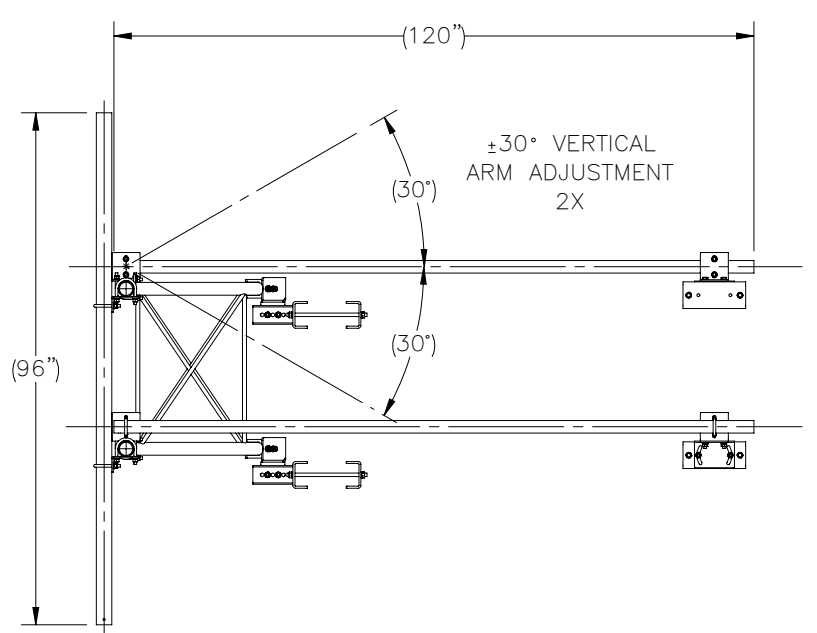
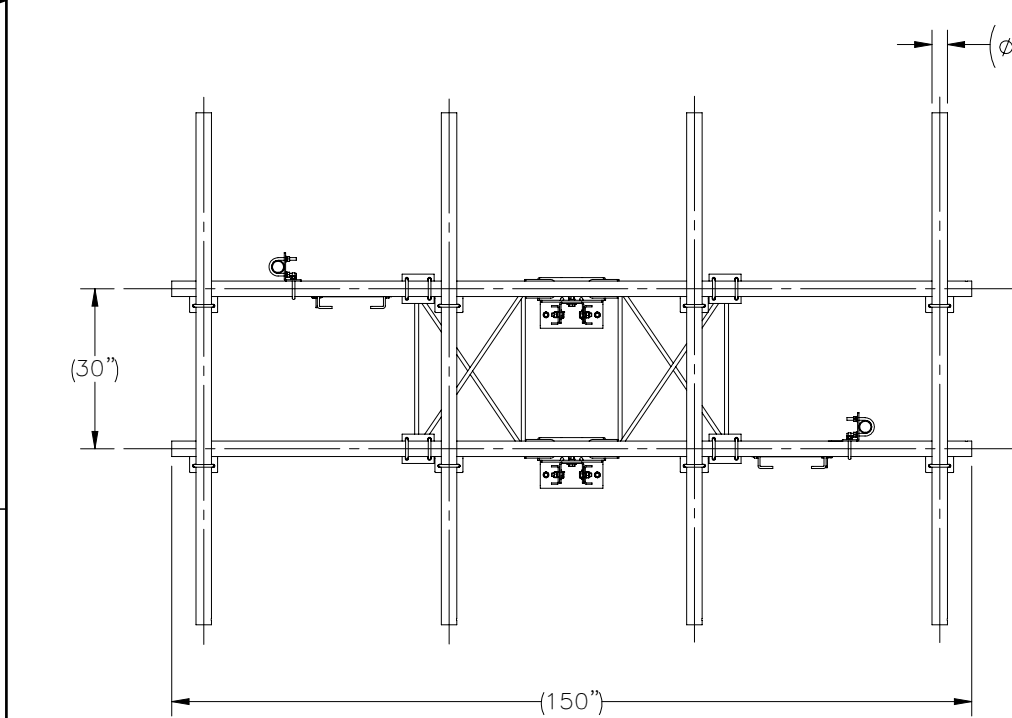
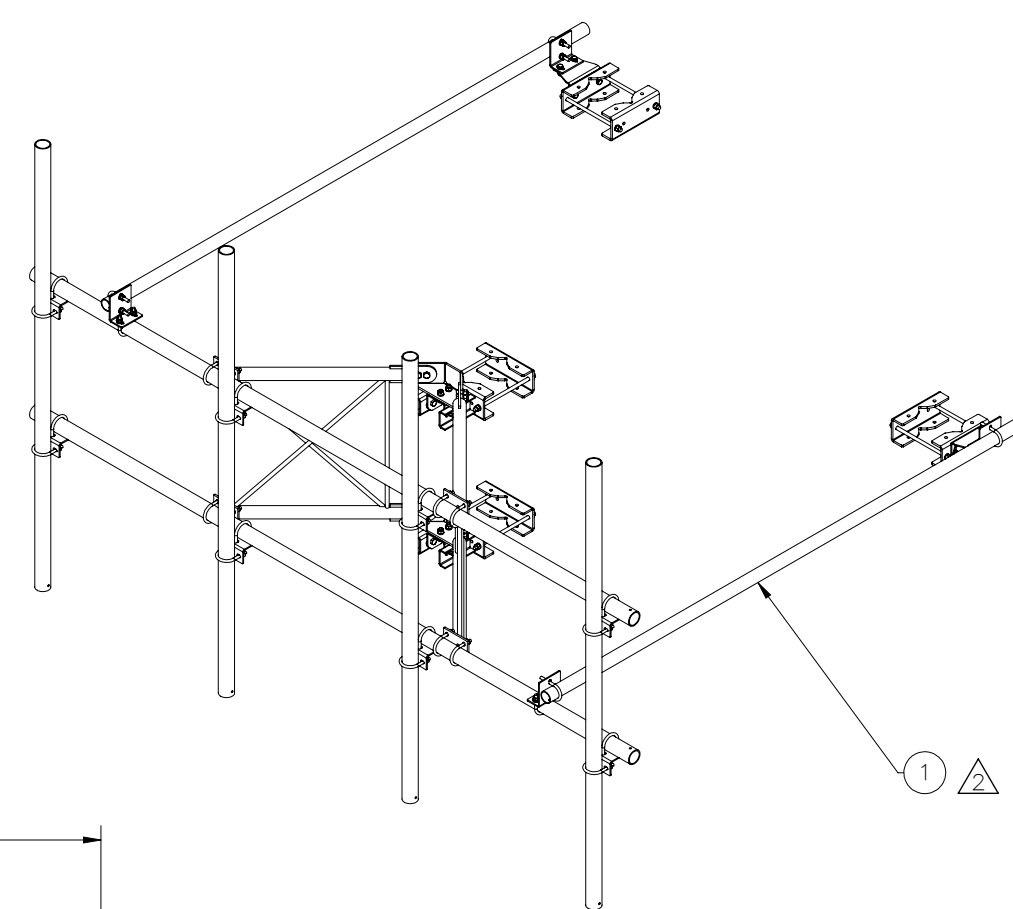
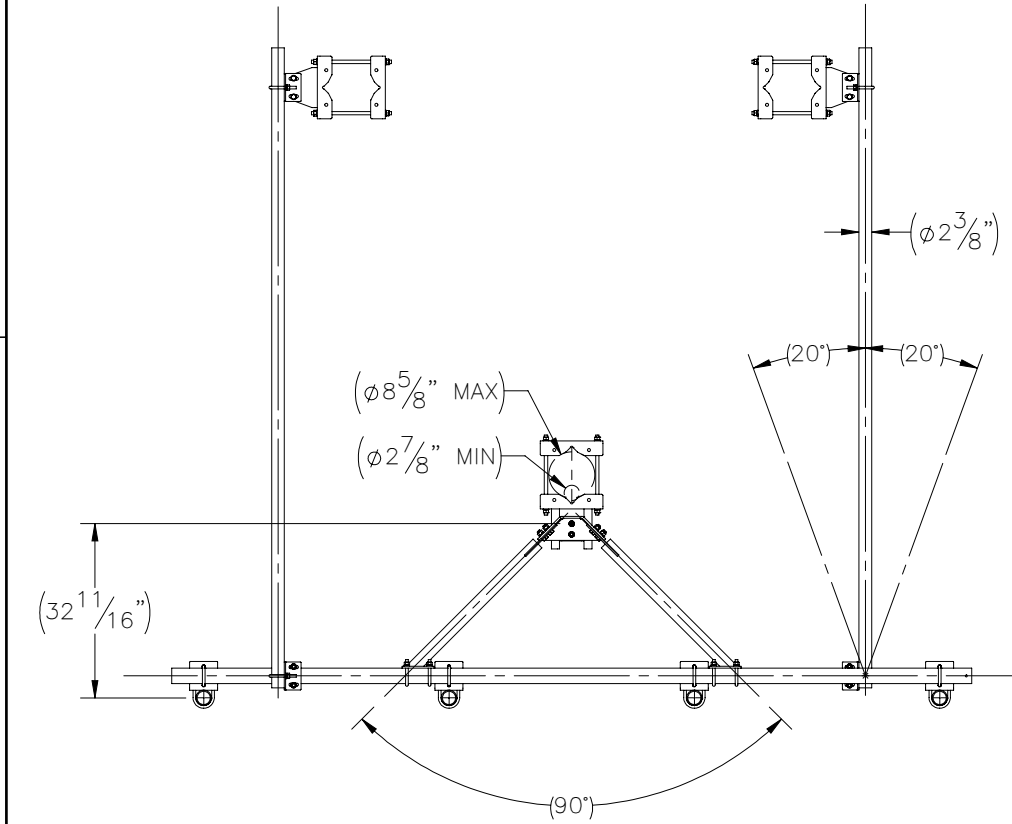


THE INFORMATION CONTAINED IN THIS DRAWING IS THE SOLE PROPERTY OF ELECTRO MECHANICAL INDUSTRIES, INC. ANY REPRODUCTION IN PART OR WHOLE WITHOUT THE WRITTEN PERMISSION OF ELECTRO MECHANICAL IND., IS PROHIBITED.

REVISIONS					
REV.	DCN #	DESCRIPTION	DATE	BY	APPROVED
2	01226	CONVERTED TO SHELL PART NUMBER FOR 1012-0010-3471.	03/13/2023	JTR	JPB



ITEM NO.	QTY REQD	PART NUMBER	DESCRIPTION	LENGTH	WEIGHT
1	1	1012-0010-3471	SECTOR FRAME, 12'-6" X 8' SINGLE FACE, 4 VERT. ANTENNA SUPPORTS		713.78

SURFACE FINISH	UNLESS OTHERWISE SPECIFIED	UNLESS OTHERWISE SPECIFIED DIMENSIONS ARE IN INCHES	APPROVALS	DATE
MATERIAL	SEE PARTS LIST	TOLERANCES	DRAWN	8/15/2022
THIRD ANGLE PROJECTION		.0 ±.06 .00 ±.015 .000 ±.005	CHECKER	8/15/2022
NEXT ASSY	USED ON	FRACTIONS ± 1/16 ANGLES ± .25°	ENGINEER	8/18/2022
APPLICATIONS		HOLES: DRILLED OR PUNCHED ± 1/32 BURNED ± 1/32	PRODUCTION	8/30/2022

TITLE:		ELECTRO MECHANICAL INDUSTRIES, INC. 11230 NEESESHAW DRIVE HOUSTON, TEXAS 77065 1-800-453-0050	
SECTOR FRAME, 12'-6" X 8' SINGLE FACE, 4 VERT. ANTENNA SUPPORTS		SIZE	REV
		B	2
DRAWING NO. 1000-0010-0370		SCALE: 1:36	WEIGHT: 713.78 lbs.
		SHEET 1 OF 1	