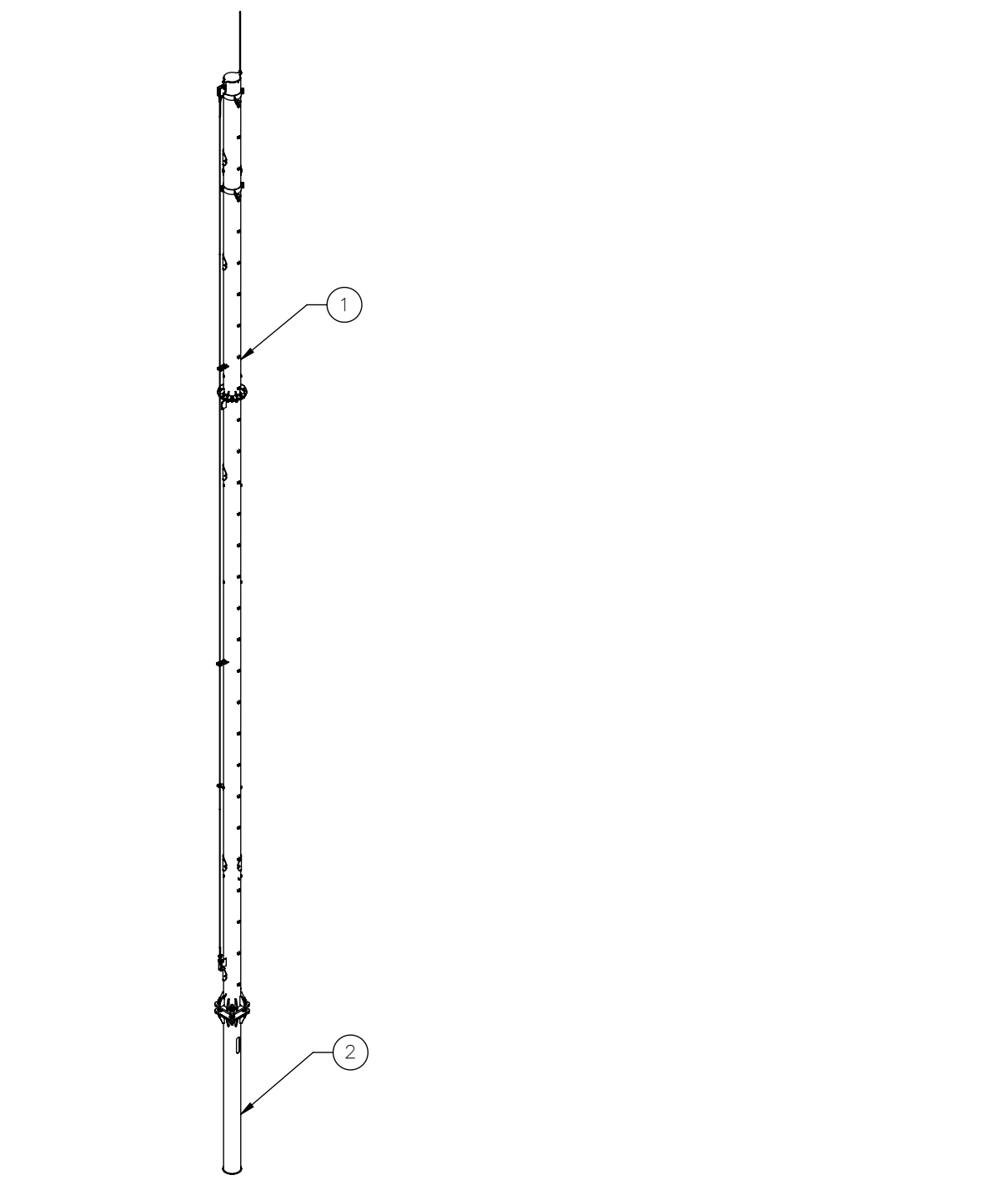
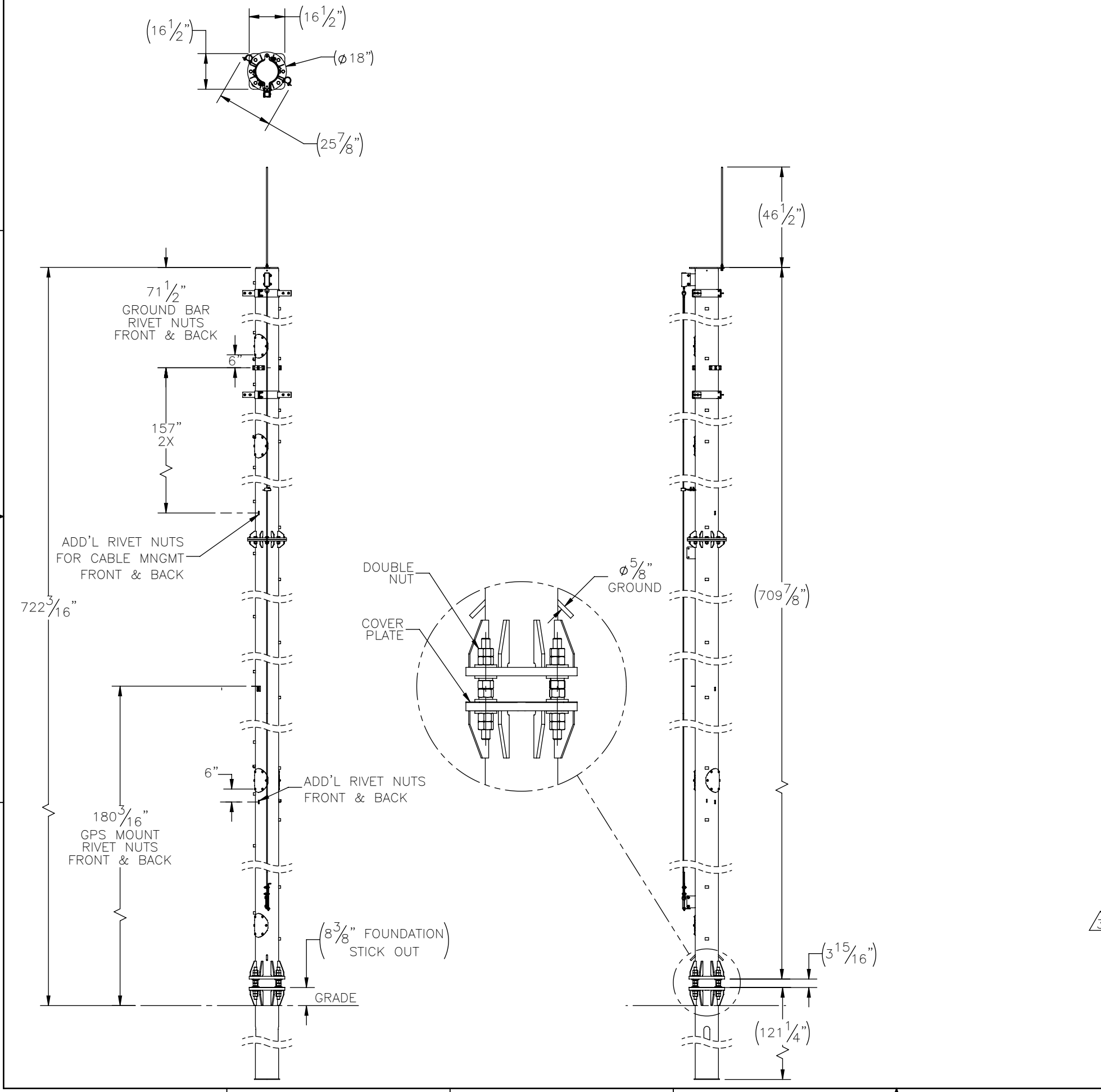


THE INFORMATION CONTAINED IN THIS DRAWING IS THE SOLE PROPERTY OF ELECTRO MECHANICAL INDUSTRIES, INC. ANY REPRODUCTION IN PART OR WHOLE WITHOUT THE WRITTEN PERMISSION OF ELECTRO MECHANICAL IND., IS PROHIBITED.

REVISIONS					
REV.	DCN #	DESCRIPTION	DATE	BY	APPROVED
3	01274	UPDATED WITH LOWER LEVEL CHANGES	10/26/23	FJB	CS



ITEM NO.	QTY REQD	PART NUMBER	DESCRIPTION	LENGTH	WEIGHT
1	1	1002-0000-0080	CLIMBING PEG TOWER, 10" X 60' MONOPOLE, FOUNDATION MNT.		1948
2	1	1008-0000-0038	10"DIA X 10' DIRECT BURIAL FOUNDATION		428.0

SURFACE FINISH	UNLESS OTHERWISE SPECIFIED	APPROVALS	DATE	<p>ELECTRO MECHANICAL INDUSTRIES, INC. 11230 NEESEHAW DRIVE HOUSTON, TEXAS 77065 1-800-453-0050</p>	
MATERIAL	SEE PARTS LIST	DRAWN	P. GUTIERREZ		3/21/2023
THIRD ANGLE PROJECTION		CHECKER	F. MERCHAN		3/21/2023
		ENGINEER	S. DILLARD		3/21/2023
NEXT ASSY	USED ON	PRODUCTION	J. KERNER	3/21/2023	

TOLERANCES		60' CLIMBING TOWER WITH DIRECT BURIAL FOUNDATION KIT
.0	± .06	
.00	± .015	
.000	± .005	
FRACTIONS		SIZE
± 1/6		B
ANGLES		DRAWING NO.
± .25°		1000-0010-0418
HOLES:		REV
DRILLED OR PUNCHED	± 1/32	3
BURNED	± 1/32	SCALE: 1:50
APPLICATIONS		WEIGHT: 2376.15 lbs.
		SHEET 1 OF 1