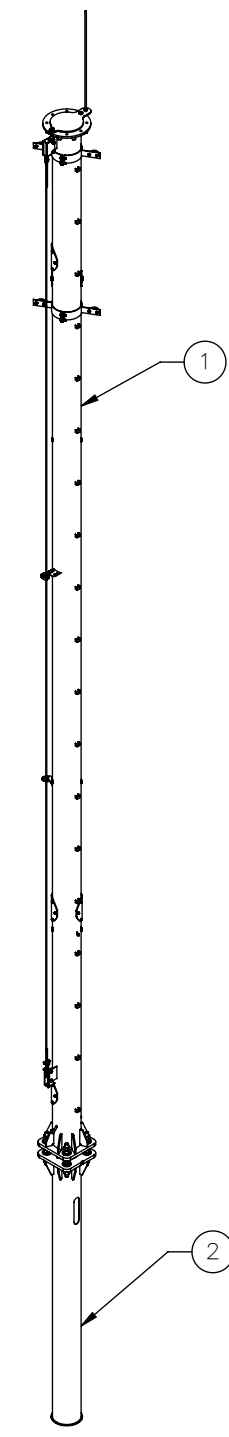
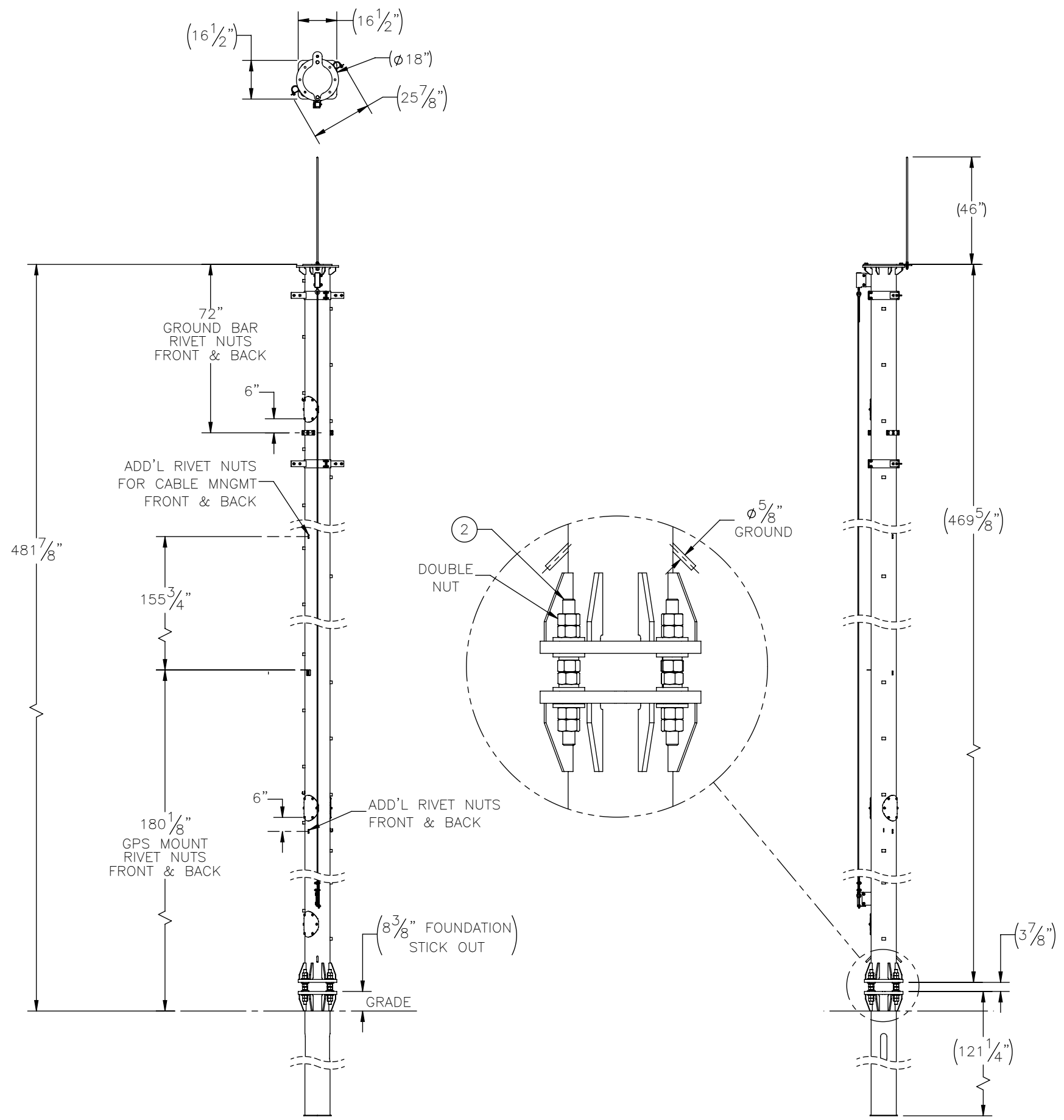


THE INFORMATION CONTAINED IN THIS DRAWING IS THE SOLE PROPERTY OF ELECTRO MECHANICAL INDUSTRIES, INC. ANY REPRODUCTION IN PART OR WHOLE WITHOUT THE WRITTEN PERMISSION OF ELECTRO MECHANICAL IND., IS PROHIBITED.

REVISIONS					
REV.	DCN #	DESCRIPTION	DATE	BY	APPROVED
1	01274	UPDATED WITH LOWER LEVEL CHANGES	10/26/23	FJB	CS



ITEM NO.	QTY REQD	PART NUMBER	DESCRIPTION	LENGTH	WEIGHT
1	1	1002-0000-0084	CLIMBING PEG TOWER, 10" X 40' MONOPOLE		1325
2	1	1008-0000-0038	10"DIA X 10' DIRECT BURIAL FOUNDATION		353.0

SURFACE FINISH	UNLESS OTHERWISE SPECIFIED	UNLESS OTHERWISE SPECIFIED DIMENSIONS ARE IN INCHES	APPROVALS	DATE	<p>ELECTRO MECHANICAL INDUSTRIES, INC. 11230 NEESEHAW DRIVE HOUSTON, TEXAS 77065 1-800-453-0050</p> <p>TITLE: <b>40' CLIMBING TOWER WITH DIRECT BURIAL FOUNDATION KIT</b></p>
MATERIAL	SEE PARTS LIST	TOLERANCES	DRAWN		
THIRD ANGLE PROJECTION		.00 ± .06 .000 ± .015 .000 ± .005 FRACTIONS ± 1/16 ANGLES ± .25°	CHECKER		
NEXT ASSY	USED ON	HOLES: DRILLED OR PUNCHED ± 1/32 BURNED ± 1/32	ENGINEER		

PRODUCTION	J. KERNER	6/13/2023	SIZE	DRAWING NO.	REV
			B	1000-0010-0451	1
APPLICATIONS		SCALE: 1:50	WEIGHT: 1677.99 lbs.	SHEET 1 OF 1	