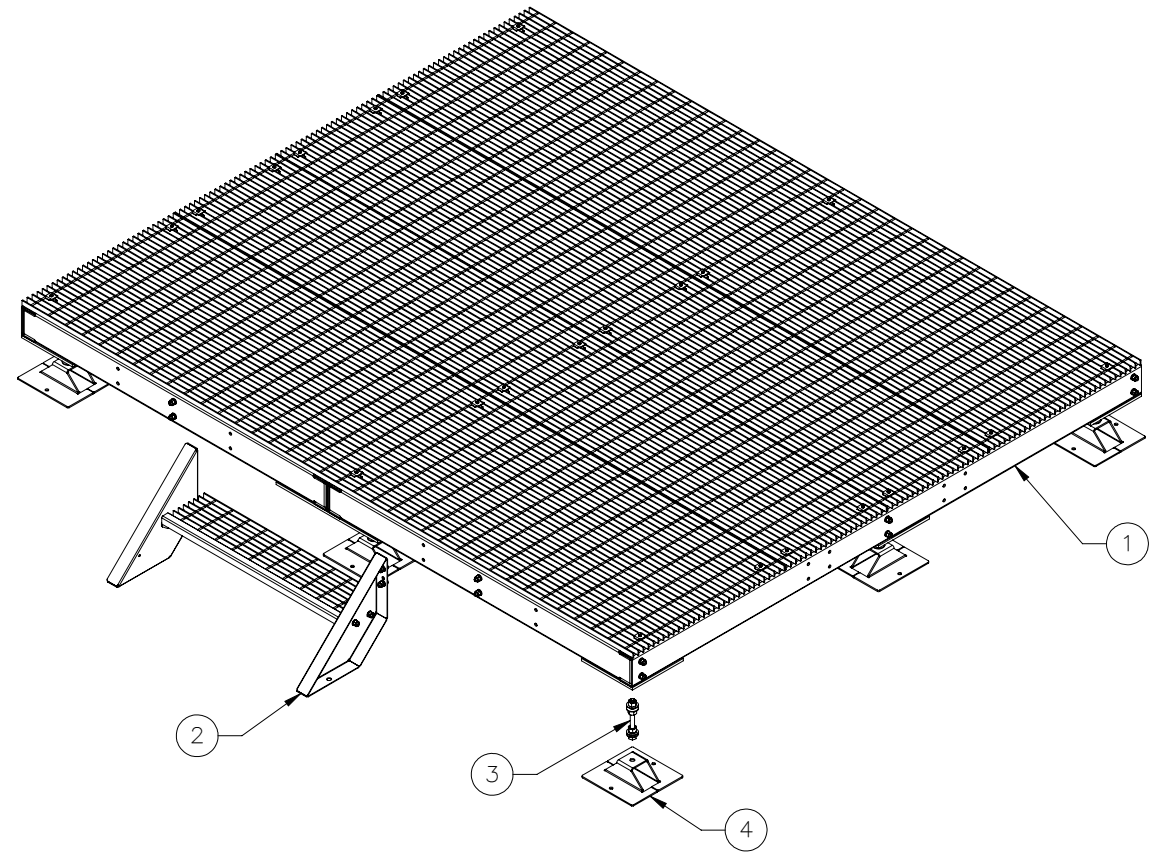
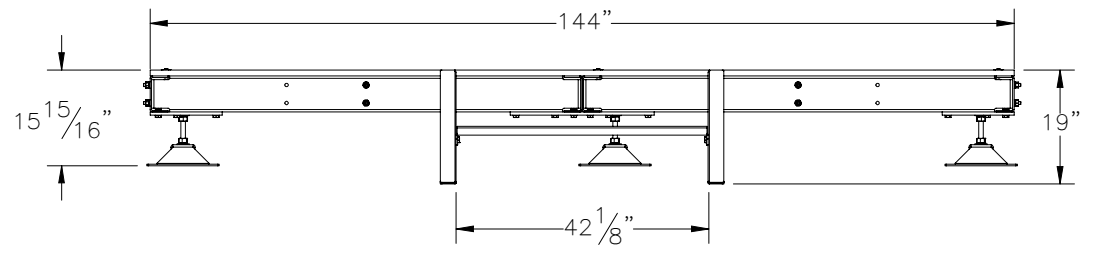
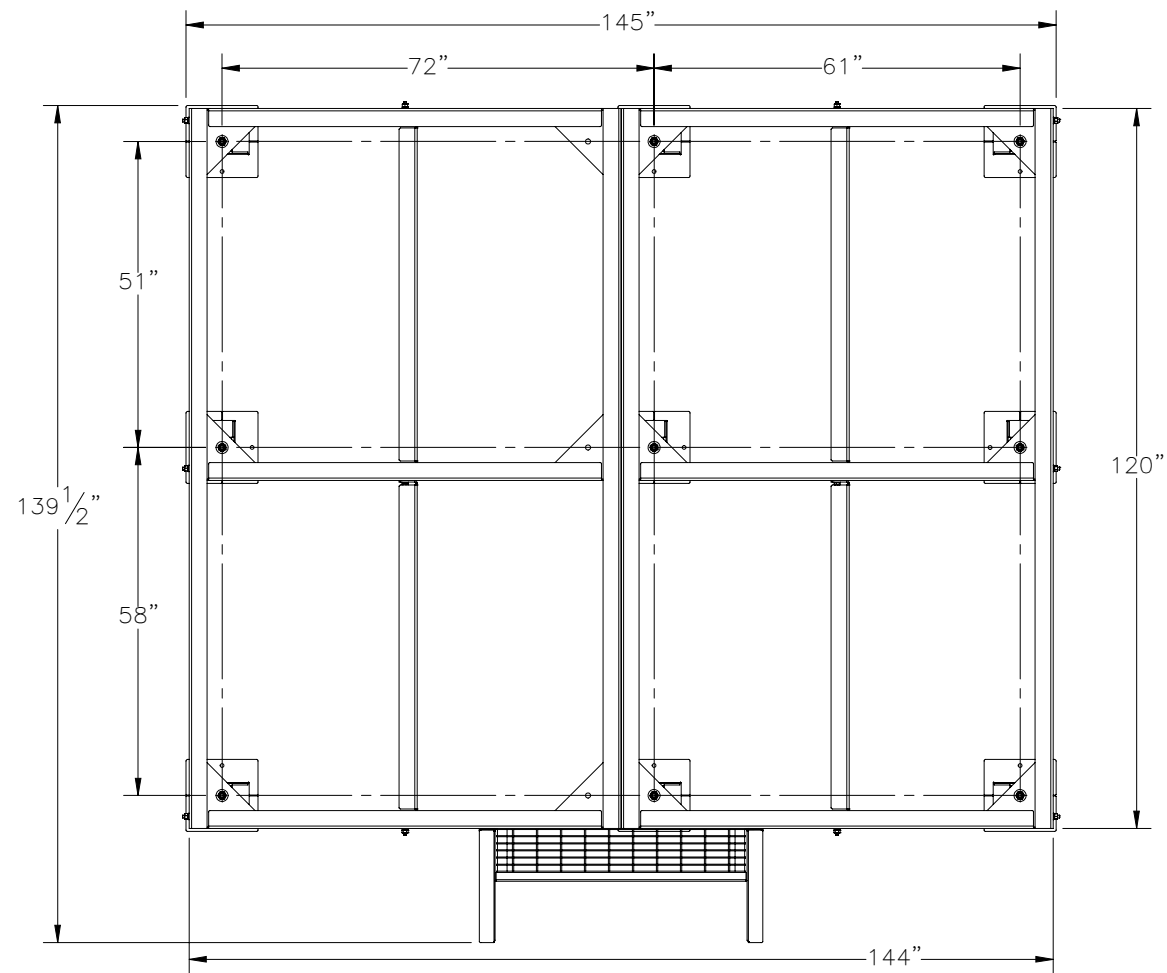


THE INFORMATION CONTAINED IN THIS DRAWING IS THE SOLE PROPERTY OF ELECTRO MECHANICAL INDUSTRIES, INC. ANY REPRODUCTION IN PART OR WHOLE WITHOUT THE WRITTEN PERMISSION OF ELECTRO MECHANICAL IND., IS PROHIBITED.



ITEM NO.	QTY REQD	PART NUMBER	DESCRIPTION	LENGTH	WEIGHT
1	1	1001-0000-0050	10' X 12' BOLTED EQUIP. PLATFORM		1931.84
2	1	1003-0020-0002	1 TREAD STAIR ASS'Y (42" WIDE)		55.4
3	9	1000-0020-0082	SINGLE MOUNT LEVELING HARDWARE KIT, .75" x 8"		2.20
4	9	P-004-724	PLATFORM FOOT, FORMED		11.14

SURFACE FINISH <input checked="" type="checkbox"/> UNLESS OTHERWISE SPECIFIED		UNLESS OTHERWISE SPECIFIED DIMENSIONS ARE IN INCHES		APPROVALS		DATE		ELECTRO MECHANICAL INDUSTRIES, INC. 11230 NEESESHAW DRIVE HOUSTON, TEXAS 77065 1-800-453-0050	
MATERIAL SEE PARTS LIST		TOLERANCES		DRAWN B. HUTSON		7/5/2023			
THIRD ANGLE PROJECTION		FRACTIONS ± 1/16		CHECKER S. DILLARD		7/5/2023		TITLE: <h3 style="text-align: center;">10' X 12' BOLT TOGETHER PLATFORM W-FEET</h3>	
NEXT ASSY		HOLES: DRILLED OR PUNCHED ± 1/32		ENGINEER J. Breen		7/5/2023			
APPLICATIONS		BURNED ± 1/32		PRODUCTION J. KERNER		7/5/2023			
SIZE B		DRAWING NO. 1000-0010-0466		REV 0		SCALE: 1:32		WEIGHT: 2107.29 lbs.	
								SHEET 1 OF 1	