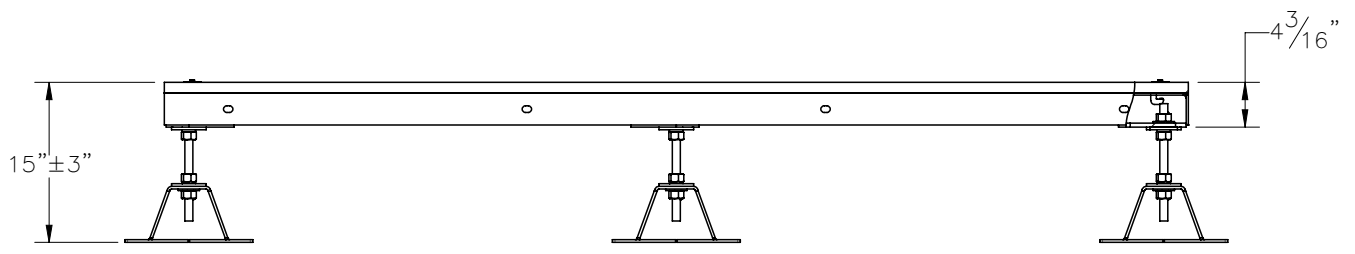
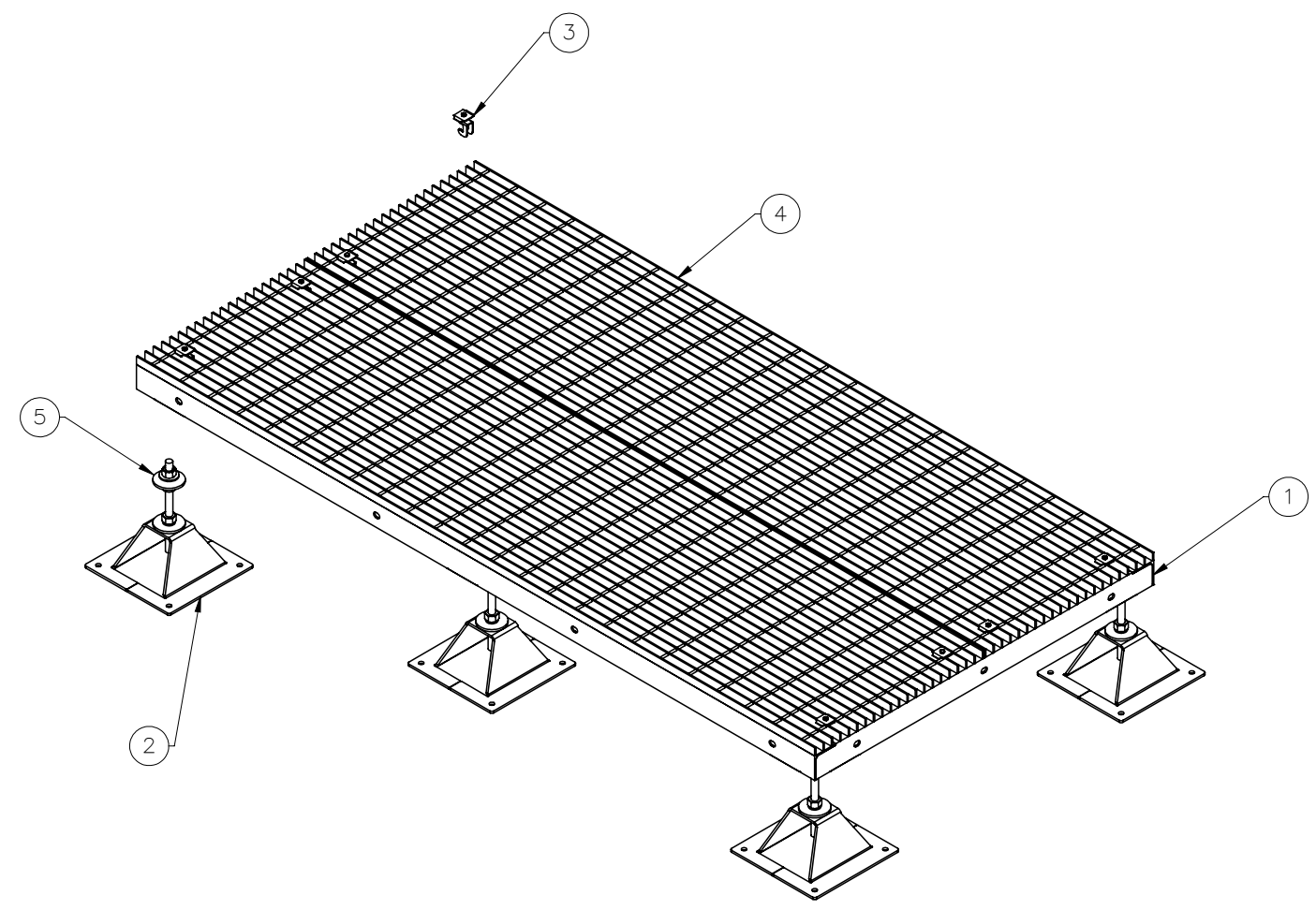
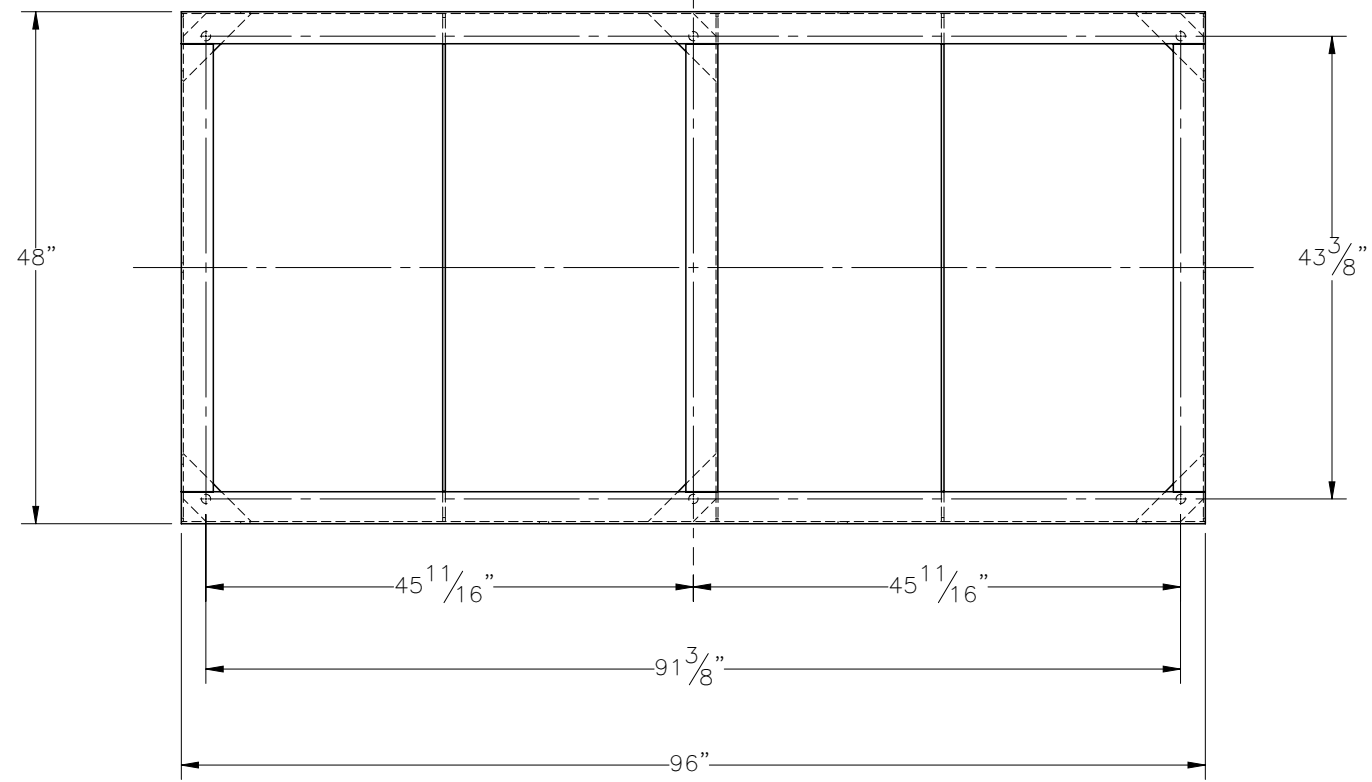

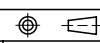


THE INFORMATION CONTAINED IN THIS DRAWING IS THE SOLE PROPERTY OF ELECTRO MECHANICAL INDUSTRIES, INC. ANY REPRODUCTION IN PART OR WHOLE WITHOUT THE WRITTEN PERMISSION OF ELECTRO MECHANICAL IND., IS PROHIBITED.

FRAME ONLY



ITEM NO.	QTY REQD	PART NUMBER	DESCRIPTION	LENGTH	WEIGHT
1	1	302-100-0001	48" X 96" MODULAR FRAME WELDMENT		132.121
2	6	P-006-941	PLATFORM FOOT, FORMED		10.772
3	8	000-MSG-0008	GRATING CLIP, 1", GALV.		0.20
4	2	T010-0240-0960	GRATING PANEL, 1" THK, SMOOTH, 21 BAR, 23.9375 WIDTH	96"	113.157
5	6	1000-0020-0137	SINGLE MOUNT LEVELING HARDWARE KIT, .75" x 11"		3.545

SURFACE FINISH <input checked="" type="checkbox"/> UNLESS OTHERWISE SPECIFIED		UNLESS OTHERWISE SPECIFIED DIMENSIONS ARE IN INCHES		APPROVALS	DATE	 ELECTRO MECHANICAL INDUSTRIES, INC. 11230 NEESHAW DRIVE HOUSTON, TEXAS 77065 1-800-453-0050
MATERIAL SEE PARTS LIST		TOLERANCES		DRAWN	12/7/2023	
THIRD ANGLE PROJECTION 		.0 ± .06 .00 ± .015 .000 ± .005		CHECKER	12/7/2023	TITLE: <b>4' X 8' EQUIPMENT PLATFORM ASSY</b>
NEXT ASSY		FRACTIONS ± 1/16 ANGLES ± .25°		ENGINEER	12/7/2023	
USED ON		HOLES: DRILLED OR PUNCHED ± 1/32		PRODUCTION	12/7/2023	
APPLICATIONS		BURNED ± 1/32		J. KERNER		SIZE <b>B</b> DRAWING NO. 1000-0010-0492 REV 0 SCALE: 1:18 WEIGHT: 445.9 lbs. SHEET 1 OF 1