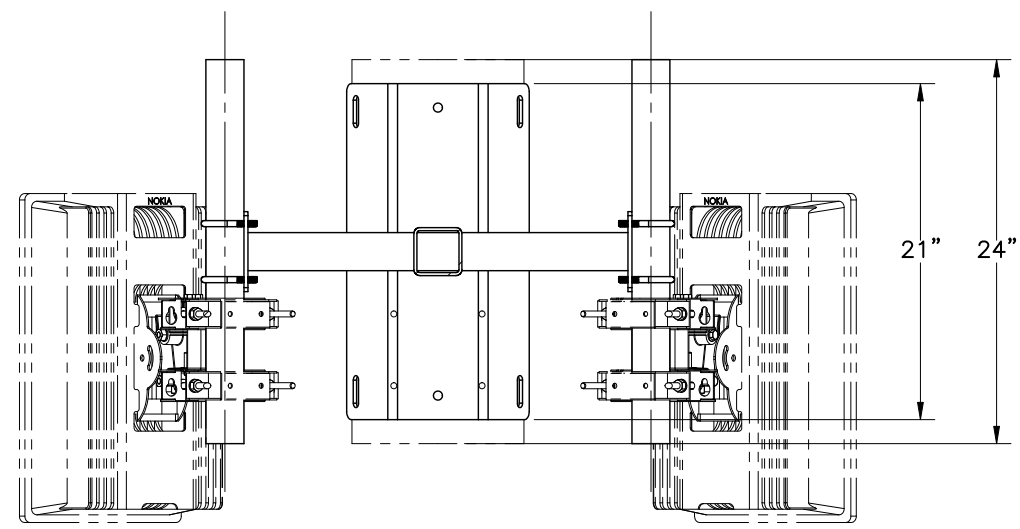
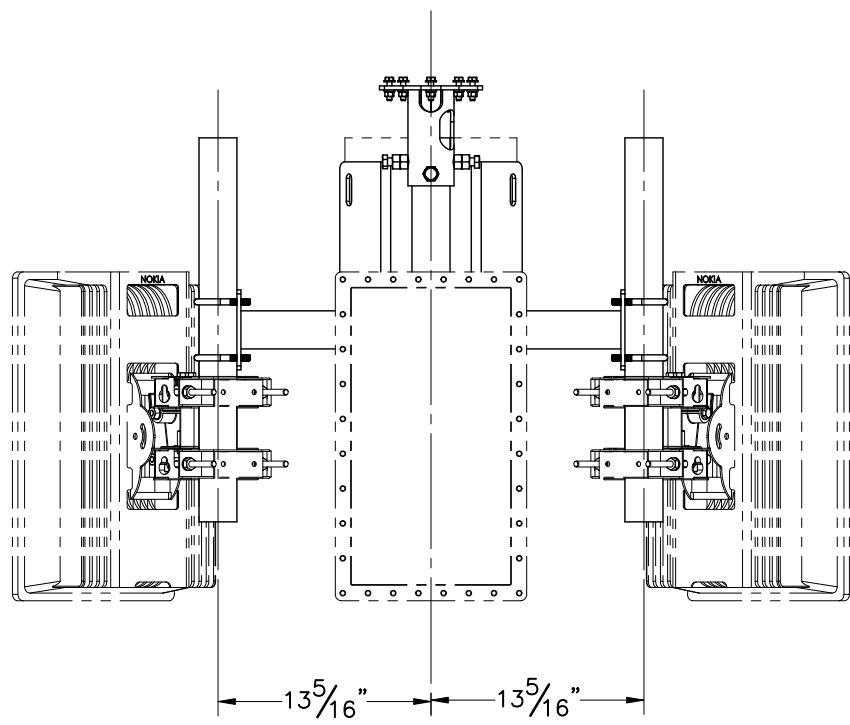
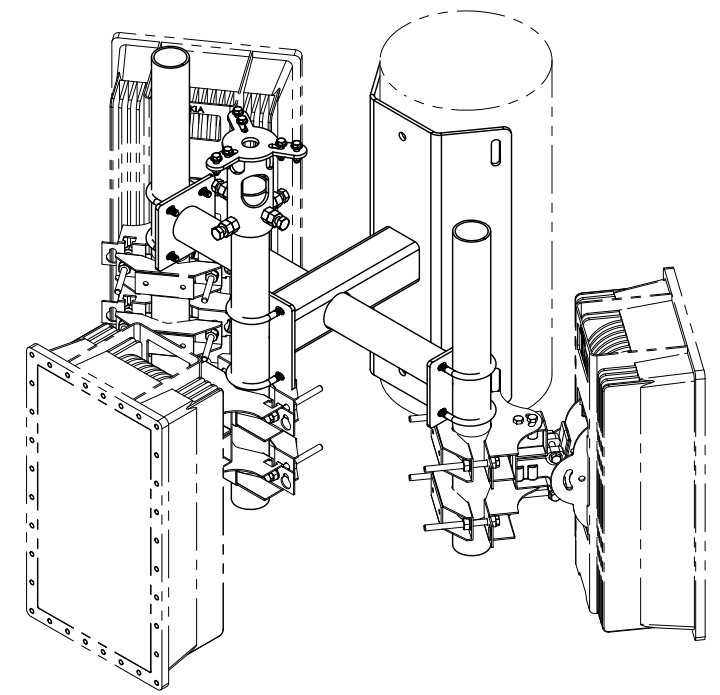
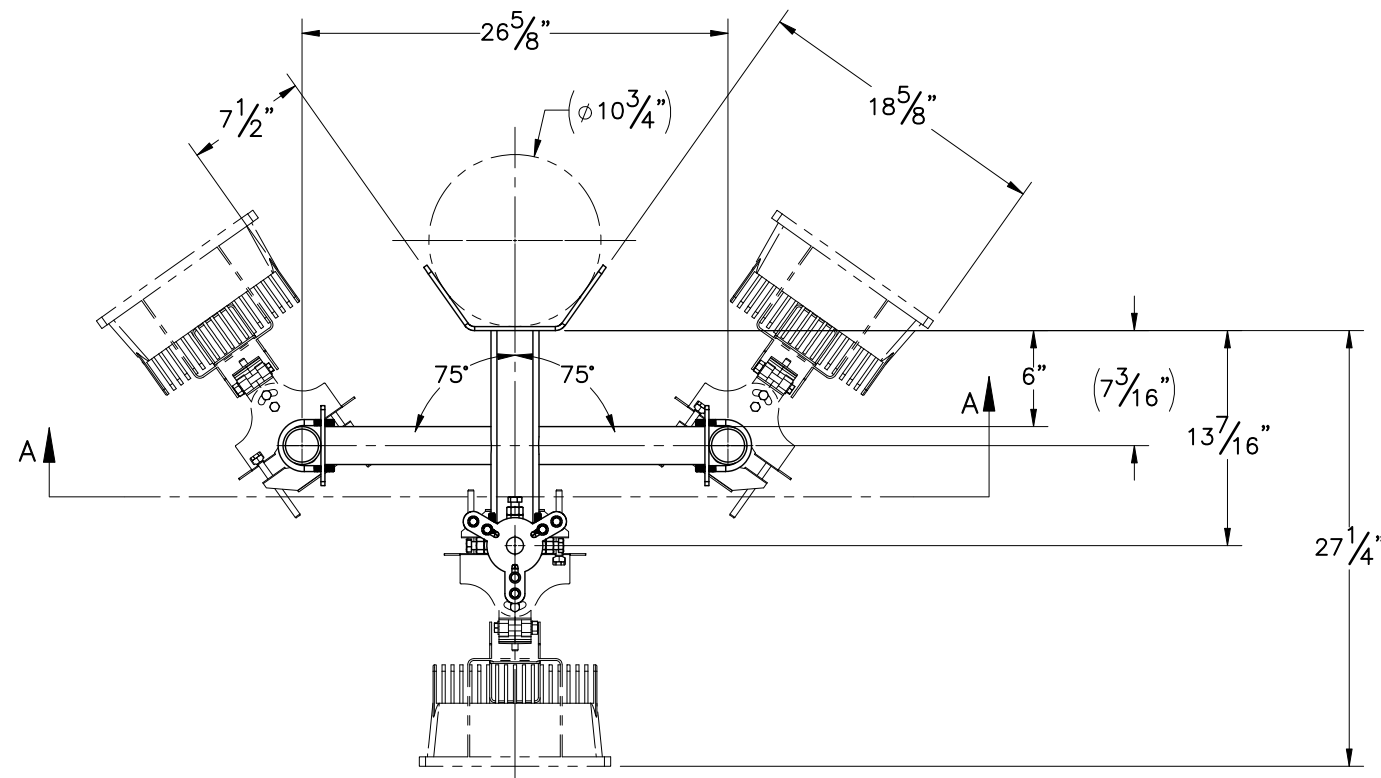

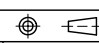


THE INFORMATION CONTAINED IN THIS DRAWING IS THE SOLE PROPERTY OF ELECTRO MECHANICAL INDUSTRIES, INC. ANY REPRODUCTION IN PART OR WHOLE WITHOUT THE WRITTEN PERMISSION OF ELECTRO MECHANICAL IND., IS PROHIBITED.

SALES DRAWING



SECTION A-A

SURFACE FINISH <input checked="" type="checkbox"/> UNLESS OTHERWISE SPECIFIED		UNLESS OTHERWISE SPECIFIED DIMENSIONS ARE IN INCHES		APPROVALS	DATE	 ELECTRO MECHANICAL INDUSTRIES, INC. 11250 NEESHAW DRIVE HOUSTON, TEXAS 77065 1-800-453-0050
MATERIAL		TOLERANCES		DRAWN	4.2.19	
THIRD ANGLE PROJECTION		0 ± .06	.00 ± .01	CHECKED		MID POLE MOUNT BRACKET
		FRACTIONS ± 1/16	ANGLES ± .25°	ENGINEER/DESIGNER		
NEXT ASSY	USED ON	HOLES: DRILLED OR PUNCHED		PRODUCTION		DRAWING NO.
APPLICATIONS		BURNED ± 1/32				1000-0020-0033
						SCALE: 1:12
						WEIGHT: 69 lbs.
						SHEET 1 OF 1