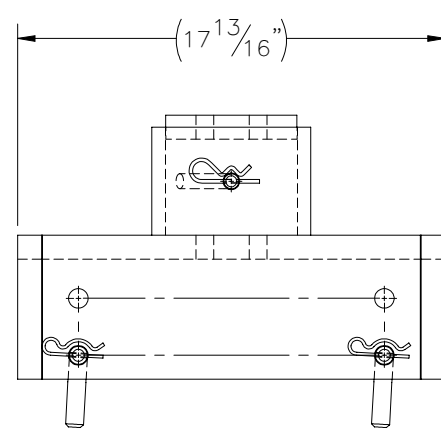
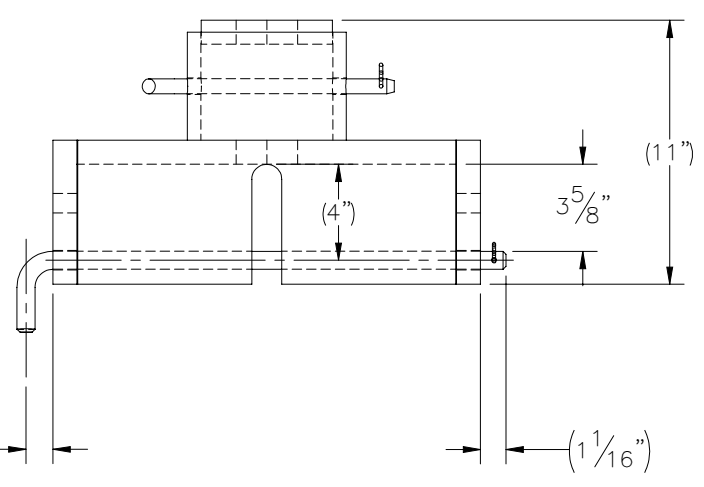
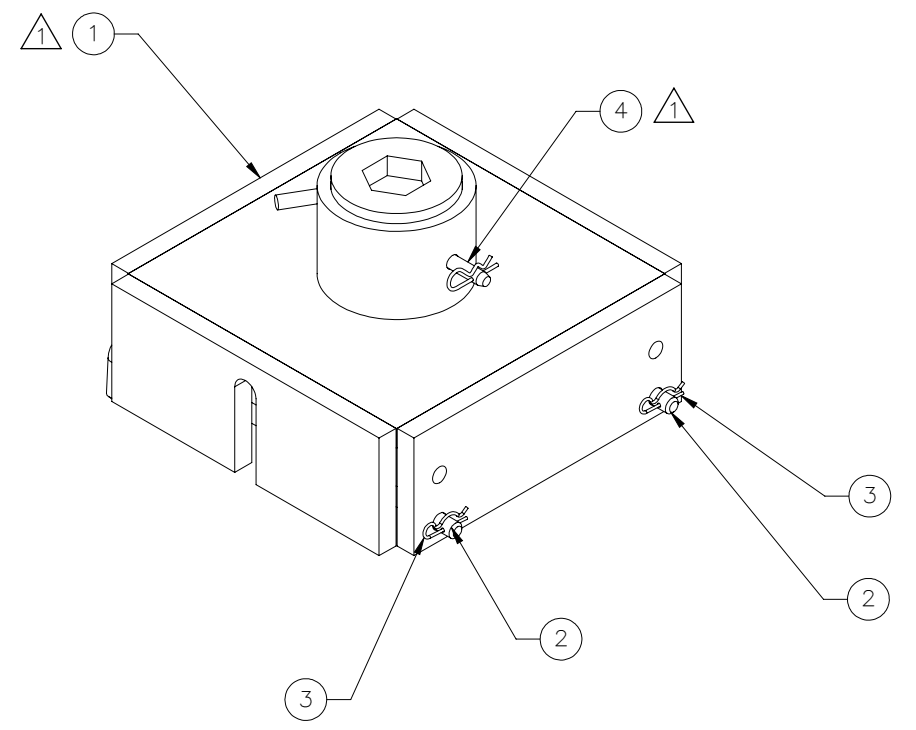
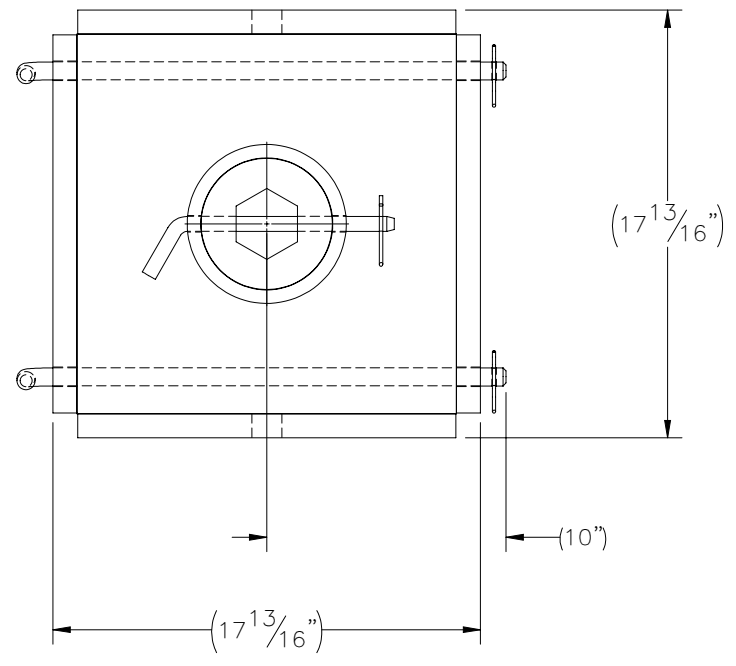

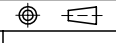


THE INFORMATION CONTAINED IN THIS DRAWING IS THE SOLE PROPERTY OF ELECTRO MECHANICAL INDUSTRIES, INC. ANY REPRODUCTION IN PART OR WHOLE WITHOUT THE WRITTEN PERMISSION OF ELECTRO MECHANICAL IND., IS PROHIBITED.

REVISIONS					
REV.	DCN #	DESCRIPTION	DATE	BY	APPROVED
1	01077	CLEVIS ADDED AND HEX WELDMENT ORIENTATION CORRECTED.	09/10/21	JTR	JPB



ITEM NO.	QTY REQD	PART NUMBER	DESCRIPTION	LENGTH	WEIGHT
1	1	W-002-166	2-1/2" DRIVE TOOL WELDMENT, EXT. SIDES		190.5
2	2	P-002-140	DRIVE TOOL SECURING PIN		2.8
3	2	002-00C-0057	.125" WIRE DIA., 2.5" LG, REUSABLE HAIR PIN, ZINC PLD		0.0
4	1	002-00C-0058	CLEVIS PIN, .625 DIA X 8 USABLE, ZINC		

SURFACE FINISH <input checked="" type="checkbox"/> UNLESS OTHERWISE SPECIFIED		UNLESS OTHERWISE SPECIFIED DIMENSIONS ARE IN INCHES		APPROVALS		DATE		 ELECTRO MECHANICAL INDUSTRIES, INC. 11230 NEESEAW DRIVE HOUSTON, TEXAS 77065 1-800-453-0050	
MATERIAL SEE PARTS LIST		TOLERANCES		DRAWN		4/13/2021			
THIRD ANGLE PROJECTION 		.0 ±.06 .00 ±.015 .000 ±.005		CHECKER		4/13/2021		TITLE: 2-1/2" HEX DRIVE TOOL ASSY KIT, EXT. SIDES, 10" HELICAL	
NEXT ASSY		FRACTIONS ± 1/16 ANGLES ± .25°		ENGINEER		4/13/2021			
APPLICATIONS		HOLES: DRILLED OR PUNCHED ± 1/32 BURNED ± 1/32		PRODUCTION		4/13/2021		SIZE B DRAWING NO. 1000-0020-0086 REV 1 SCALE: 1:8 WEIGHT: 196.3 lbs. SHEET 1 OF 1	