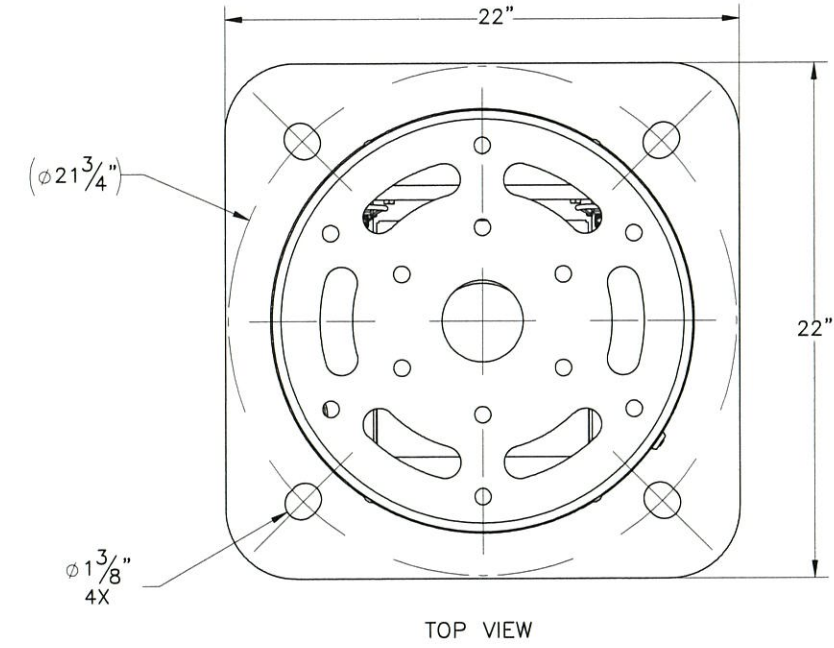
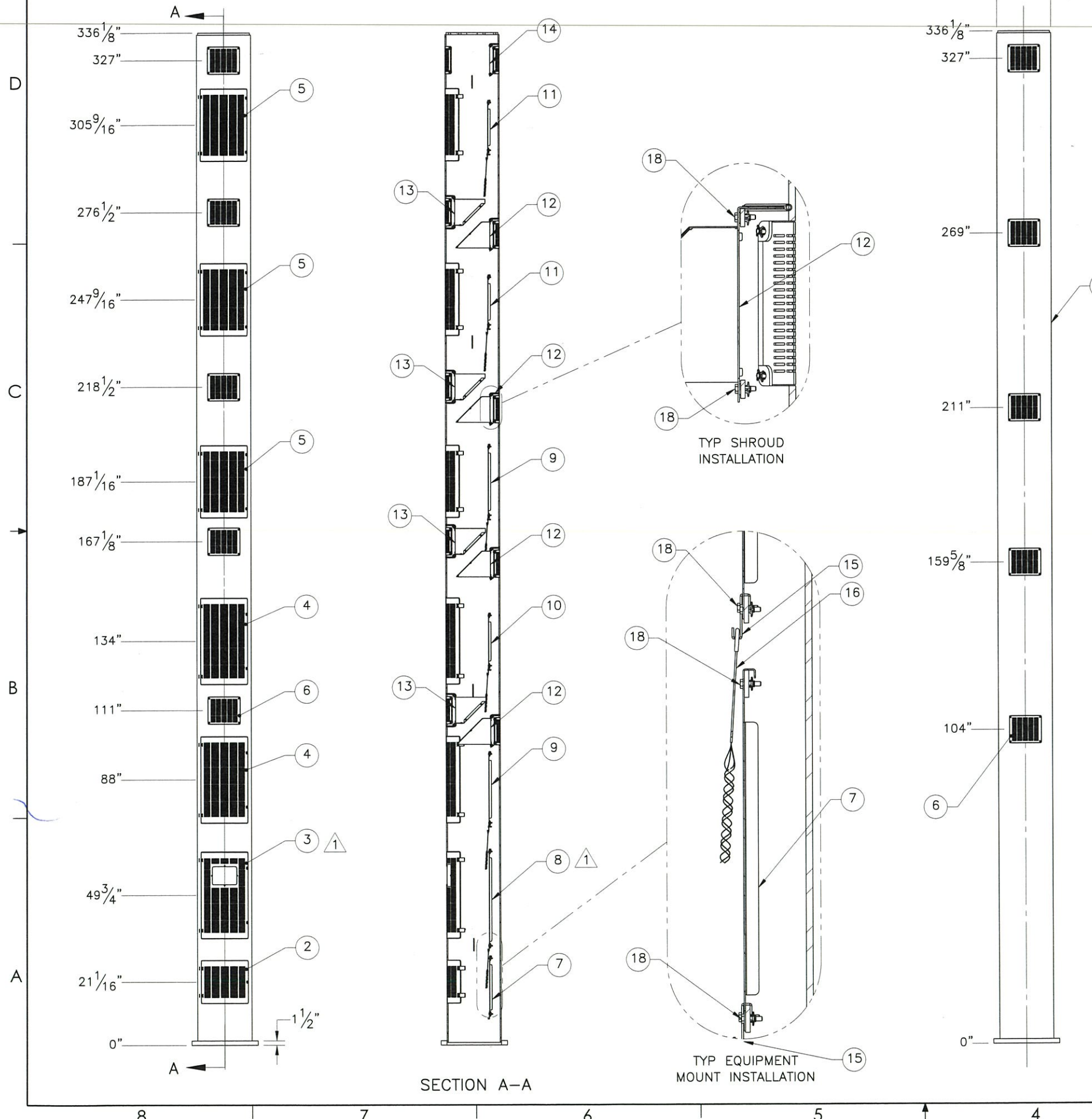


THE INFORMATION CONTAINED IN THIS DRAWING IS THE SOLE PROPERTY OF ELECTRO MECHANICAL INDUSTRIES, INC. ANY REPRODUCTION IN PART OR WHOLE WITHOUT THE WRITTEN PERMISSION OF ELECTRO MECHANICAL IND., IS PROHIBITED.

REVISIONS					
REV.	DCN #	DESCRIPTION	DATE	BY	APPROVED
1	DCN00833	CREATED NEW WINDOWED DOOR ASSEMBLY & BACK PANEL FOR CUSTOMER REQUESTED COMBO METER CAN UPDATE.	04.17.2020	MCG	<i>[Signature]</i>



ITEM NO.	QTY REQD	PART NUMBER	DESCRIPTION	WEIGHT
1	1	A-000-381	BARE MONOPOLE ASSEMBLY, 18" DIA.	1682.5
2	1	A-000-376	DOOR 1 ASSEMBLY	7.1
3	1	A-000-391	DOOR 2, ASSEMBLY 28.5" WITH TOP WINDOW TALL	12.6
4	2	A-000-378	DOOR 3 ASSEMBLY	13.3
5	3	A-000-379	DOOR 4 ASSEMBLY	11.3
6	10	P-004-090	VENT COVER	2.4
7	1	P-004-112	MOUNTING PLATE, RAY CAP AC DISCONNECT	4.86
8	1	P-004-184	MOUNTING PLATE, UNIVERSAL MILLBANK COMBO METER	9.0
9	2	P-004-114	MOUNTING PLATE, NOKIA & ERICSSON MINI RADIO COMBO	6.56
10	1	P-004-115	MOUNTING PLATE, DELTA PSU	4.6
11	2	P-004-116	MOUNTING PLATE, ERICSSON DUAL RADIO	4.4
12	4	A-000-386	DAMPNER SHROUD ASSEMBLY	6.5
13	3	A-000-387	FAN MOUNT SHROUD ASSEMBLY	8.1
14	1	A-000-390	EXHAUST FAN SHROUD ASSEMBLY	2.8
15	14	P-004-122	STRAIN RELIEF HOOK	0.1
16	14	(MCM) 69675K250	SINGLE LOOP CABLE SUPPORT GRIP	0.05
17	54	(MCM) 1566N122	EPDM FOAM STRIP, ADHESIVE BACKED, .125" THICK X 1" X 1"	0.0
18	82	002-0BZ-0055	BOLT, HX HD .25-20UNC x 1.0 LG, FULL THD, GR 5, ZINC	0.02
19	40	COMMON	BHCS, .25"-20UNC X 0.625" LG, ALLOW STEEL, ZINC PL	0.01
20	29	COMMON	RIVET, DOMED HEAD, .25" DIA. X .50" GRIP LG, ZINC PL	0.01

SURFACE FINISH: UNLESS OTHERWISE SPECIFIED	TOLERANCES: .000 ± .005, .001 ± .005, .002 ± .005	APPROVALS: DRAWN C. SANCHEZ, CHECKED, ENGINEER/DESIGNER F. MERCHAN, PRODUCTION J.K.S.	DATE: 3.31.2020, 04.01.2020, 04.01.2020	<p>ELECTRO MECHANICAL INDUSTRIES, INC. 11230 NEECHAW DRIVE HOUSTON, TEXAS 77065 1-800-453-0050</p>
MATERIAL: SEE PARTS LIST	FRACTIONS: 1/16, ANGLES: .25"	<p>4 CARRIER MONOPOLE</p>		
THIRD ANGLE PROJECTION	HOLES: DRILLED OR PUNCHED +1/32, BURNED +1/32	<p>SCALE: 1:4 WEIGHT: 1893.11 lbs. SHEET 1 OF 2</p>		<p>SIZE: B DRAWING NO. 1002-0040-0040 REV 1</p>

