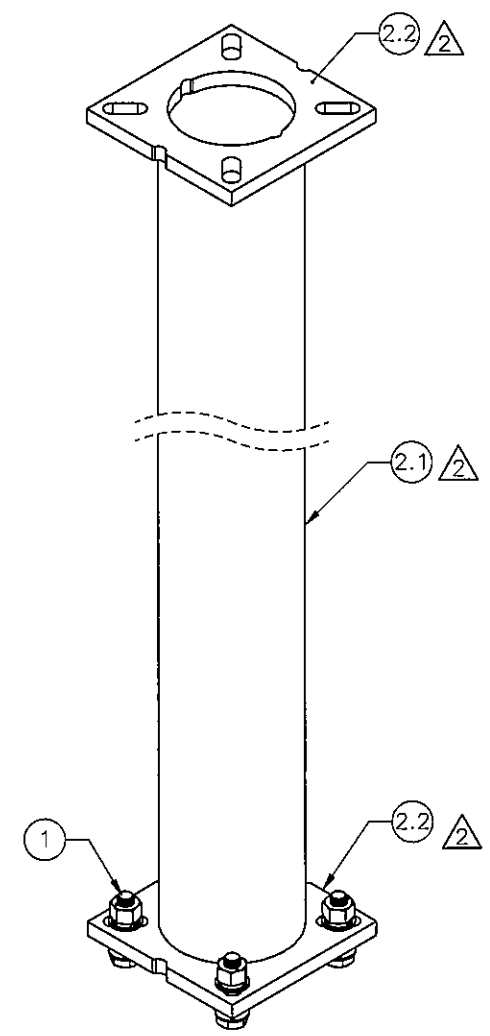
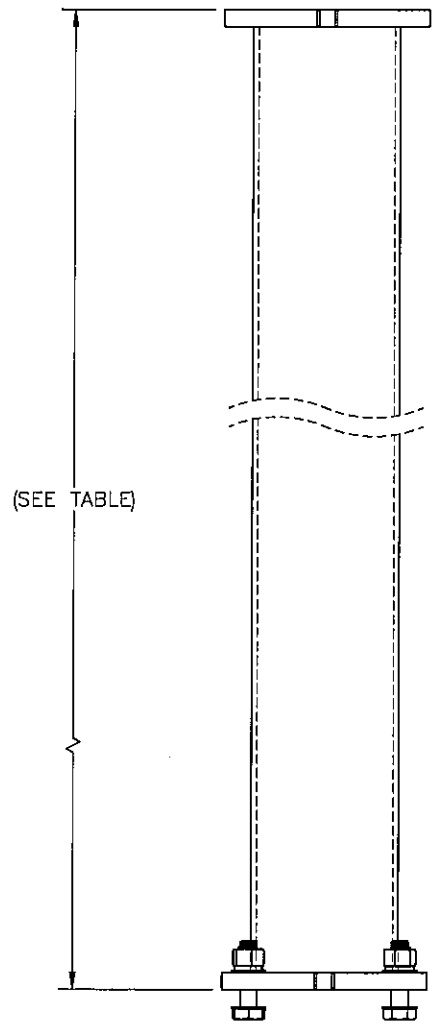



THE INFORMATION CONTAINED IN THIS DRAWING IS THE SOLE PROPERTY OF ELECTRO MECHANICAL INDUSTRIES, INC. ANY REPRODUCTION IN PART OR WHOLE WITHOUT THE WRITTEN PERMISSION OF ELECTRO MECHANICAL IND., IS PROHIBITED.

REVISIONS					
REV.	DCN #	DESCRIPTION	DATE	BY	APPROVED
2	01032	CREATED SUB-B.O.M. FOR WELDMENT	4/14/2021	PG	JPB



ITEM NO.	QTY. REQD.	PART NUMBER	DESCRIPTION	LENGTH	WEIGHT
1	1	1000-0020-0079	1" X 4" MOUNTING HARDWARE KIT		8
2	1	1007-T008-0000-W	10" EXTENSION WELDMENT	SEE TABLE	SEE TABLE
2.1	1	1007-T008-0000_1	HSS 8.625 X 0.322, ASTM A500, 42 KSI MIN. YIELD	SEE TABLE	SEE TABLE
2.2	2	P-001-058	TOP PLATE	12"	25.15

SURFACE FINISH <input checked="" type="checkbox"/> UNLESS OTHERWISE SPECIFIED		UNLESS OTHERWISE SPECIFIED DIMENSIONS ARE IN INCHES		APPROVALS		DATE	
MATERIAL SEE PARTS LIST		TOLERANCES		DRAWN J. CRITELLI		5.4.18	
THIRD ANGLE PROJECTION		FRACTIONS ± 1/16		CHECKED C. SANCHEZ		5.6.18	
NEXT ASSY		HOLES: DRILLED OR PUNCHED ± 1/32		ENGINEER/DESIGNER JB		5.7.18	
USED ON		BURNED ± 1/32		PRODUCTION J.K.S.		5.8.18	
APPLICATIONS							

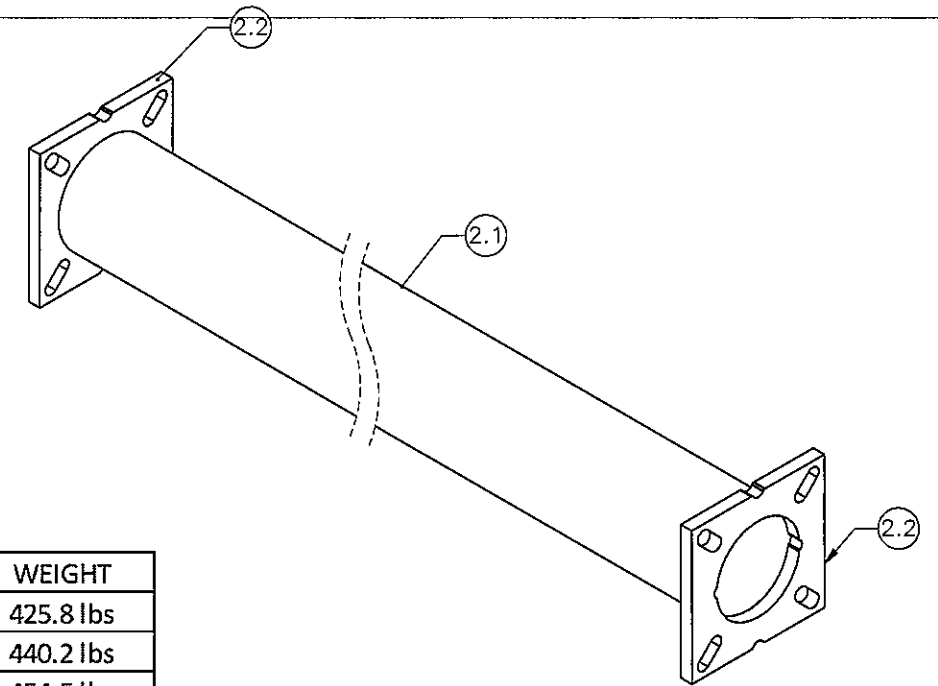
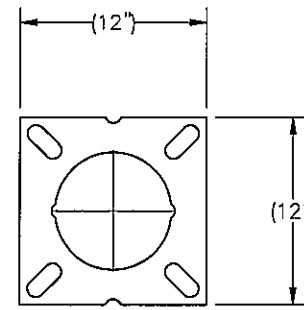
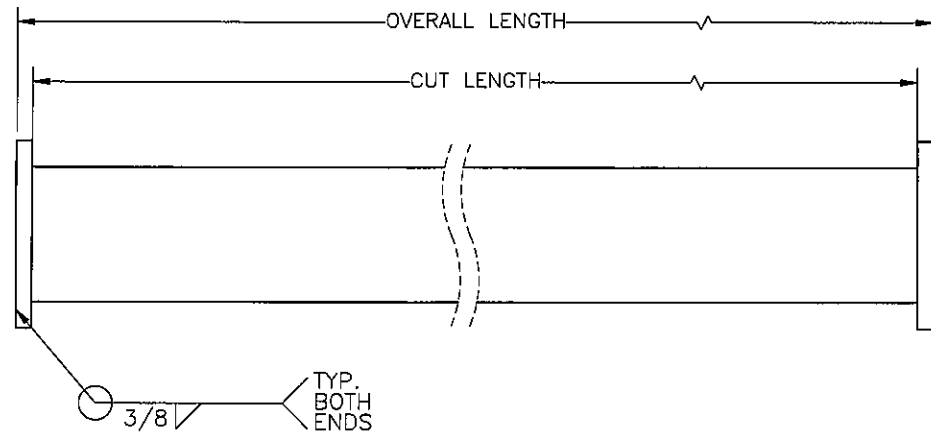


ELECTRO MECHANICAL INDUSTRIES, INC.
11230 NEESEHAW DRIVE
HOUSTON, TEXAS 77065
1-800-453-0050

TITLE: **8" EXTENSION TABLE DRAWING**

SIZE: **B** DRAWING NO. **1007-T008-0000** REV **2**

SCALE: 1:11 WEIGHT: SHEET 1 OF 2



PART #	DESCRIPTION	CUT LENGTH	OVERALL LENGTH	WEIGHT
1007-T008-0060	0.5 FT EXTENSION	4 IN	6 IN	67.6 lbs
1007-T008-0120	1.0 FT EXTENSION	10 IN	12 IN	82.0 lbs
1007-T008-0180	1.5 FT EXTENSION	16 IN	18 IN	96.3 lbs
1007-T008-0240	2.0 FT EXTENSION	22 IN	24 IN	110.7 lbs
1007-T008-0300	2.5 FT EXTENSION	28 IN	30 IN	125.0 lbs
1007-T008-0360	3.0 FT EXTENSION	34 IN	36 IN	139.4 lbs
1007-T008-0420	3.5 FT EXTENSION	40 IN	42 IN	153.7 lbs
1007-T008-0480	4.0 FT EXTENSION	46 IN	48 IN	168.1 lbs
1007-T008-0540	4.5 FT EXTENSION	52 IN	54 IN	182.4 lbs
1007-T008-0600	5.0 FT EXTENSION	58 IN	60 IN	196.8 lbs
1007-T008-0660	5.5 FT EXTENSION	64 IN	66 IN	211.1 lbs
1007-T008-0720	6.0 FT EXTENSION	70 IN	72 IN	225.5 lbs
1007-T008-0780	6.5 FT EXTENSION	76 IN	78 IN	239.8 lbs
1007-T008-0840	7.0 FT EXTENSION	82 IN	84 IN	254.2 lbs
1007-T008-0900	7.5 FT EXTENSION	88 IN	90 IN	268.5 lbs
1007-T008-0960	8.0 FT EXTENSION	94 IN	96 IN	282.9 lbs
1007-T008-1020	8.5 FT EXTENSION	100 IN	102 IN	297.2 lbs
1007-T008-1080	9.0 FT EXTENSION	106 IN	108 IN	311.6 lbs
1007-T008-1140	9.5 FT EXTENSION	112 IN	114 IN	325.9 lbs
1007-T008-1200	10.0 FT EXTENSION	118 IN	120 IN	340.3 lbs
1007-T008-1260	10.5 FT EXTENSION	124 IN	126 IN	354.6 lbs
1007-T008-1320	11.0 FT EXTENSION	130 IN	132 IN	369.0 lbs
1007-T008-1380	11.5 FT EXTENSION	136 IN	138 IN	383.3 lbs
1007-T008-1440	12.0 FT EXTENSION	142 IN	144 IN	397.7 lbs
1007-T008-1500	12.5 FT EXTENSION	148 IN	150 IN	412.0 lbs

PART #	DESCRIPTION	CUT LENGTH	OVERALL LENGTH	WEIGHT
1007-T008-1560	13.0 FT EXTENSION	154 IN	156 IN	425.8 lbs
1007-T008-1620	13.5 FT EXTENSION	160 IN	162 IN	440.2 lbs
1007-T008-1680	14.0 FT EXTENSION	166 IN	168 IN	454.5 lbs
1007-T008-1740	14.5 FT EXTENSION	172 IN	174 IN	468.9 lbs
1007-T008-1800	15.0 FT EXTENSION	178 IN	180 IN	483.2 lbs
1007-T008-1860	15.5 FT EXTENSION	184 IN	186 IN	497.6 lbs
1007-T008-1920	16.0 FT EXTENSION	190 IN	192 IN	511.9 lbs
1007-T008-1980	16.5 FT EXTENSION	196 IN	198 IN	526.3 lbs
1007-T008-2040	17.0 FT EXTENSION	202 IN	204 IN	540.6 lbs
1007-T008-2100	17.5 FT EXTENSION	208 IN	210 IN	555.0 lbs
1007-T008-2160	18.0 FT EXTENSION	214 IN	216 IN	569.3 lbs
1007-T008-2220	18.5 FT EXTENSION	220 IN	222 IN	583.7 lbs
1007-T008-2280	19.0 FT EXTENSION	226 IN	228 IN	598.0 lbs
1007-T008-2340	19.5 FT EXTENSION	232 IN	234 IN	612.4 lbs
1007-T008-2400	20.0 FT EXTENSION	238 IN	240 IN	626.7 lbs
1007-T008-2460	20.5 FT EXTENSION	244 IN	246 IN	641.1 lbs
1007-T008-2520	21.0 FT EXTENSION	250 IN	252 IN	655.4 lbs
1007-T008-2580	21.5 FT EXTENSION	256 IN	258 IN	669.8 lbs
1007-T008-2640	22.0 FT EXTENSION	262 IN	264 IN	684.1 lbs
1007-T008-2700	22.5 FT EXTENSION	268 IN	270 IN	698.5 lbs
1007-T008-2760	23.0 FT EXTENSION	274 IN	276 IN	712.8 lbs
1007-T008-2820	23.5 FT EXTENSION	280 IN	282 IN	727.2 lbs
1007-T008-2880	24.0 FT EXTENSION	286 IN	288 IN	741.5 lbs
1007-T008-2940	24.5 FT EXTENSION	292 IN	294 IN	755.9 lbs
1007-T008-3000	25.0 FT EXTENSION	298 IN	300 IN	770.2 lbs

NOTES:
UNLESS OTHERWISE SPECIFIED,

- ALL WELDING PER AWS D1.1, FCAW, E7XT-1 AND GMAW, ER70S-6 ELECTRODES.
- SQUARENESS OF WELDED COMPONENTS TO BE WITHIN +/- 1/16".
- ALL WELDS 3/16" FILLET OR SEAM WELDS ALL AROUND AS APPLICABLE PER JOINT.
- ALL CAPTIVE TUBES MUST HAVE MIN. TWO WEEP HOLES (ONE UPPER, ONE LOWER) 7/16" DIA.
- GALVANIZE PER ASTM A123.

EMI ELECTRO MECHANICAL INDUSTRIES, INC.
11230 NEESHAW DRIVE
HOUSTON, TEXAS 77065
1-800-453-0050

SIZE: B DRAWING NO. 1007-T008-0000 REV 2
SCALE: 1:12 SHEET 2 OF 2