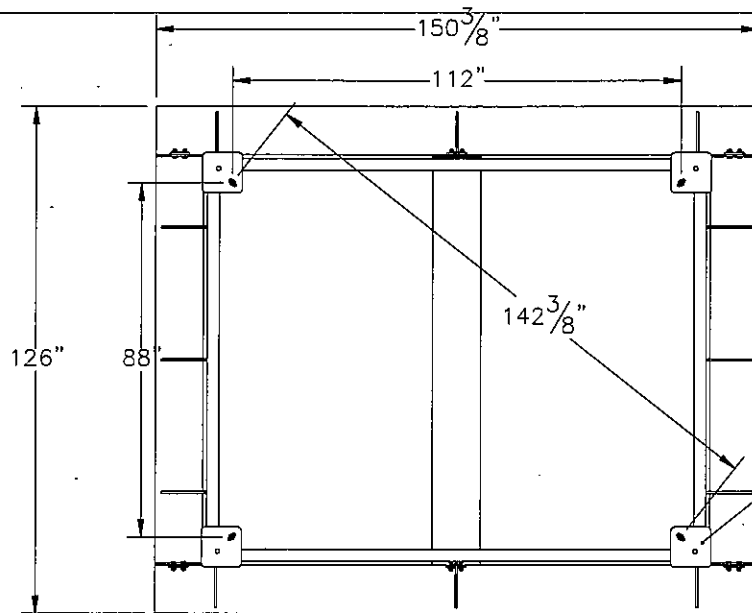


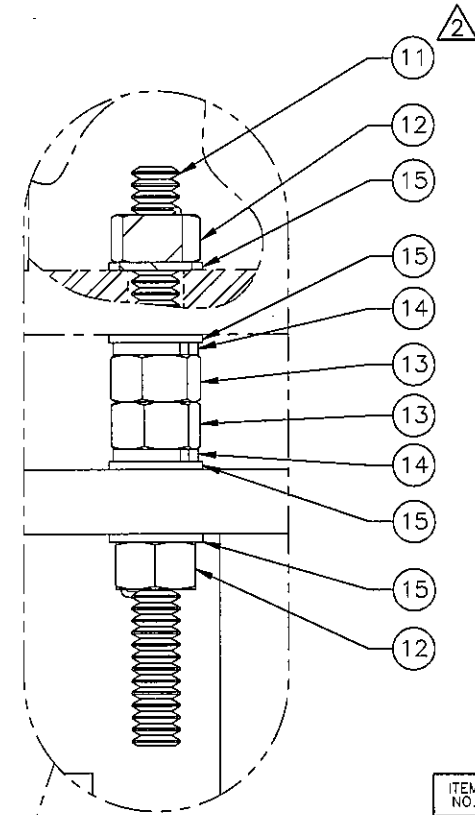
THE INFORMATION CONTAINED IN THIS DRAWING IS THE SOLE PROPERTY OF ELECTRO MECHANICAL INDUSTRIES, INC. ANY REPRODUCTION IN PART OR WHOLE WITHOUT THE WRITTEN PERMISSION OF ELECTRO MECHANICAL IND., IS PROHIBITED.

REVISIONS					
REV.	DCN #	DESCRIPTION	DATE	BY	APPROVED
2	DCN00874	UPDATED WRONG PART# FOR ITEM #11 AND REPLACED DH NUTS WITH 2H	6.17.2020	JGC	JPB



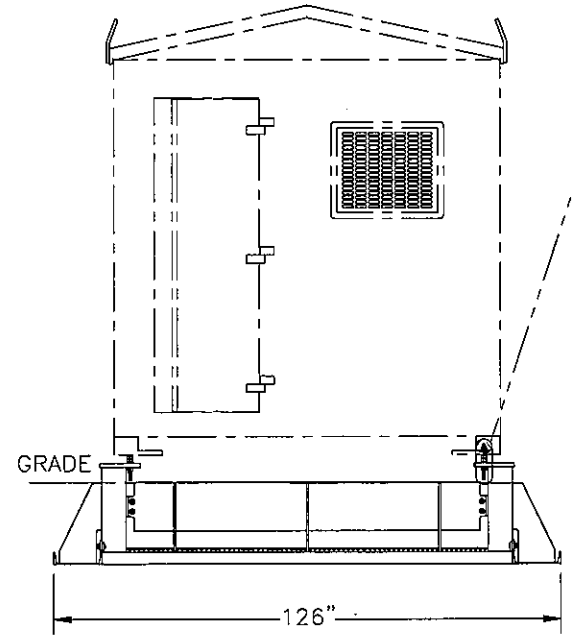
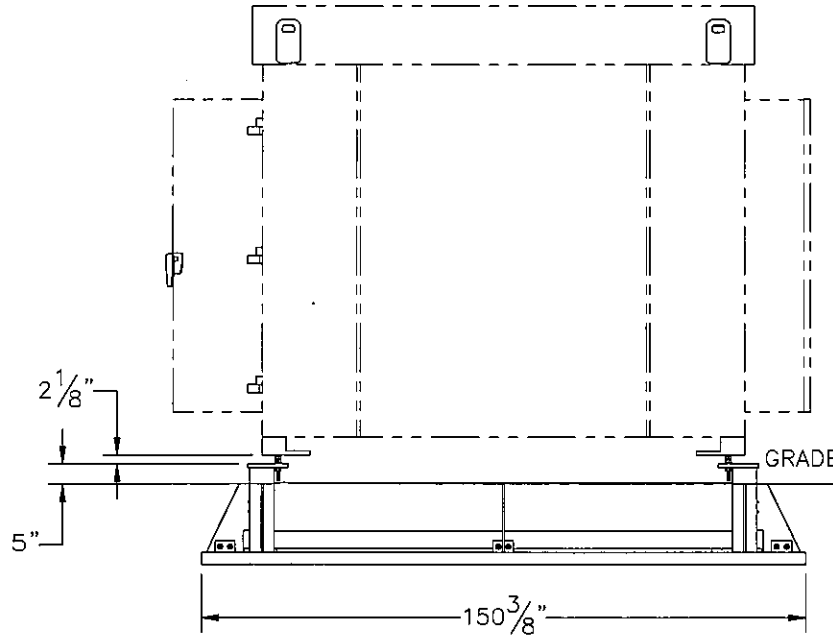
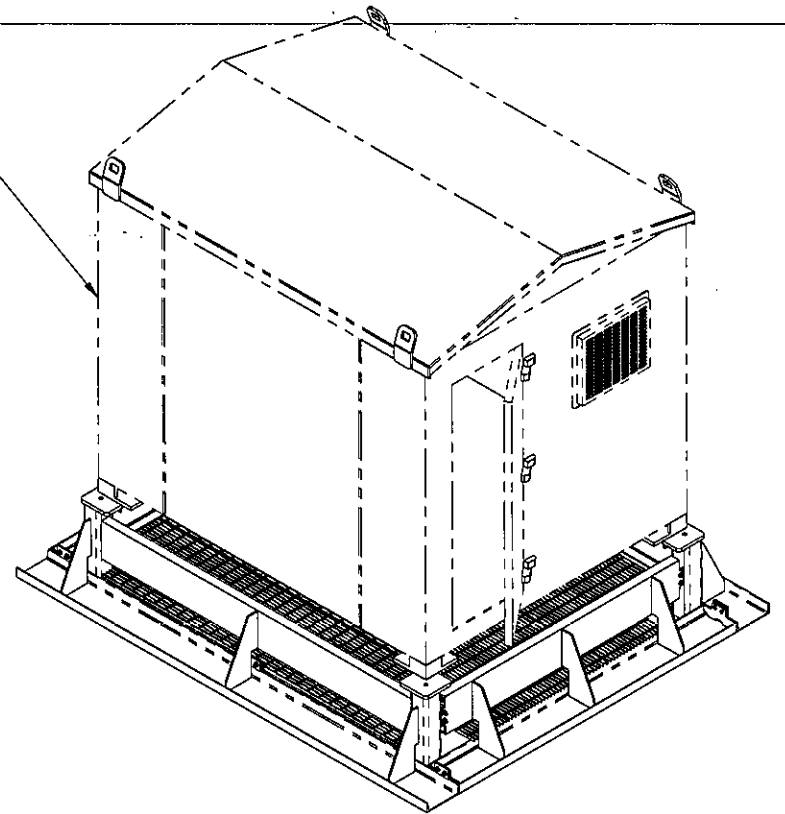
GRATING HIDDEN FOR CLARITY

HUT CONNECTION PLATES AT ALL LOCATIONS FOR STABILITY


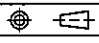


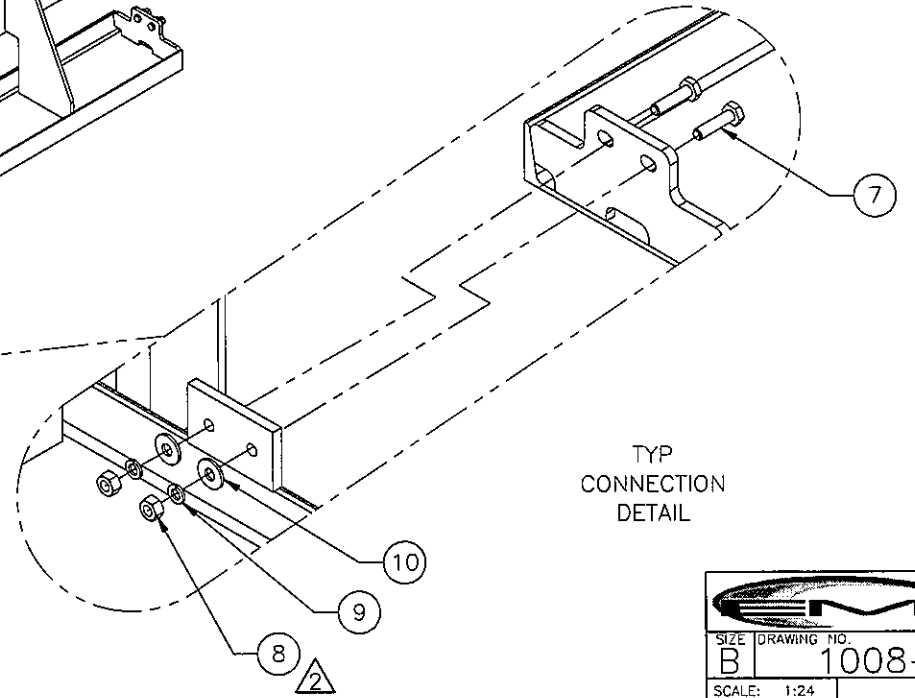
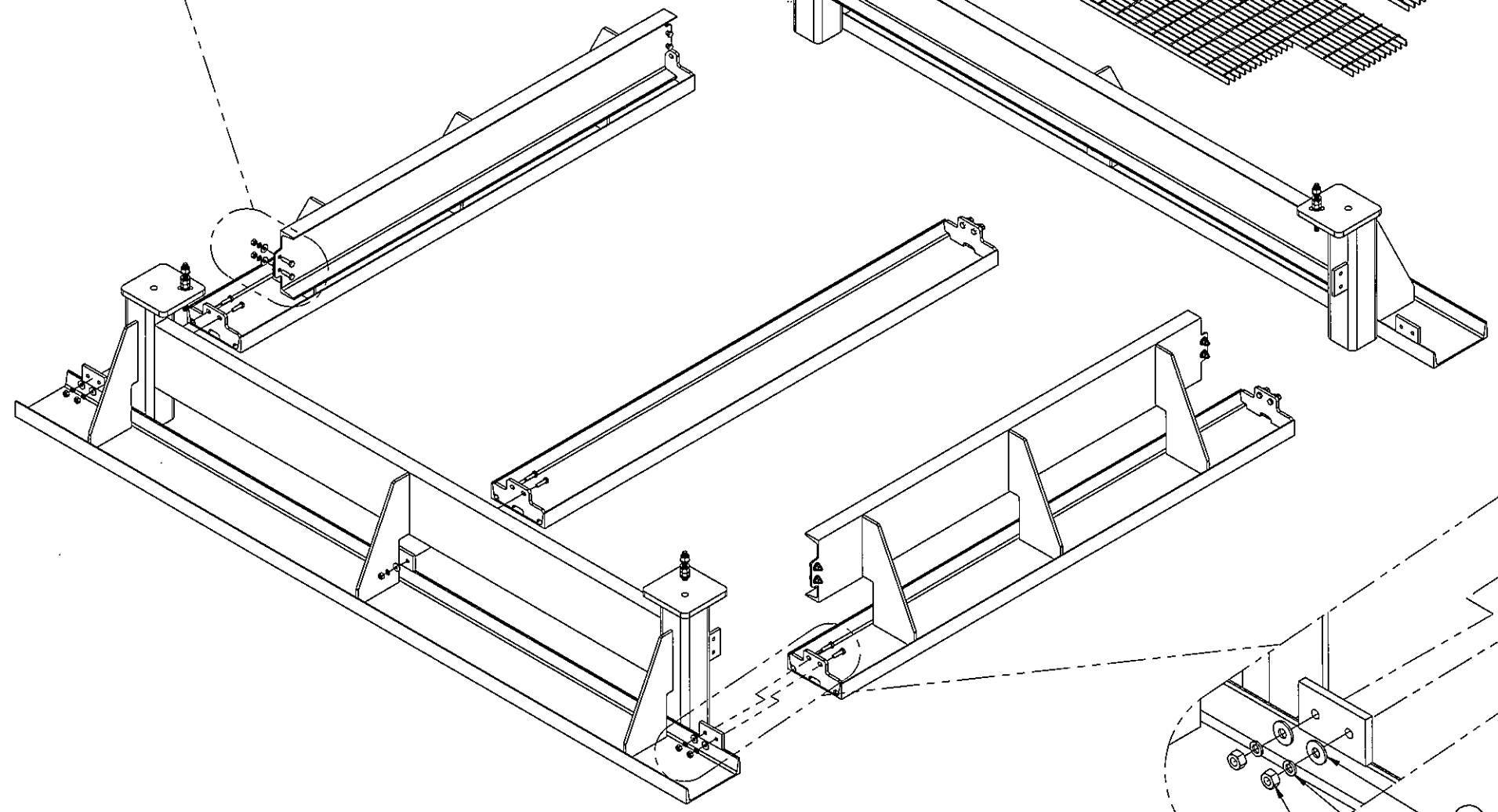
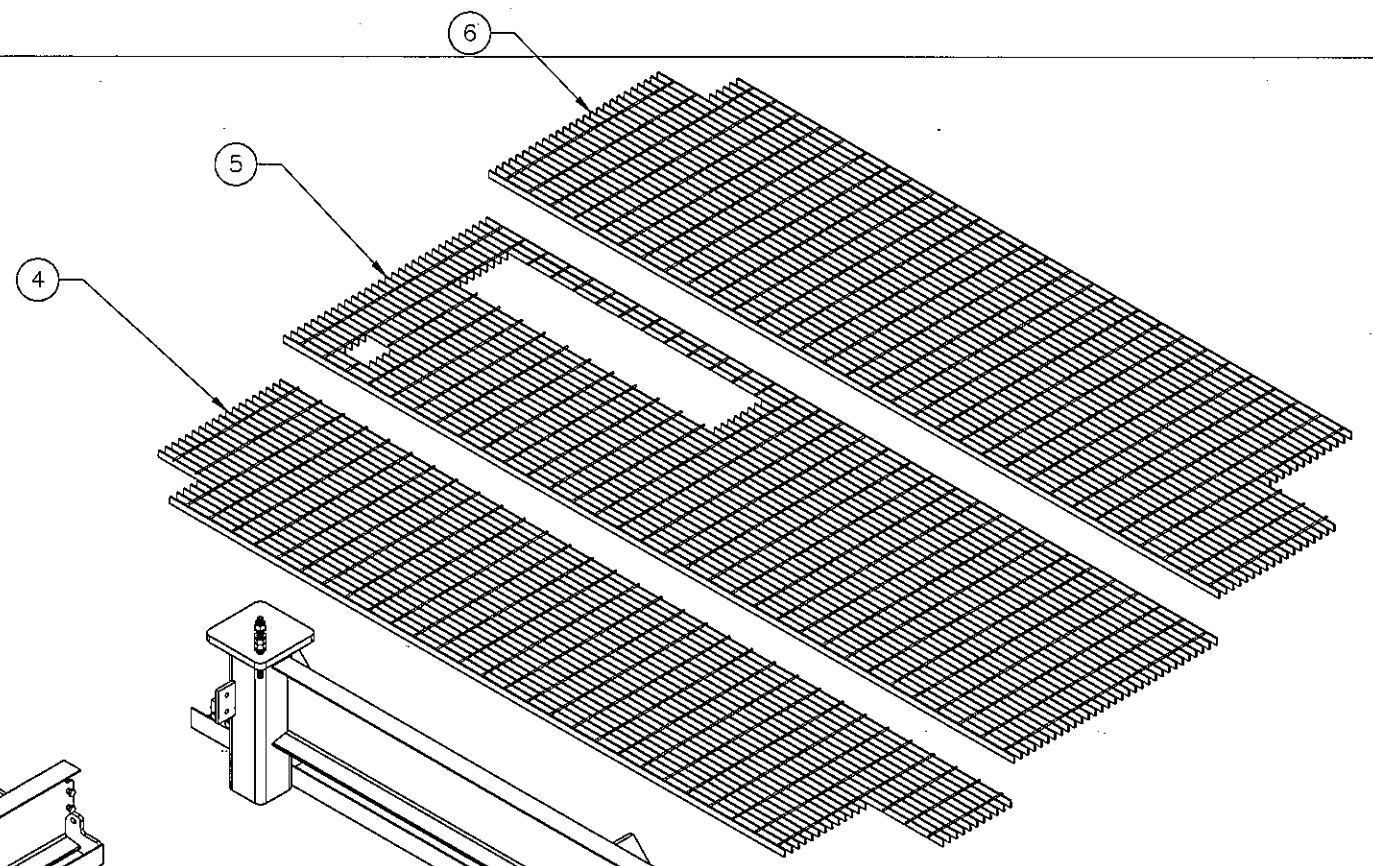
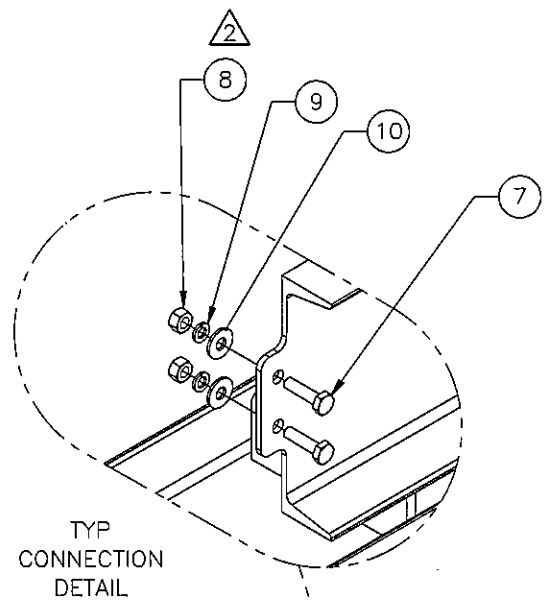
TYP LEVELING HARDWARE  
DETAIL 4X

HUT SHOWN FOR REPRESENTATION ONLY



ITEM NO.	QTY REQD	PART NUMBER	DESCRIPTION	LENGTH	WEIGHT
1	2	W-000-694	8 X 10 FOUNDATION LONG SIDE WELDMENT		718.30
2	2	W-000-695	8 X 10 FOUNDATION SHORT SIDE WELDMENT		395.66
3	1	W-000-697	CENTER GRATING SUPPORT WELDMENT		186.56
4	1	P-001-786	LEFT GRATING PANEL	128 11/16"	162.23
5	1	P-001-787	MIDDLE GRATING PANEL	128 11/16"	203.07
6	1	P-001-788	RIGHT SIDE GRATING PANEL	128 11/16"	212.78
7	20	002-0BG-0014	BOLT, HEX HD, .500-13UNC X 2.0 LG, ASTM A325, GALV		0.2
8	20	002-0NG-0010	NUT, HEX, .500-13UNC, GR 2H, GALV		0.06
9	20	002-0LW-G002	WASHER, SPLIT LOCK, .500", GALV		0.01
10	20	002-0FW-G020	WASHER, FLAT, .500", USS, GALV		0.04
11	4	002-0AT-HA05	ROD, THREADED, .75-10UNC X 9.00 LG, ASTM A193 B7, GALV		0.834
12	8	002-0NG-0016	NUT, HX, ANCO LOCKNUT, .75-10UNC, GR 2H, GALV		0.19
13	8	002-0NG-0002	NUT, HX, .75-10UNC, GR 2H, GALV		0.19
14	8	002-0LW-G003	WASHER, SPLIT LOCK, .75, GALV		0.05
15	16	002-0FW-G003	WASHER, FLAT, .75 INCH, ASTM F436, GALV		0.04

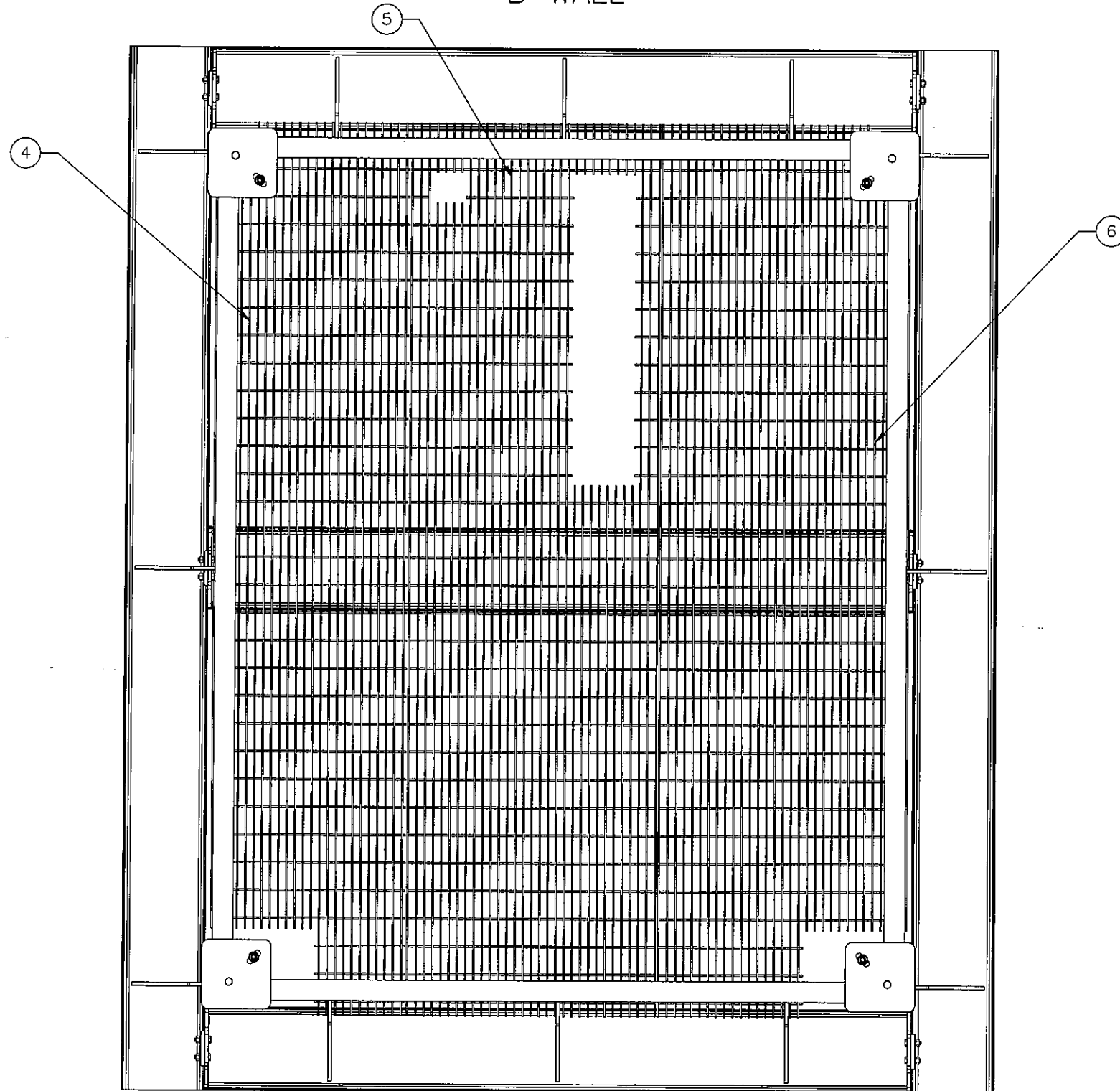
SURFACE FINISH <input checked="" type="checkbox"/> UNLESS OTHERWISE SPECIFIED		UNLESS OTHERWISE SPECIFIED DIMENSIONS ARE IN INCHES		APPROVALS		DATE		 ELECTRO MECHANICAL INDUSTRIES, INC. 11230 NEEDSHAW DRIVE HOUSTON, TEXAS 77065 1-200-453-0050	
MATERIAL SEE PARTS LIST		TOLERANCES		DRAWN J. CRITELLI		10.18.17			
THIRD ANGLE PROJECTION 		0 ±.06 .00 ±.01 .000 ±.005		CHECKED C. SANCHEZ		10.20.17		TITLE: BURIED FRAME, 8X10 HUT FOUNDATION SALES	
NEXT ASSY		FRACTIONS ± 1/16		ENGINEER/DESIGNER J. B		10.20.17		SIZE B DRAWING NO. 1008-0000-0004	
APPLICATIONS		ANGLES ± .25°		PRODUCTION J. BOWLDS		10.20.17		REV 2	
		HOLES: DRILLED OR PUNCHED ± 1/32						SCALE: 1:48 WEIGHT: 3005.78 lbs. SHEET 1 OF 3	
		BURNED ± 1/32							



A WALL

B WALL

C WALL



TOP VIEW

D WALL