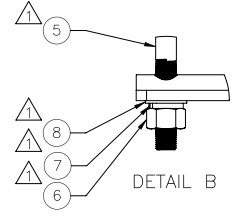
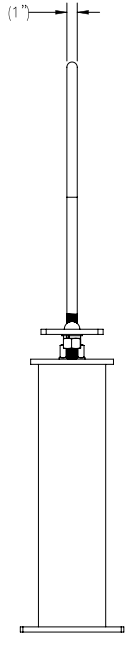
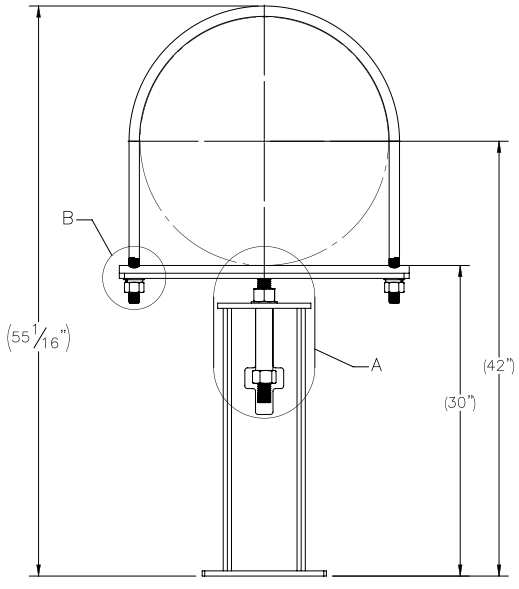
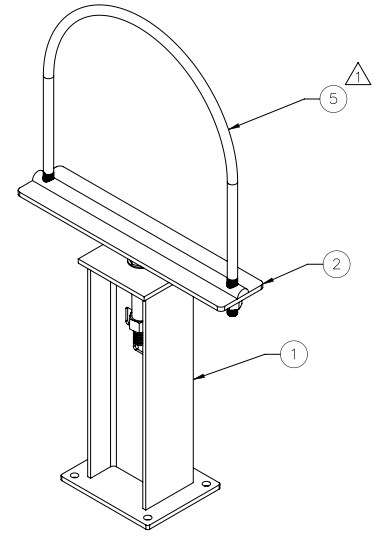
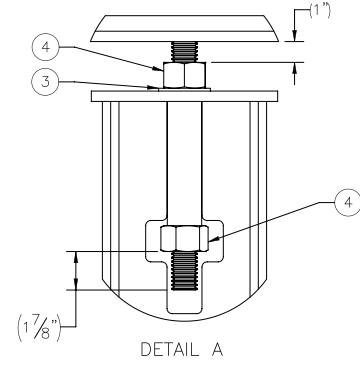
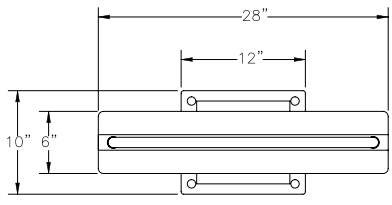


THE INFORMATION CONTAINED IN THIS DRAWING IS THE SOLE PROPERTY OF ELECTRO MECHANICAL INDUSTRIES, INC. ANY REPRODUCTION IN PART OR WHOLE WITHOUT THE WRITTEN PERMISSION OF ELECTRO MECHANICAL IND., IS PROHIBITED.

REVISIONS					
REV.	DCN #	DESCRIPTION	DATE	BY	APPROVED
1	DCN00785	UPDATED WRONG PART# OF U-BOLT. ADDED SPLIT LOCKS, FLAT WASHERS & NUTS TO BOM	6.22.2020	JGC	JPB



ITEM NO.	QTY REQD	PART NUMBER	DESCRIPTION	WEIGHT
1	1	W-001-733	30" STAND, PIPE JACK, WELDMENT	76.81
2	1	W-001-769	STAND, 24" PIPE JACK ADJUSTMENT ROD	26.85
3	1	002-0FW-G011	WASHER, FLAT, 1.25, ASTM F436, GALV	0.13
4	2	002-0NG-0022	NUT, HEAVY HEX, 1-1/4"-7, GR 2H, GALV.	0.791
5	1	002-0DU-G031	3/4 THD LGTH, A36 WITH POLYSHRINK. HALF-ROUND I-ROD	2.820
6	2	002-0NG-0008	NUT, HX, 1.00"-8UNC, GR 2H, GALV	0.42
7	2	002-0LW-G008	WASHER, SPLIT LOCK, 1.00", GALV	0.09
8	2	002-0FW-G009	WASHER, FLAT, 1.00", F436, GALV	0.08

SURFACE FINISH		UNLESS OTHERWISE SPECIFIED		DIMENSIONS ARE IN INCHES		APPROVALS		DATE	
MATERIAL	SEE PARTS LIST	TOLERANCES	± .04	DRAWN	B. HURSON	12.20.2019	TITLE: 24" PIPE STAND FOUNDATION		
THIRD ANGLE PROJECTION		FRACTIONS	± 1/16	CHECKED	R. WOODARD	12.23.19	ENGINEER/DESIGNER J. BREEN		
NEXT ASSY	USED ON	ANGLES	± .25"	PRODUCTION	J. BREEN	1.8.20	REV 1		
APPLICATIONS		HOLES:	DRILLED OR PUNCHED ± 1/32	SCALE:	1:12	WEIGHT:	109.38 lbs.	SHEET 1 OF 1	
		BURNED	± 1/32						

ELECTRO MECHANICAL INDUSTRIES, INC.  
11230 NEESHAW DRIVE  
HOUSTON, TEXAS 77065  
1-800-453-0050