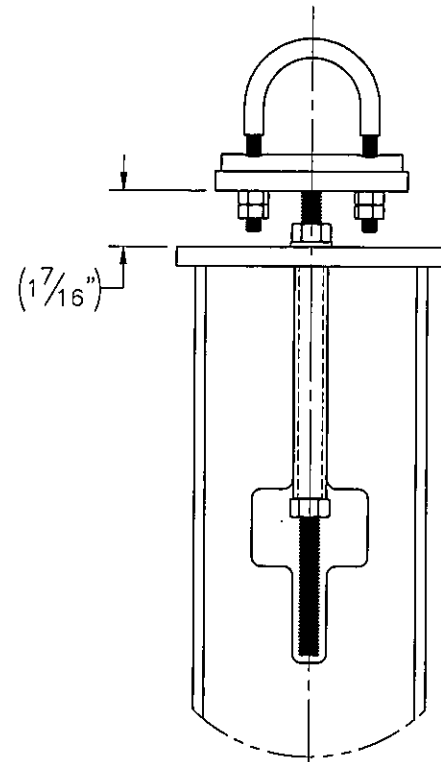
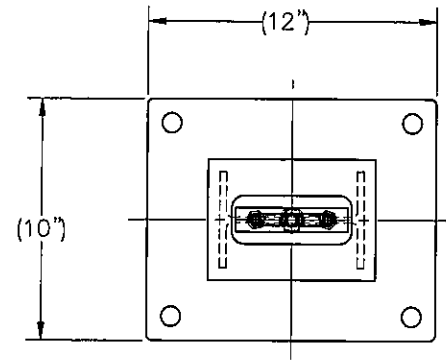
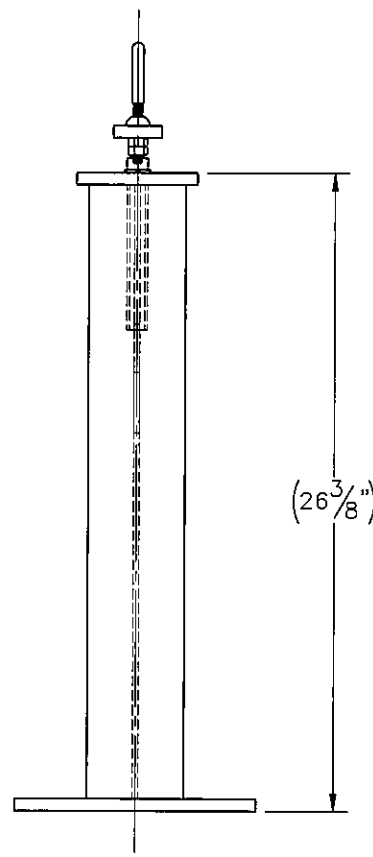
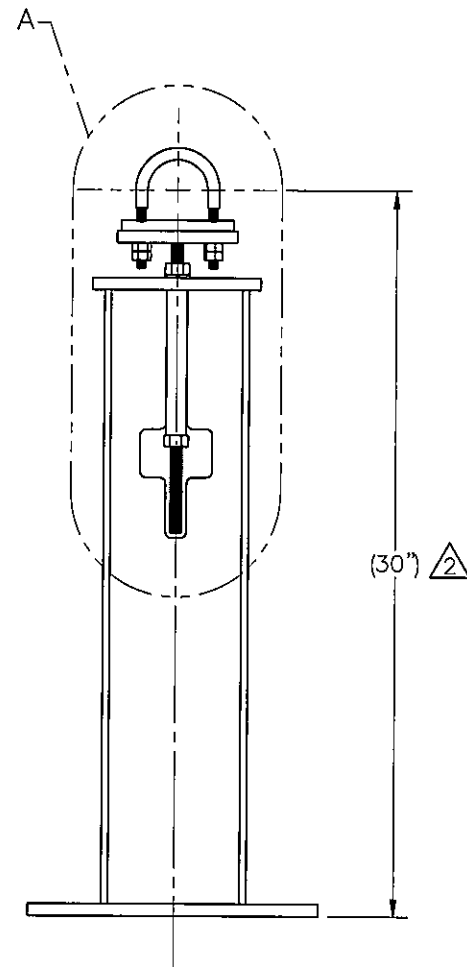
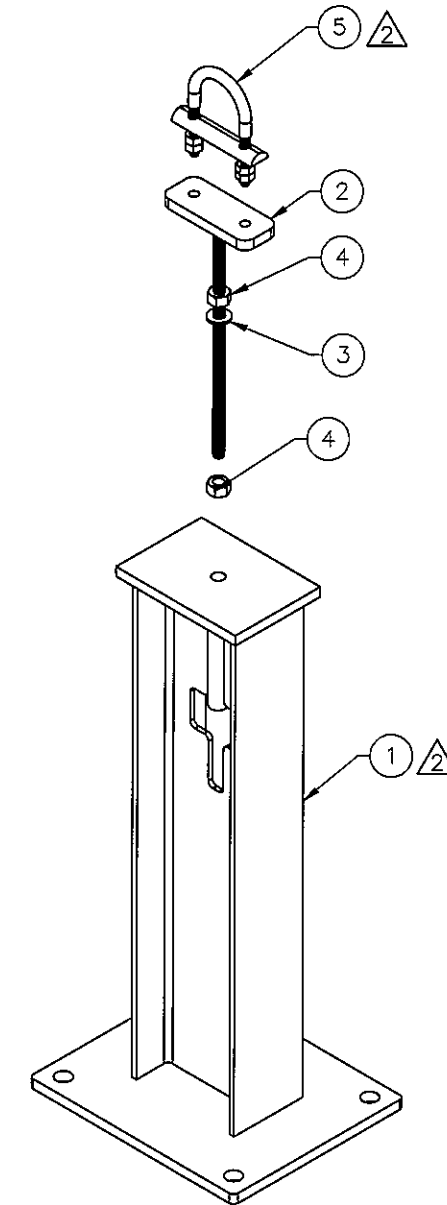


THE INFORMATION CONTAINED IN THIS DRAWING IS THE SOLE PROPERTY OF ELECTRO MECHANICAL INDUSTRIES, INC. ANY REPRODUCTION IN PART OR WHOLE WITHOUT THE WRITTEN PERMISSION OF ELECTRO MECHANICAL IND., IS PROHIBITED.


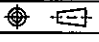
REVISIONS					
REV.	DCN #	DESCRIPTION	DATE	BY	APPROVED
2	DCN00993	VISUALLY UPDATED FOR BELOW CHANGES, CHANGED U-BOLT 002-00U-G040 WAS 002-00U-G018, REMOVED 002-0NG-0003, 002-0FW-G005, 002-0LW-G005, ADDED ISOMETRIC EXPLODED VIEW, UPDATED PIPE STAND REFERENCE HEIGHT DIMENSION 30" WAS 29 5/8"	1/7/2021	PG	JPB



DETAIL A



ITEM NO.	QTY REQD	PART NUMBER	DESCRIPTION	LENGTH	WEIGHT
1	1	W-001-956	30" STAND, PIPE JACK, WELDMENT		46.45
2	1	W-001-814	STAND, 2" PIPE JACK ADJUSTMENT ROD		1.84
3	1	002-0FW-G002	WASHER, FLAT, .500", F436, GALV		0.02
4	2	002-0NG-0010	NUT, HEX, .500-13UNC, GR 2H, GALV		0.06
5	1	002-00U-G040	2" PIPE ISOLATING U-BOLT, .375-16 X 2.50 THD GALV. WITH POLYSHRINK		0.58

SURFACE FINISH <input checked="" type="checkbox"/> UNLESS OTHERWISE SPECIFIED		UNLESS OTHERWISE SPECIFIED DIMENSIONS ARE IN INCHES		APPROVALS		DATE		 ELECTRO MECHANICAL INDUSTRIES, INC. 11230 NEESHAW DRIVE HOUSTON, TEXAS 77065 1-800-453-0050	
MATERIAL SEE PARTS LIST		TOLERANCES		DRAWN bhutson		02.13.2020			
THIRD ANGLE PROJECTION 		.0 ±.06 .00 ±.015 .000 ±.005 FRACTIONS ± 1/16 ANGLES ± .25° HOLES: DRILLED OR PUNCHED ± 1/32 BURNED ± 1/32		CHECKED JBREEN		2.17.20		TITLE: 2" PIPE STAND FOUNDATION	
NEXT ASSY USED ON APPLICATIONS				ENGINEER/DESIGNER JBREEN		2.17.20			
				PRODUCTION JKS		2.17.20		SIZE B DRAWING NO. 1008-0000-0018 REV 2	
				SCALE: 1:8		WEIGHT: 49.01 lbs.		SHEET 1 OF 1	