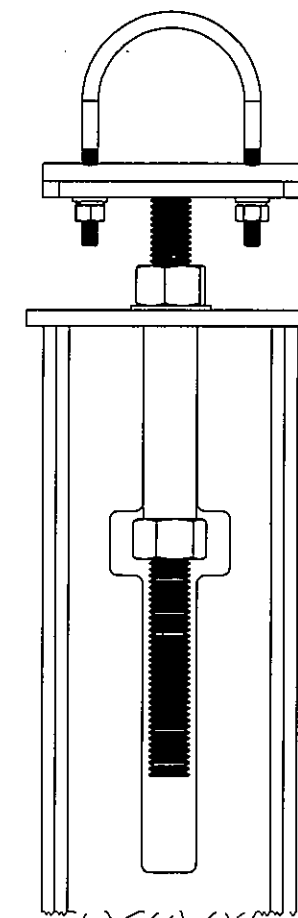
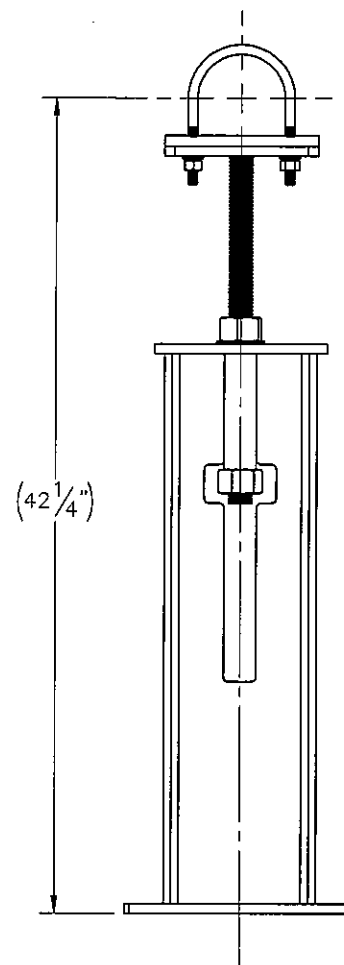
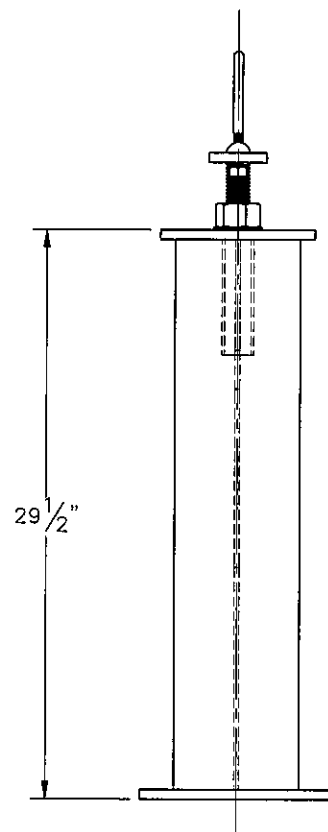
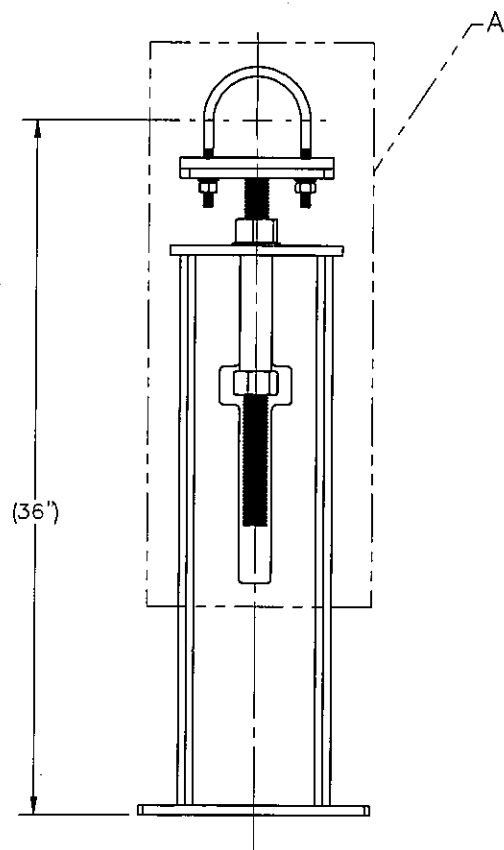
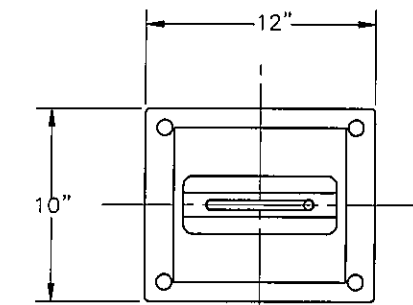
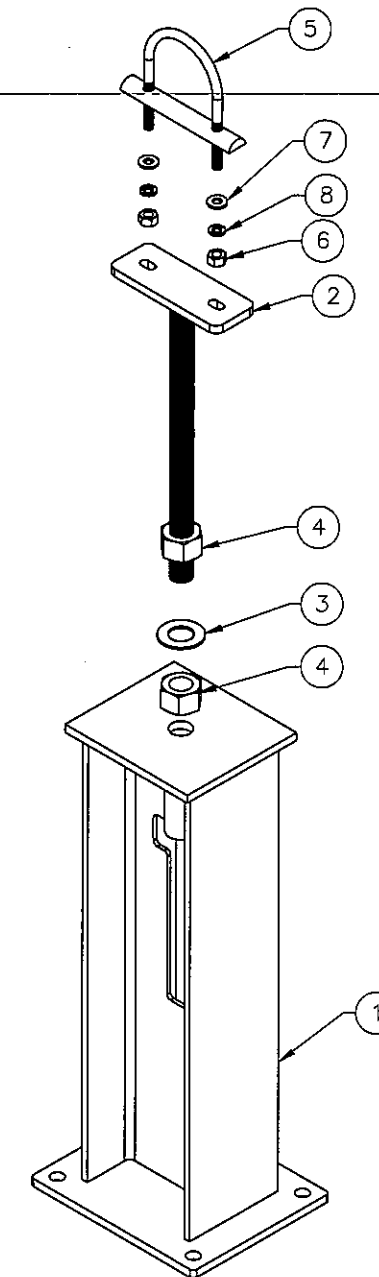



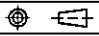
THE INFORMATION CONTAINED IN THIS DRAWING IS THE SOLE PROPERTY OF ELECTRO MECHANICAL INDUSTRIES, INC. ANY REPRODUCTION IN PART OR WHOLE WITHOUT THE WRITTEN PERMISSION OF ELECTRO MECHANICAL IND., IS PROHIBITED.



DETAIL A



ITEM NO.	QTY	PART NUMBER	DESCRIPTION	LENGTH	WEIGHT
1	1	W-002-004	STAND, PIPE JACK WELDMENT FOR 36" PIPE' ELEV.		82.8
2	1	W-002-005	STAND, 4" PIPE JACK ADJUSTMENT ROD		8.5
3	1	002-0FW-G011	WASHER, FLAT, 1.25, ASTM F436, GALV		0.13
4	2	002-ONG-0022	NUT, HEAVY HEX, 1-1/4"-7, GR 2H, GALV.		0.791
5	1	002-00U-G030	4.00 PIPE ISOLATING U BOLT, .500-13 X 3.00 THD. LGTH. X 4.5625 ID X 6.8125 HT. GALV. WITH POLYSHRINK, HALF-ROUND I-ROD		2.0
6	2	002-ONG-0010	NUT, HEX, .500-13UNC, GR 2H, GALV		0.06
7	2	002-0FW-G002	WASHER, FLAT, .500", F436, GALV		0.02
8	2	002-OLW-G002	WASHER, SPLIT LOCK, .500", GALV		0.01

SURFACE FINISH <input checked="" type="checkbox"/> UNLESS OTHERWISE SPECIFIED		UNLESS OTHERWISE SPECIFIED DIMENSIONS ARE IN INCHES		APPROVALS	DATE	 <p>ELECTRO MECHANICAL INDUSTRIES, INC. 11230 NEESEAW DRIVE HOUSTON, TEXAS 77065 1-800-453-0050</p>
MATERIAL SEE PARTS LIST		TOLERANCES		DRAWN		
THIRD ANGLE PROJECTION 		.00 ± .06 .000 ± .015 .000 ± .005		CHECKED		
NEXT ASSY USED ON		FRACTIONS ± 1/16 ANGLES ± .25° HOLES: DRILLED OR PUNCHED +.02 REAMED +.01		ENGINEER/DISIGNER		
APPLICATIONS				J.K.S.	7/17/2020	<p>4" PIPE STAND FOUNDATION</p> <p>SIZE B DRAWING NO. 1008-0000-0022</p>