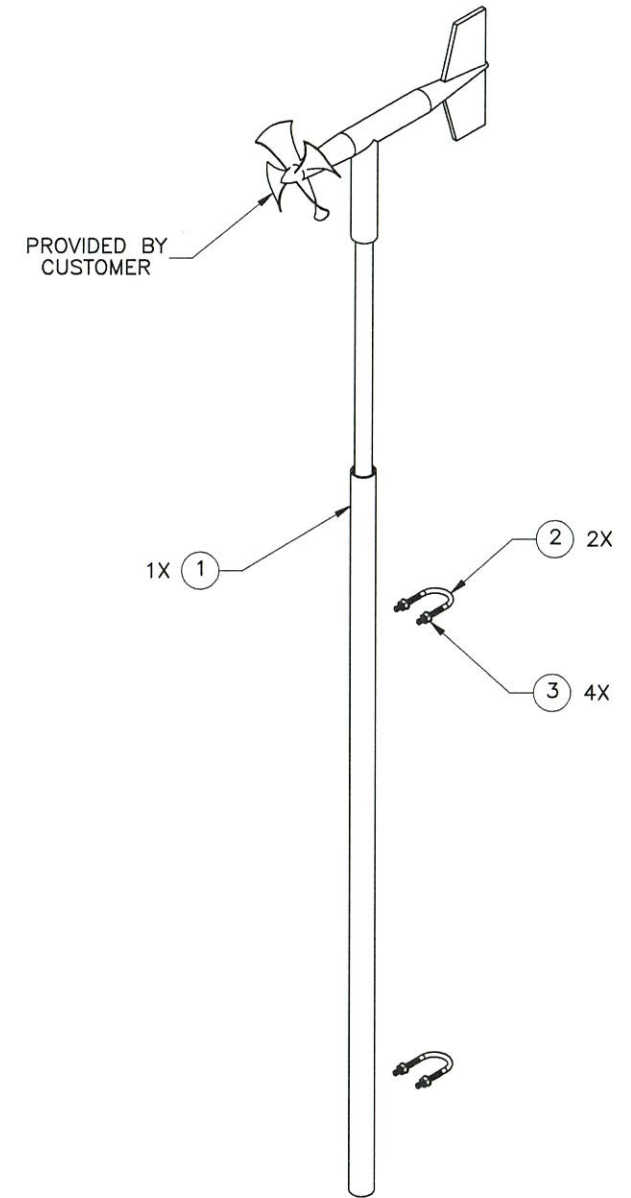
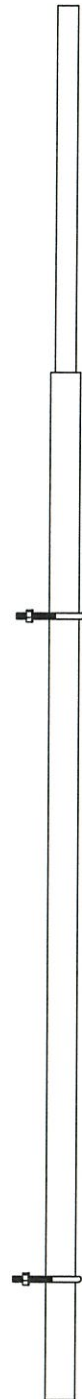
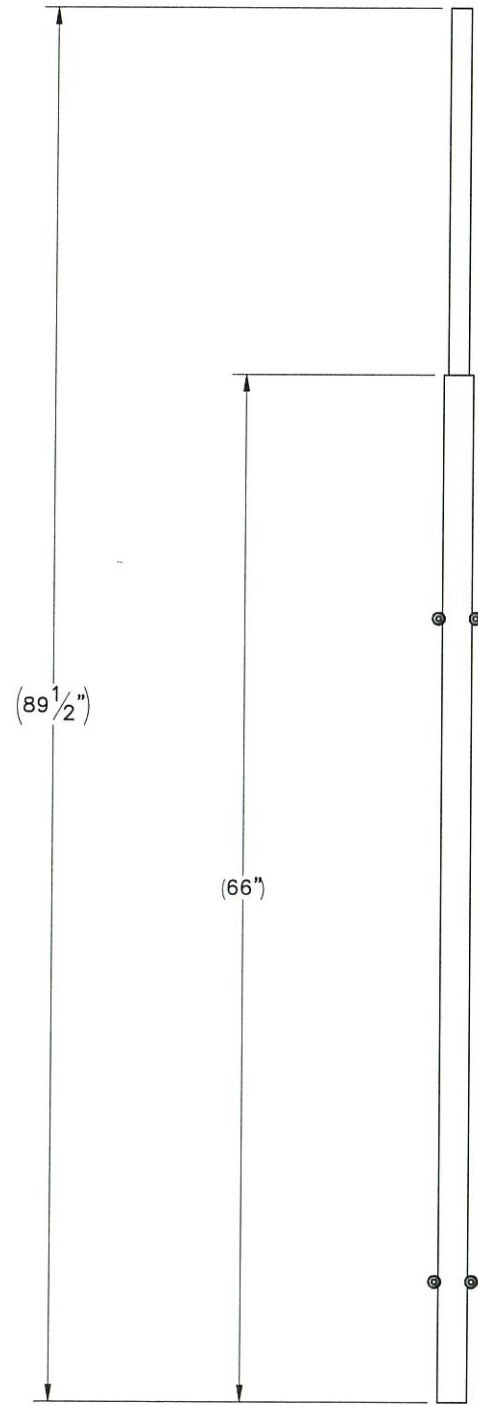

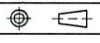


THE INFORMATION CONTAINED IN THIS DRAWING IS THE SOLE PROPERTY OF ELECTRO MECHANICAL INDUSTRIES, INC. ANY REPRODUCTION IN PART OR WHOLE WITHOUT THE WRITTEN PERMISSION OF ELECTRO MECHANICAL IND., IS PROHIBITED.

D
C
B
A



ITEM NO.	QTY REQD	PART NUMBER	DESCRIPTION	LENGTH	WEIGHT
1	1	W-000-176	WIND GENERATOR MOUNT WELDMENT		18.3
2	2	MCM 8862T28	U-BOLT, 3/8"-16 THREAD SIZE, 1-1/2" PIPE, 4" HEIGHT GALV. W/ HEX NUTS INCLUDED		0.03
3	4	COMMON	WASHER, FLAT, .375, GALV		0.01

SURFACE FINISH	UNLESS OTHERWISE SPECIFIED	UNLESS OTHERWISE SPECIFIED	APPROVALS	DATE	 ELECTRO MECHANICAL INDUSTRIES, INC. 11230 NEESHAW DRIVE HOUSTON, TEXAS 77065 1-800-453-0050
MATERIAL	SEE PARTS LIST	TOLERANCES	DRAWN		
THIRD ANGLE PROJECTION		.0 ± .06 .00 ± .01 .000 ± .005	A. DALE	01.15.16	
NEXT ASSY	USED ON	FRACTIONS ± 1/16 ANGLES ± .25° HOLES: DRILLED OR PUNCHED +1/32 BURNED +1/32	CHECKED	1/16/16	
APPLICATIONS			ENGINEER/DESIGNER	1/20/16	TITLE: WIND GEN MOUNT KIT
			PRODUCTION	1/20/16	SIZE DRAWING NO. B 1015-0000-0012
					SCALE: 1:12 WEIGHT: 18.5 lbs. SHEET 1 OF 1

8 7 6 5 4 3 2 1