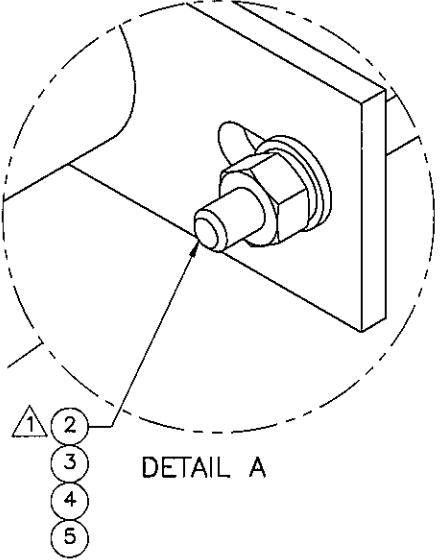
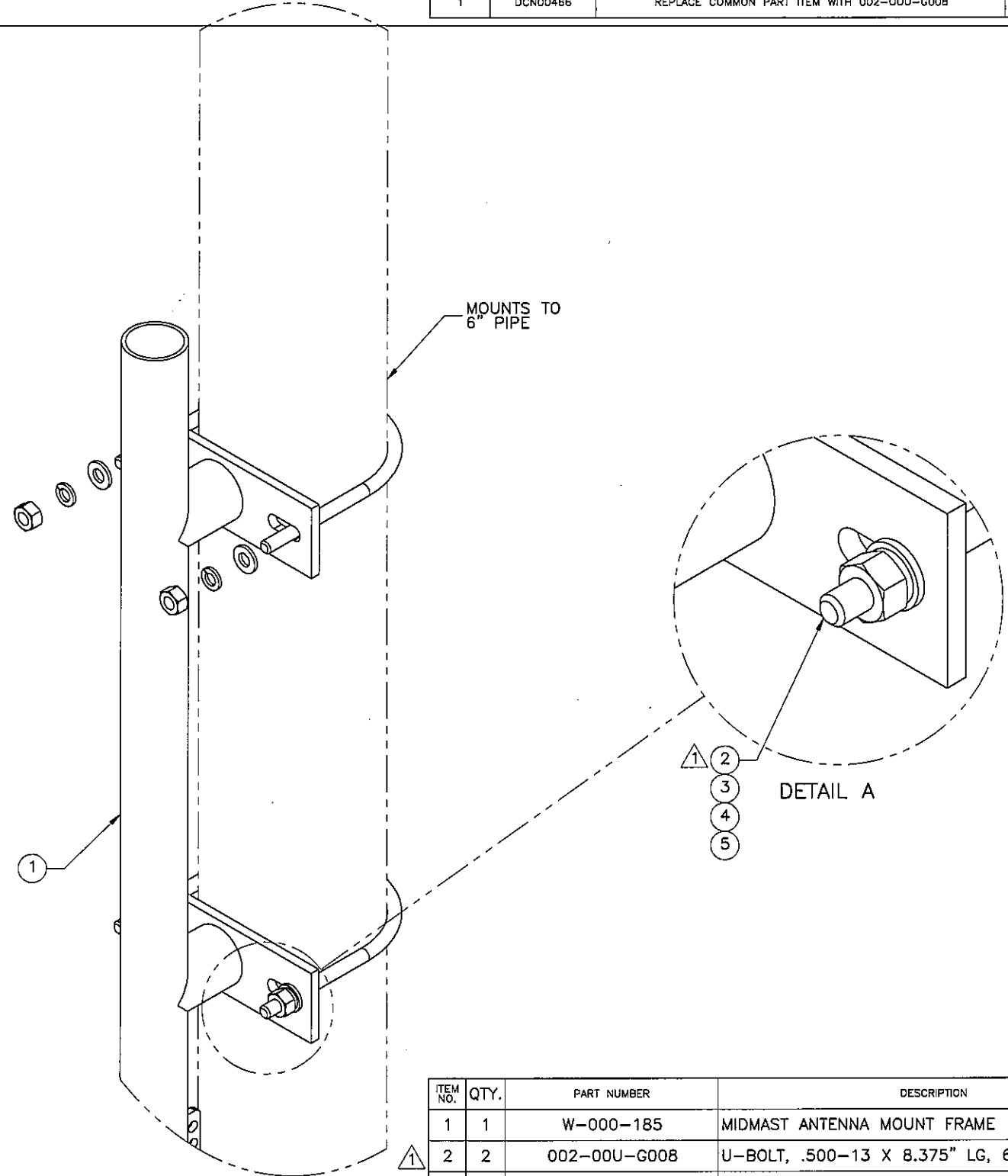
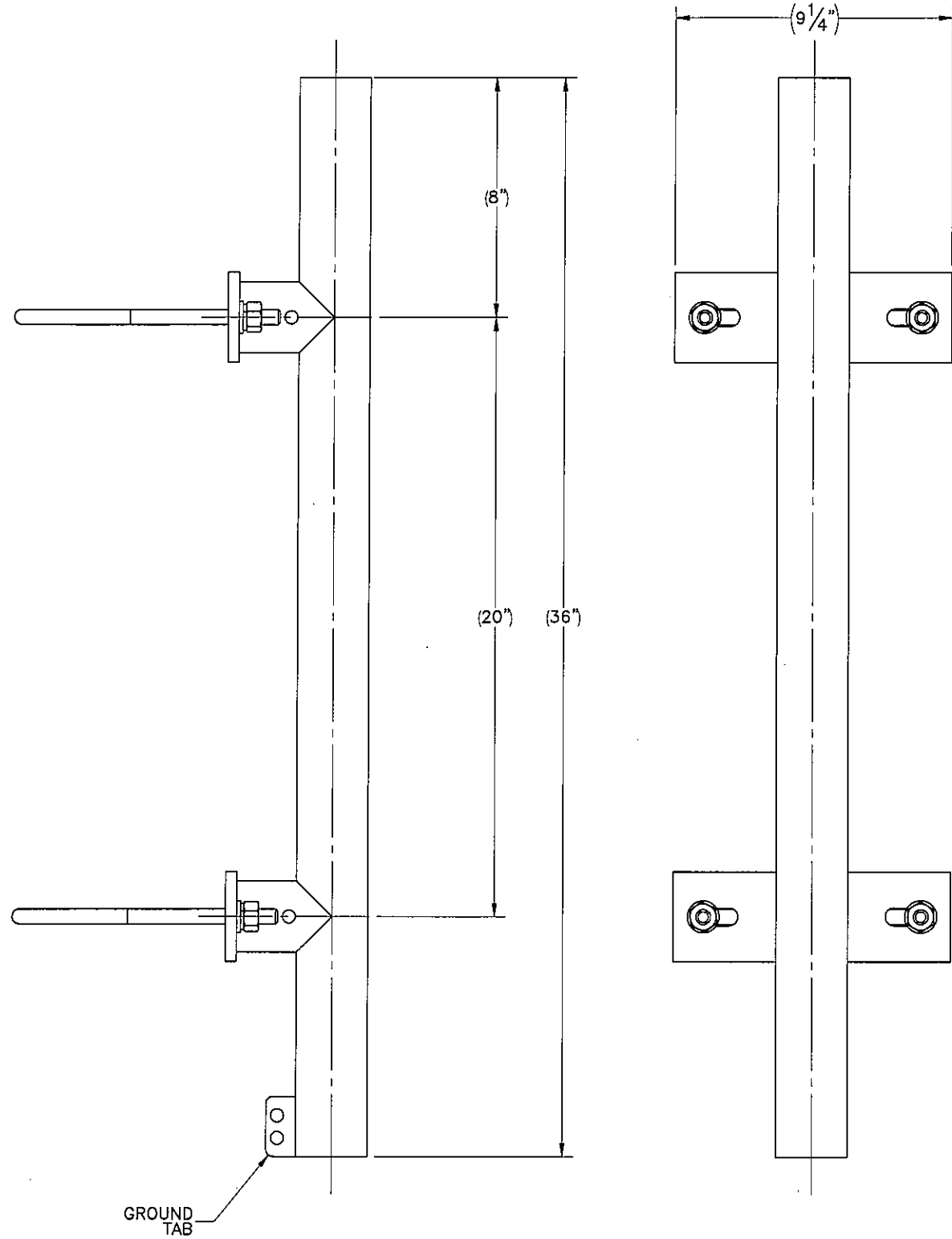


THE INFORMATION CONTAINED IN THIS DRAWING IS THE SOLE PROPERTY OF ELECTRO MECHANICAL INDUSTRIES, INC. ANY REPRODUCTION IN PART OR WHOLE WITHOUT THE WRITTEN PERMISSION OF ELECTRO MECHANICAL IND., IS PROHIBITED.


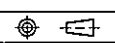
REVISIONS					
REV.	DCN #	DESCRIPTION	DATE	BY	APPROVED
1	DCN00466	REPLACE COMMON PART ITEM WITH 002-00U-G00B	06-07-18	JCB	<i>[Signature]</i>

D
C
B
A

D
C
B
A



ITEM NO.	QTY.	PART NUMBER	DESCRIPTION	LENGTH	WEIGHT
1	1	W-000-185	MIDMAST ANTENNA MOUNT FRAME		18.05
2	2	002-00U-G00B	U-BOLT, .500-13 X 8.375" LG, 6.75" WD, GALV		1.19
3	4	002-ONG-0001	NUT, HEX, .500-13UNC, GR DH, GALV		0.06
4	4	002-OLW-G002	WASHER, SPLIT LOCK, .500", GALV		0.01
5	4	002-OFW-G002	WASHER, FLAT, .500", F436, GALV		0.02

SURFACE FINISH <input checked="" type="checkbox"/> UNLESS OTHERWISE SPECIFIED		UNLESS OTHERWISE SPECIFIED DIMENSIONS ARE IN INCHES		APPROVALS		DATE		 ELECTRO MECHANICAL INDUSTRIES, INC. 11230 NEESHAW DRIVE HOUSTON, TEXAS 77065 1-800-453-0050	
MATERIAL SEE PARTS LIST		TOLERANCES		DRAWN J. CRITELLI		6.4.18			
THIRD ANGLE PROJECTION 		.0 ± .08		CHECKED				SIZE: B	
NEXT ASSY USED ON		.000 ± .005		ENGINEER/DESIGNER				DRAWING NO. 1015-0000-0016	
APPLICATIONS		FRACTIONS ± 1/16		PRODUCTION				REV 1	
		ANGLES ± .25°						SCALE: 1:5	
		HOLES: DRILLED OR PUNCHED +1/32						WEIGHT: 116.31 lbs.	
		BURNED ±1/32						SHEET 1 OF 1	

8 7 6 5 4 3 2 1