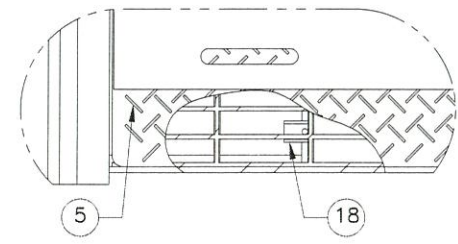
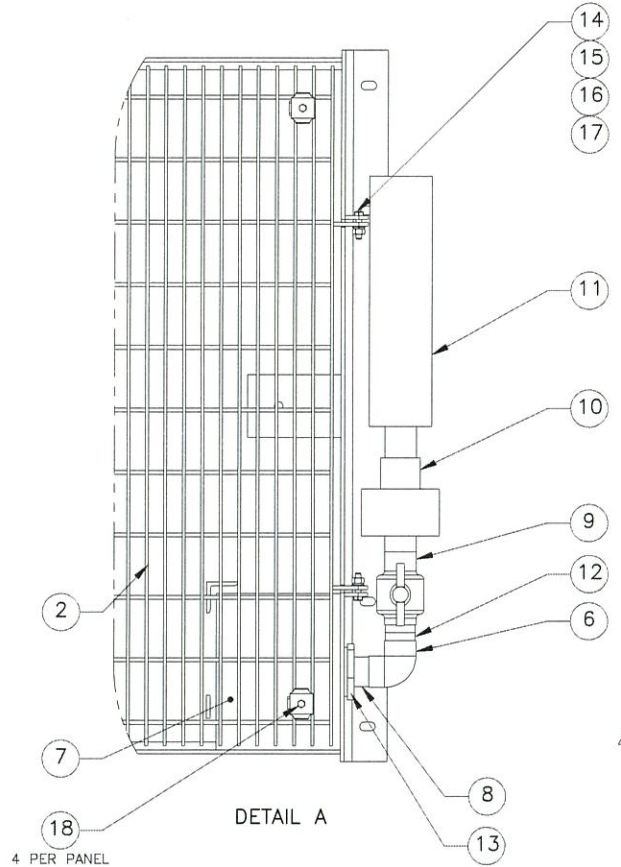
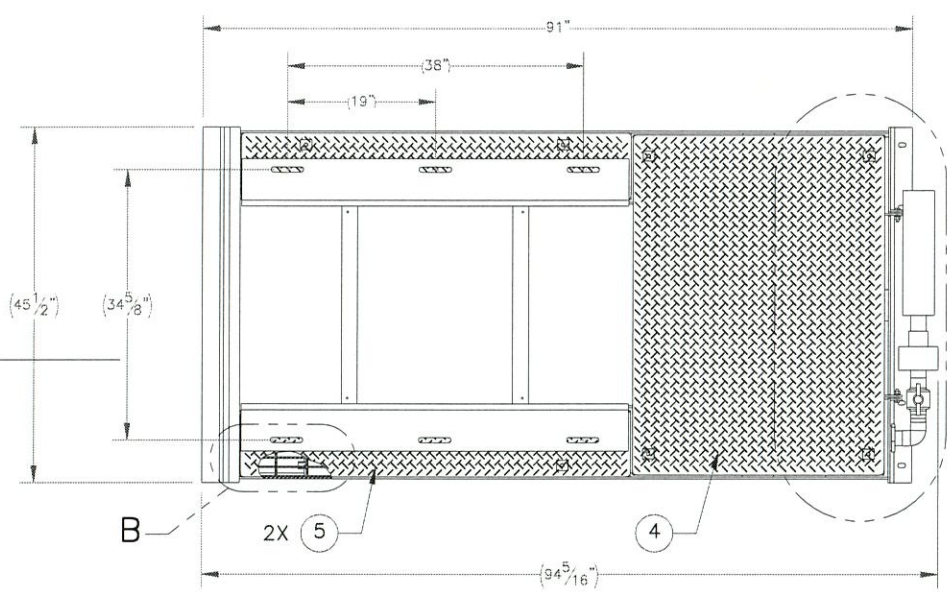


THE INFORMATION CONTAINED IN THIS DRAWING IS THE SOLE PROPERTY OF ELECTRO MECHANICAL INDUSTRIES, INC. ANY REPRODUCTION IN PART OR WHOLE WITHOUT THE WRITTEN PERMISSION OF ELECTRO MECHANICAL IND., IS PROHIBITED.

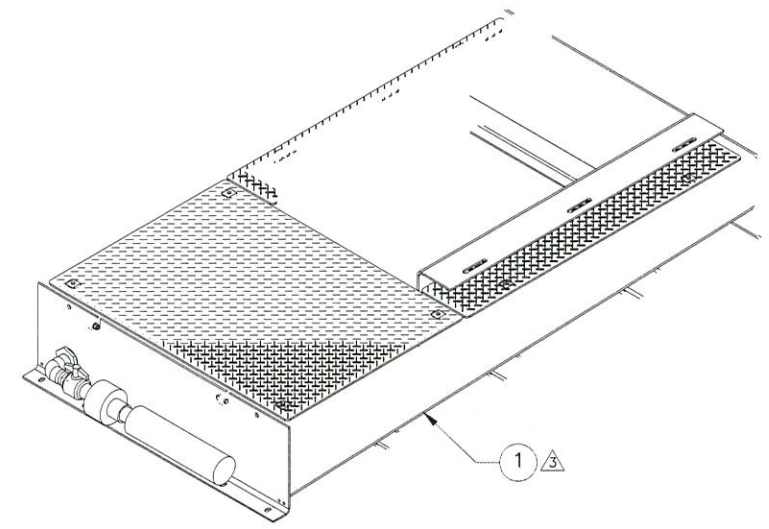
REVISIONS					
REV.	DCN #	DESCRIPTION	DATE	BY	APPROVED
3	DCN00766	VISUALLY UPDATED W-000-423	12.12.2019	BLH	<i>JPB</i>



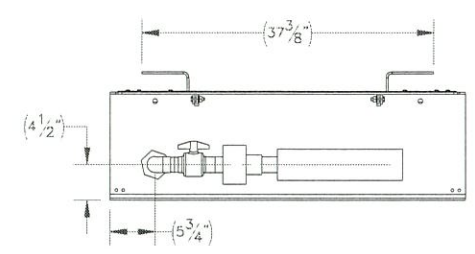
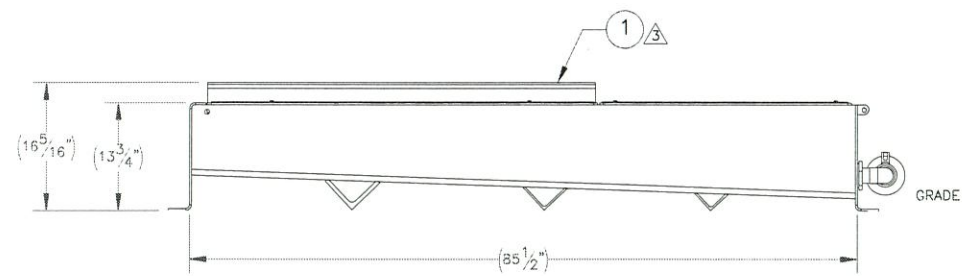
DETAIL B  
2' PLCS






DETAIL A



ITEM NO.	QTY REQD	PART NUMBER	DESCRIPTION	LENGTH	WEIGHT
1	1	W-000-423	139 GALLON GENERATOR PAN COMPLETE WELDMENT		778.46
2	1	W-000-822	GEN PAN GRATE COVER WELDMENT		68.5
3	2	P-002-004	GEN PAN GRATE COVER		22.39
4	1	P-002-005	GEN PAN CAP		36.0
5	2	P-002-006	GEN PAN CAP		10.8
6	1	175-00E-9001	1.5" PVC 90 DEG ELBOW		0.01
7	1	175-0FB-0001	PFB-810 PRE-FILTER BASKET ALUMINUM		5.2
8	1	175-00N-0006	1.5" DIA DARK GRAY PVC PIPE NIPPLE	3"	0.11
9	1	175-0BV-0003	1.5" PVC BALL VALVE	4 11/16"	0.01
10	1	175-00F-0002	SPI, PRE-FILTER		0.07
11	1	175-00F-0001	OIL SPILL FILTER, 1.5" MALE THREADED FITTING	16"	0.21
12	1	175-00N-0007	1.5" PVC THREADED BOTH END NIPPLE	2"	0.07
13	1	175-TWF-0001	PVC, NPT FEMALE ON BOTH ENDS, 1.50" PIPE SIZE, 3" LONG		0.47
14	2	002-0BG-0008	BOLT, HEX HD, .375-16UNC X 1.5 LG, GR 5, GALV		0.06
15	2	002-0FW-G005	WASHER, FLAT, .375, GALV		0.01
16	2	002-0LW-G005	WASHER, SPLIT LOCK, .375 INCH, GALV		0.01
17	2	002-0NG-0003	NUT, HEX, .375-16UNC, GR 2H, GALV		0.03
18	12	000-MSG-0008	GRATING CLIP, 1", GALV.		0.20



SURFACE FINISH <input checked="" type="checkbox"/> UNLESS OTHERWISE SPECIFIED		UNLESS OTHERWISE SPECIFIED DIMENSIONS ARE IN INCHES		APPROVALS		DATE		 ELECTRO MECHANICAL INDUSTRIES, INC. 11230 NEESEHAW DRIVE HOUSTON, TEXAS 77065 1-800-453-0050	
MATERIAL SEE PARTS LIST		TOLERANCES		DRAWN RLW Jr		02.02.2018			
THIRD ANGLE PROJECTION 		.0 ±.06 .00 ±.01 .000 ±.005		CHECKED J. BUSHMAN		03.08.2018			
NEXT ASSY USED ON		FRACTIONS ± 1/16 ANGLES ± .25° HOLES: DRILLED OR PUNCHED +1/32 BURNED ±1/32		ENGINEER/DESIGNER J. BUSHMAN		03.08.2018			
APPLICATIONS				PRODUCTION J. SUNDERLAND		03.09.2018			
				 TITLE: <b>139 GALLON GENERATOR GENERAL ARRANGEMENT</b>		SIZE B DRAWING NO. <b>1015-0000-0027</b>			
				SCALE: 1:24		WEIGHT: 958.09 lbs.		REV 3	
								SHEET 1 OF 2	

8 7 6 5 4 3 2 1

D

D

C

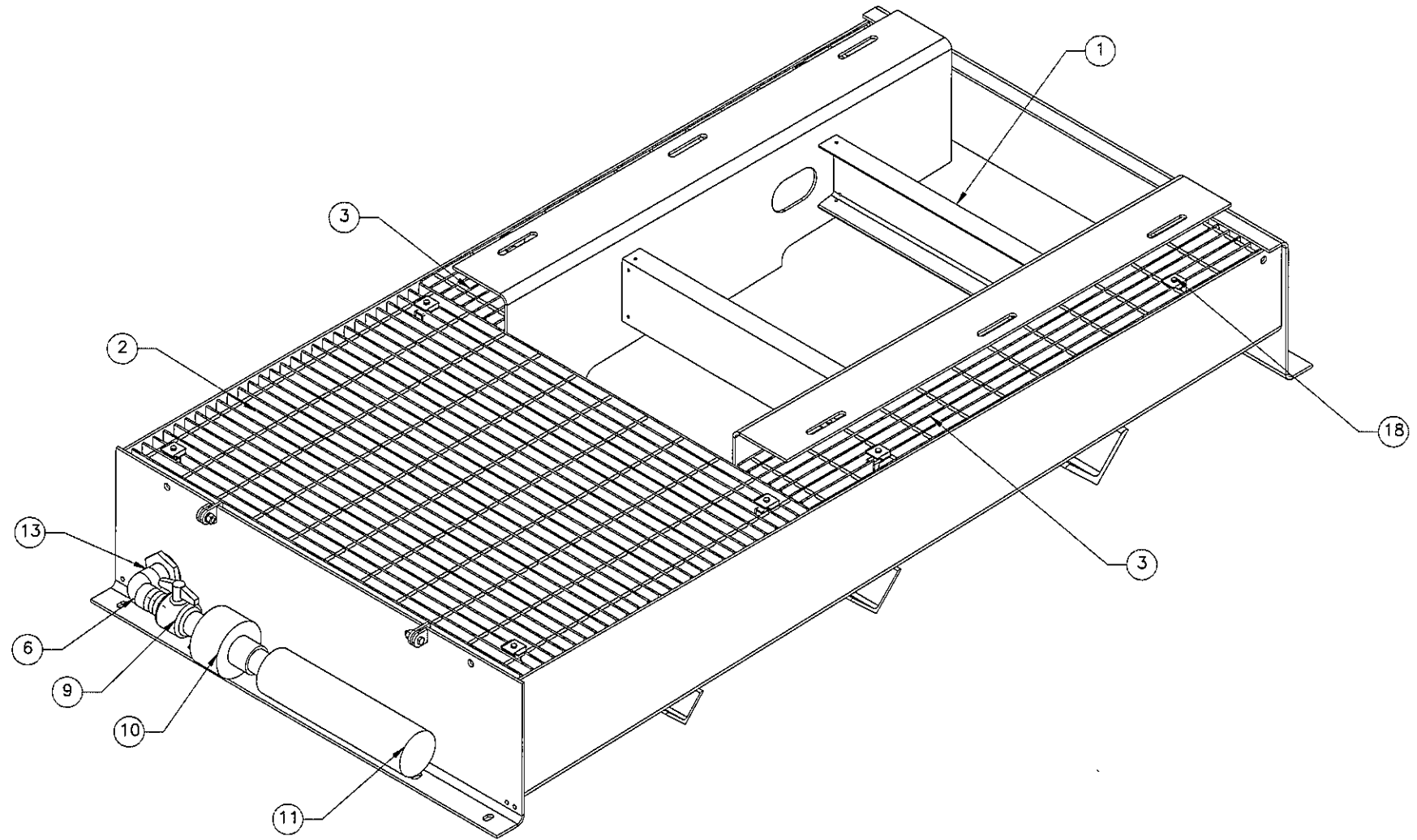
C

B


B

A

A



8 7 6 5 4 3 2 1

		ELECTRO MECHANICAL INDUSTRIES, INC. 11230 NEESHAW DRIVE HOUSTON, TEXAS 77065 1-800-453-0050	
SIZE	DRAWING NO.	REV	
B	1015-0000-0027	3	
SCALE: 1:12		SHEET 2 OF 2	