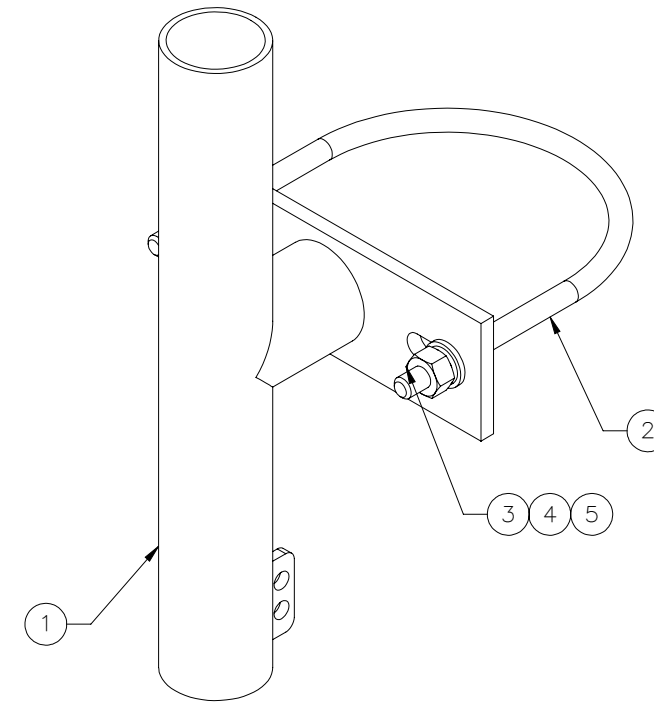
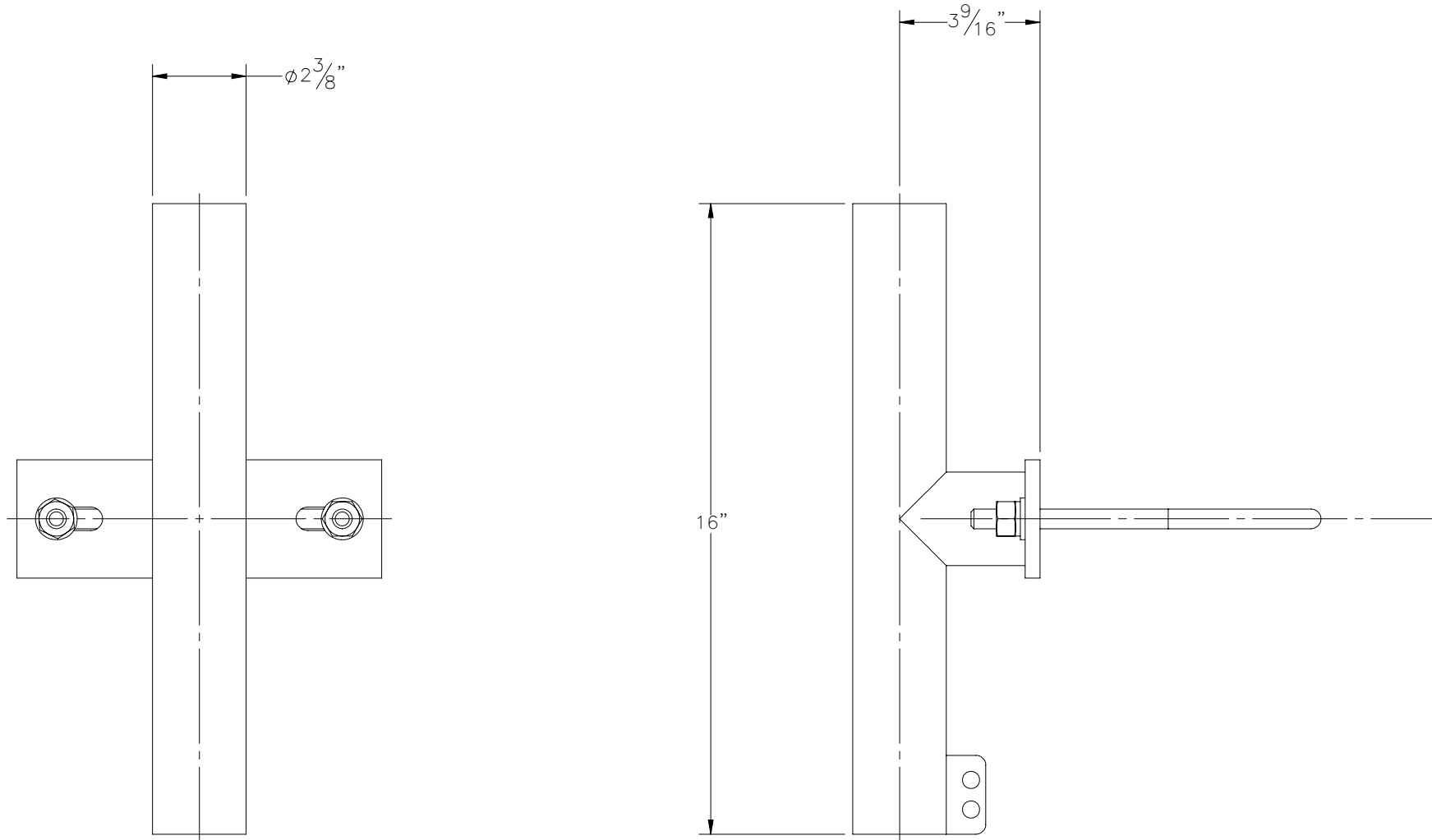

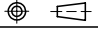


THE INFORMATION CONTAINED IN THIS DRAWING IS THE SOLE PROPERTY OF ELECTRO MECHANICAL INDUSTRIES, INC. ANY REPRODUCTION IN PART OR WHOLE WITHOUT THE WRITTEN PERMISSION OF ELECTRO MECHANICAL IND., IS PROHIBITED.



ITEM NO.	QTY REQD	PART NUMBER	DESCRIPTION	LENGTH	WEIGHT
1	1	W-002-404	MIDMAST ANTENNA MOUNT FRAME		8.46
2	1	002-00U-G008	U-BOLT, .500-13 X 8.375" LG, 6.75" WD, GALV		1.19
3	2	002-0NG-0010	NUT, HEX, .500-13UNC, GR 2H, GALV		0.06
4	2	002-0LW-G002	WASHER, SPLIT LOCK, .500", GALV		0.01
5	2	002-0FW-G002	FW, .50, F436, HDG		0.02

SURFACE FINISH <input checked="" type="checkbox"/> UNLESS OTHERWISE SPECIFIED		UNLESS OTHERWISE SPECIFIED DIMENSIONS ARE IN INCHES		APPROVALS		DATE		 ELECTRO MECHANICAL INDUSTRIES, INC. 11230 NEESESHAW DRIVE HOUSTON, TEXAS 77065 1-800-453-0050	
MATERIAL SEE PARTS LIST		TOLERANCES		DRAWN C. SANCHEZ		7/6/2022			
THIRD ANGLE PROJECTION 		.0 ±.06 .00 ±.015 .000 ±.005		CHECKER J. Breen		7/6/2022		TITLE: <b>MID-MAST ANTENNA MOUNT, P6</b>	
		FRACTIONS ± 1/16		ENGINEER J. Breen		7/6/2022			
		ANGLES ± .25°		PRODUCTION J. LEE		7/6/2022			
NEXT ASSY		USED ON		DRILLED OR PUNCHED		+1/32		SIZE <b>B</b> DRAWING NO. 1015-0000-0054 REV 0	
APPLICATIONS		BURNED		±1/32				SCALE: 1:4 WEIGHT: 9.85 lbs. SHEET 1 OF 1	