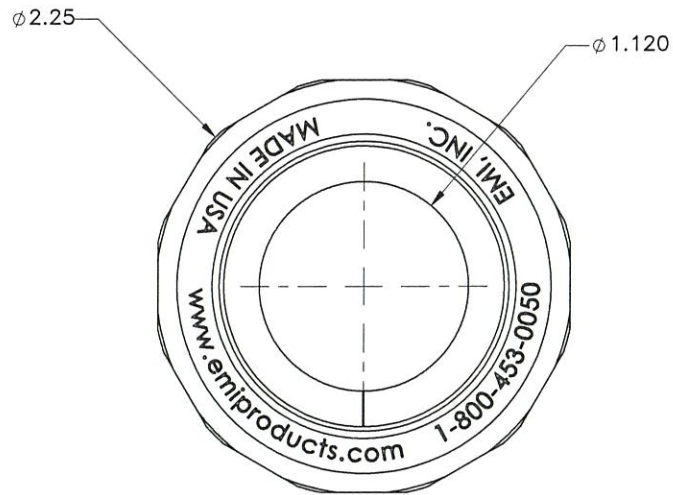
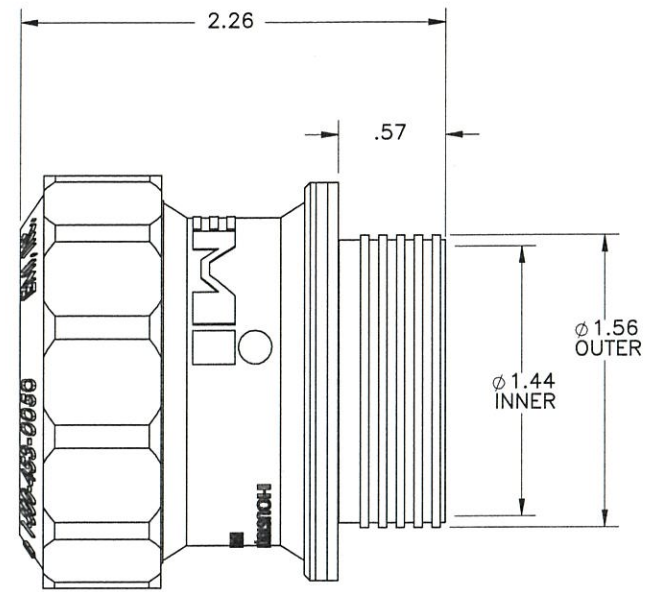


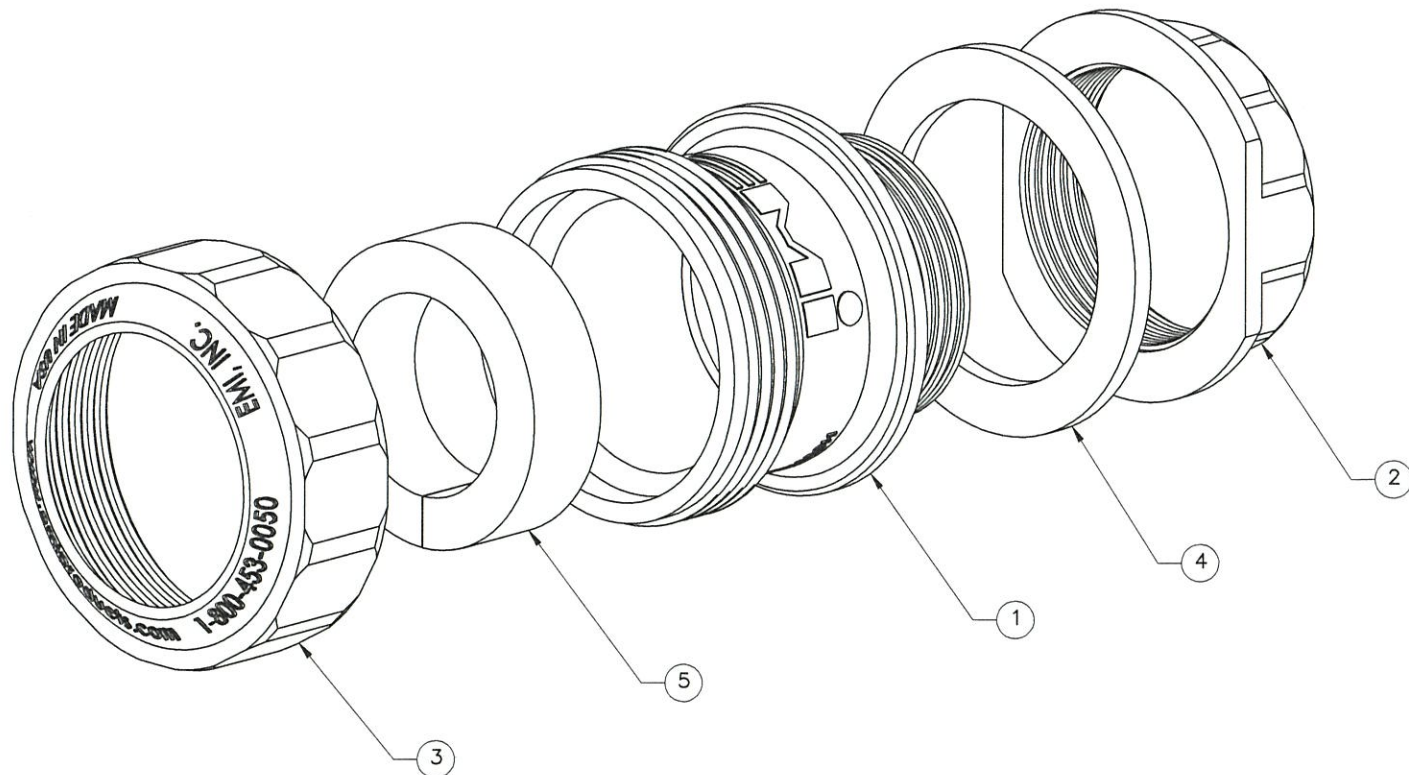
THE INFORMATION CONTAINED IN THIS DRAWING IS THE SOLE PROPERTY OF ELECTRO MECHANICAL INDUSTRIES, INC. ANY REPRODUCTION IN PART OR WHOLE WITHOUT THE WRITTEN PERMISSION OF ELECTRO MECHANICAL IND., IS PROHIBITED.




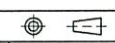
FRONT



SIDE VIEW SHOWN WITHOUT BACKNUT



ITEM NO.	QTY REQD	PART NUMBER	DESCRIPTION	LENGTH	WEIGHT
1	1	310-900-2459	320 SERIES BODY		22.66
2	1	310-900-2460	320 SERIES BACK NUT		0.02
3	1	310-900-2037	320 SERIES CAP		0.02
4	1	310-900-2166	320 SERIES GASKET		0.01
5	1	P-001-856	320 SERIES GROMMET (1.120)		0.03

SURFACE FINISH <input checked="" type="checkbox"/> UNLESS OTHERWISE SPECIFIED		UNLESS OTHERWISE SPECIFIED DIMENSIONS ARE IN INCHES		APPROVALS	DATE	 ELECTRO MECHANICAL INDUSTRIES, INC. 11230 NEESEHAW DRIVE HOUSTON, TEXAS 77065 1-800-453-0050
MATERIAL	SEE PARTS LIST	TOLERANCES		DRAWN	11.21.17	
THIRD ANGLE PROJECTION		.0 ±.06 .000 ±.01 ±.005 FRACTIONS ± 1/16 ANGLES ± .25° HOLES: DRILLED OR PUNCHED +1/32 BURNED ± 1/32		CHECKED	11.22.17	
NEXT ASSY	USED ON	APPLICATIONS		ENGINEER/DESIGNER	11.22.17	REV -