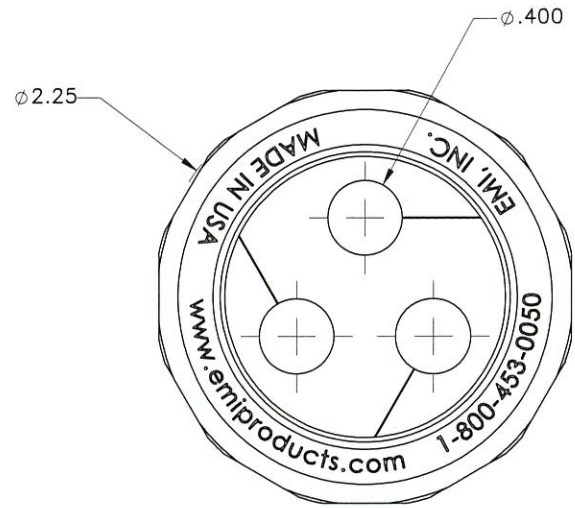
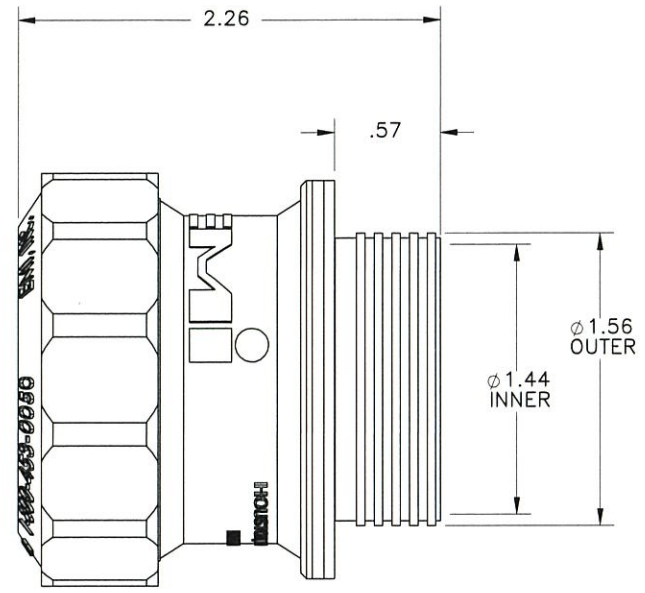


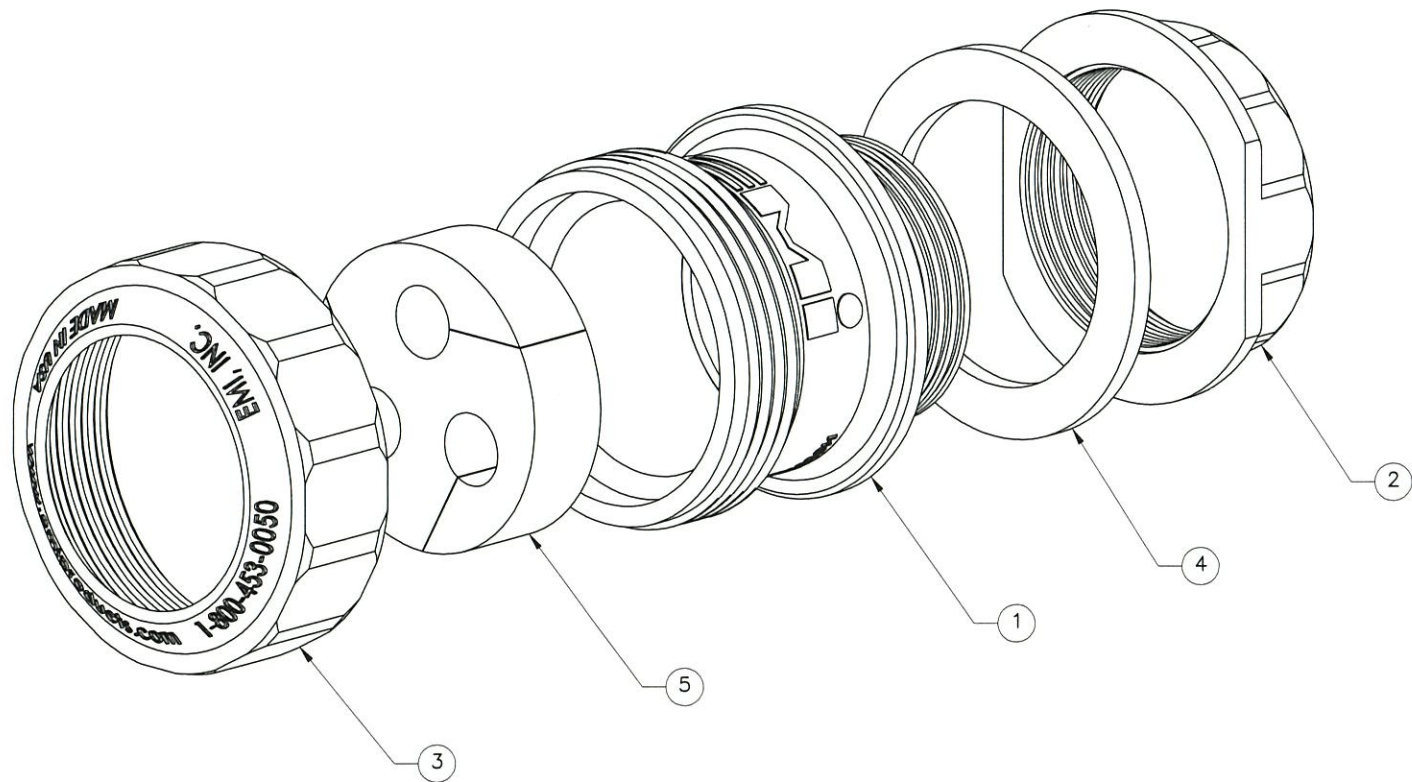
THE INFORMATION CONTAINED IN THIS DRAWING IS THE SOLE PROPERTY OF ELECTRO MECHANICAL INDUSTRIES, INC. ANY REPRODUCTION IN PART OR WHOLE WITHOUT THE WRITTEN PERMISSION OF ELECTRO MECHANICAL IND., IS PROHIBITED.




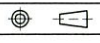
FRONT



SIDE VIEW SHOWN WITHOUT BACKNUT



ITEM NO.	QTY REQD	PART NUMBER	DESCRIPTION	LENGTH	WEIGHT
1	1	310-900-2459	320 SERIES BODY		0.06
2	1	310-900-2460	320 SERIES BACK NUT		0.02
3	1	310-900-2037	320 SERIES CAP		0.02
4	1	310-900-2166	320 SERIES GASKET		0.01
5	1	P-003-315	320 SERIES GROMMET (3) .400 DIA.		0.04

SURFACE FINISH <input checked="" type="checkbox"/> UNLESS OTHERWISE SPECIFIED		UNLESS OTHERWISE SPECIFIED DIMENSIONS ARE IN INCHES		APPROVALS	DATE	 ELECTRO MECHANICAL INDUSTRIES, INC. 11230 NEECHAW DRIVE HOUSTON, TEXAS 77065 1-800-453-0050
MATERIAL	SEE PARTS LIST	TOLERANCES		DRAWN	7.23.19	
THIRD ANGLE PROJECTION		.0 ±.06 .00 ±.015 .000 ±.005		CHECKED	7/23/19	TITLE: 320 SERIES PORTAL ENTRY, (3) HOLE .400 DIA. GROMMET SIZE B DRAWING NO. 1017-0060-0006 SCALE: 1:1 WEIGHT: 0.163 lbs. SHEET 1 OF 1
NEXT ASSY	USED ON	FRACTIONS ± 1/16 ANGLES ± .25°		ENGINEER/DISIGNER	7/23/19	
APPLICATIONS		HOLES: DRILLED OR PUNCHED +1/32 BURNED ±1/32		PRODUCTION	7-24-19	