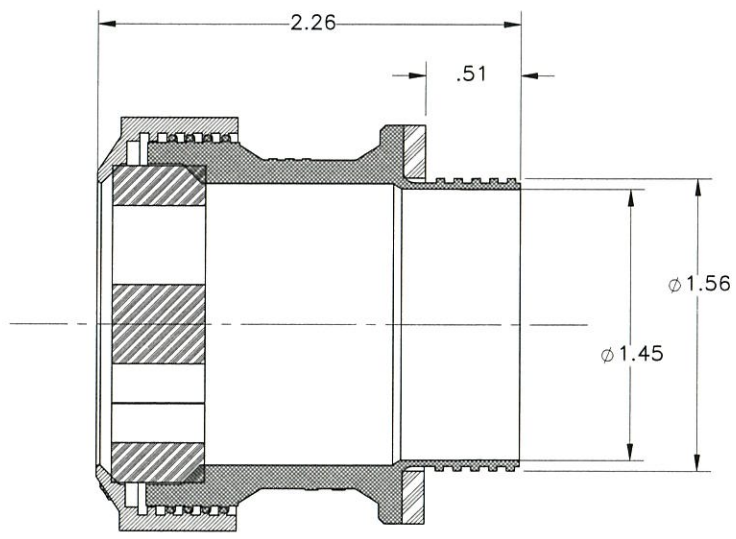
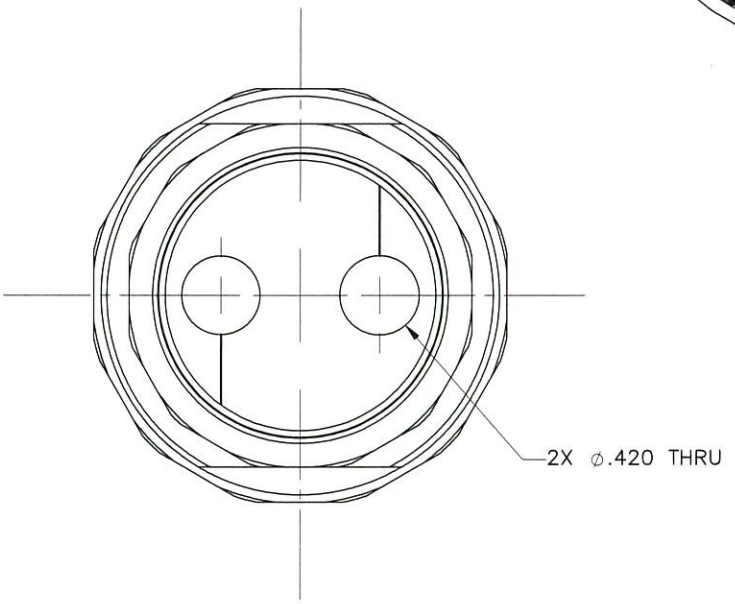
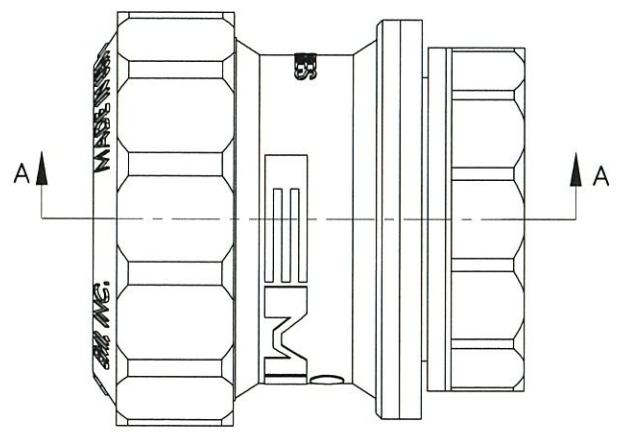
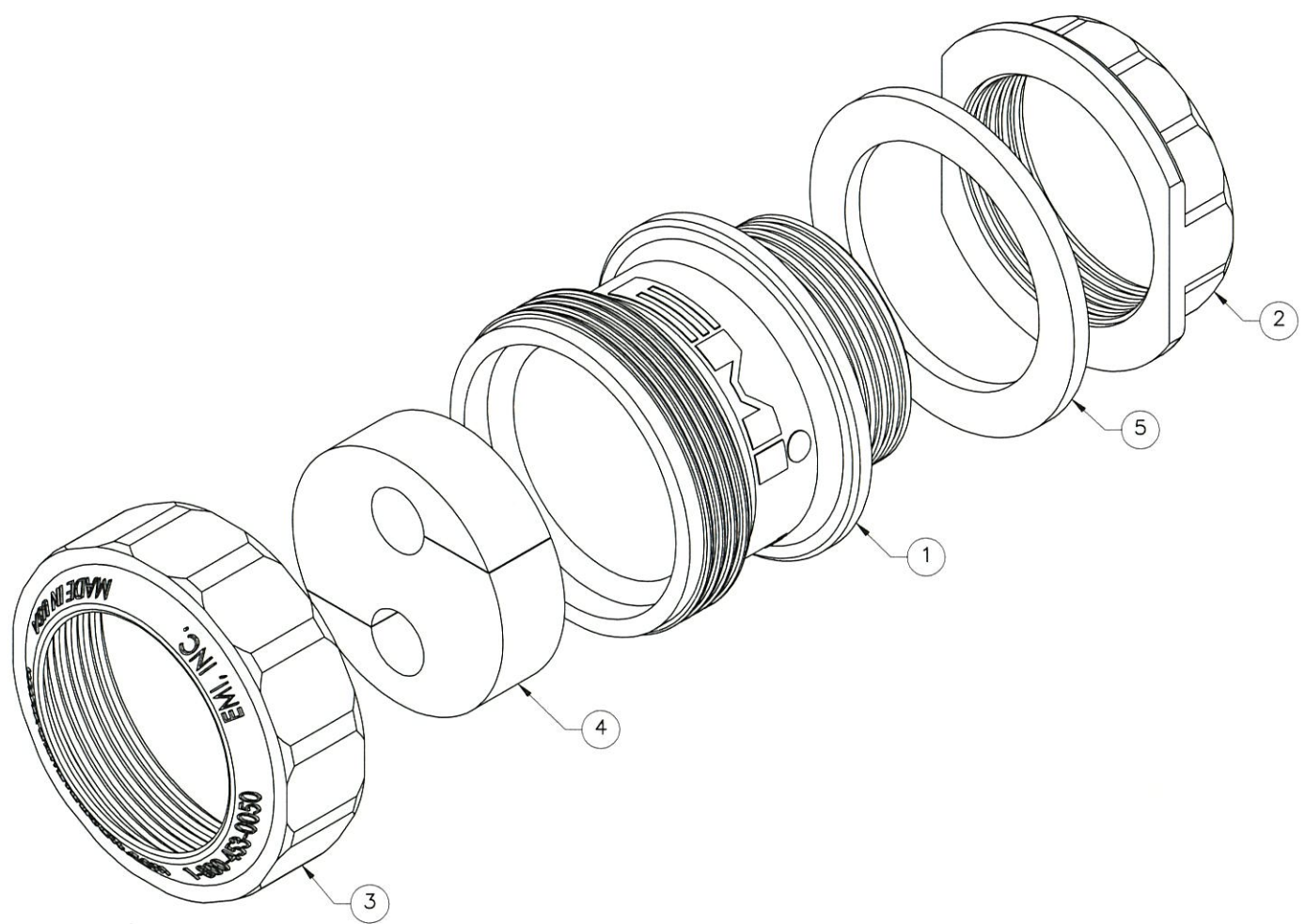



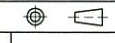
THE INFORMATION CONTAINED IN THIS DRAWING IS THE SOLE PROPERTY OF ELECTRO MECHANICAL INDUSTRIES, INC. ANY REPRODUCTION IN PART OR WHOLE WITHOUT THE WRITTEN PERMISSION OF ELECTRO MECHANICAL IND., IS PROHIBITED.



SECTION A-A
BACKNUT REMOVED



ITEM NO.	QTY REQD	PART NUMBER	DESCRIPTION	LENGTH	WEIGHT
1	1	310-900-2459	320 SERIES BODY		0.06
2	1	310-900-2460	320 SERIES BACK NUT		0.02
3	1	310-900-2037	320 SERIES CAP		0.02
4	1	P-003-475	320 SERIES GROMMET (2) .420 DIA.		0.05
5	1	310-900-2166	320 SERIES GASKET		0.01

SURFACE FINISH <input checked="" type="checkbox"/> UNLESS OTHERWISE SPECIFIED		UNLESS OTHERWISE SPECIFIED DIMENSIONS ARE IN INCHES		APPROVALS	DATE	 ELECTRO MECHANICAL INDUSTRIES, INC. 11230 NEECHAW DRIVE HOUSTON, TEXAS 77065 1-800-453-0050
MATERIAL	SEE PARTS LIST	TOLERANCES		DRAWN	8.19.19	
THIRD ANGLE PROJECTION		.0 ± .06 .00 ± .015 .000 ± .005		CHECKED	8/19/19	TITLE: 320 SERIES PORTAL ENTRY, (2) HOLE .420 DIA. GROMMET SIZE B DRAWING NO. 1017-0060-0007 SCALE: 1:1 WEIGHT: 0.165 lbs. SHEET 1 OF 1
NEXT ASSY	USED ON	FRACTIONS ± 1/16 ANGLES ± .25° HOLES: DRILLED OR PUNCHED +1/32 BURNED ± 1/32		ENGINEER/DESIGNER	8/19/19	
APPLICATIONS				PRODUCTION	8/19/19	