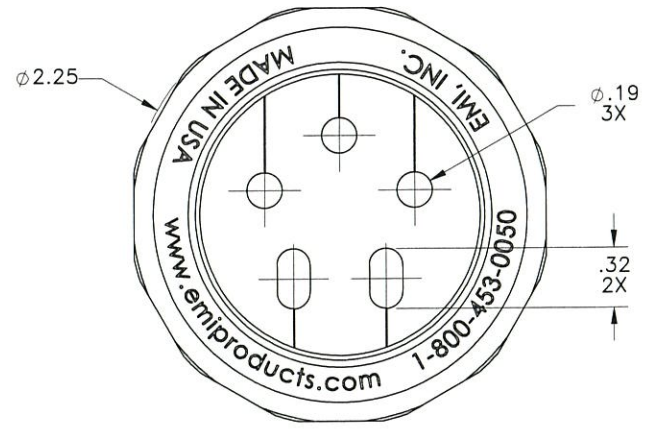
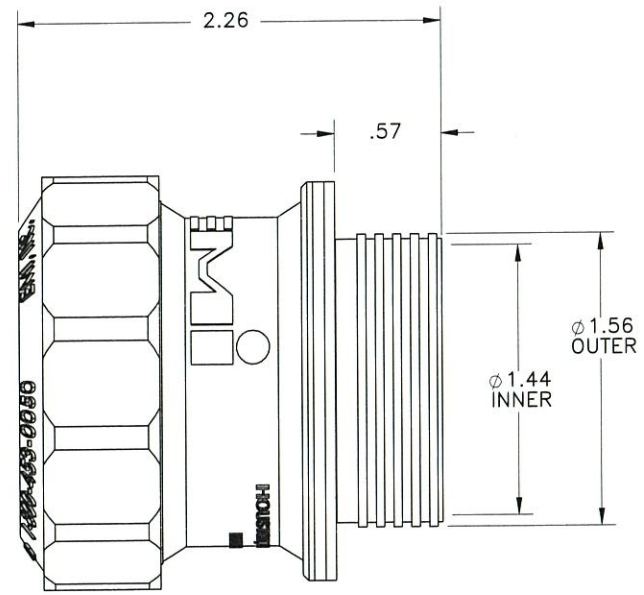


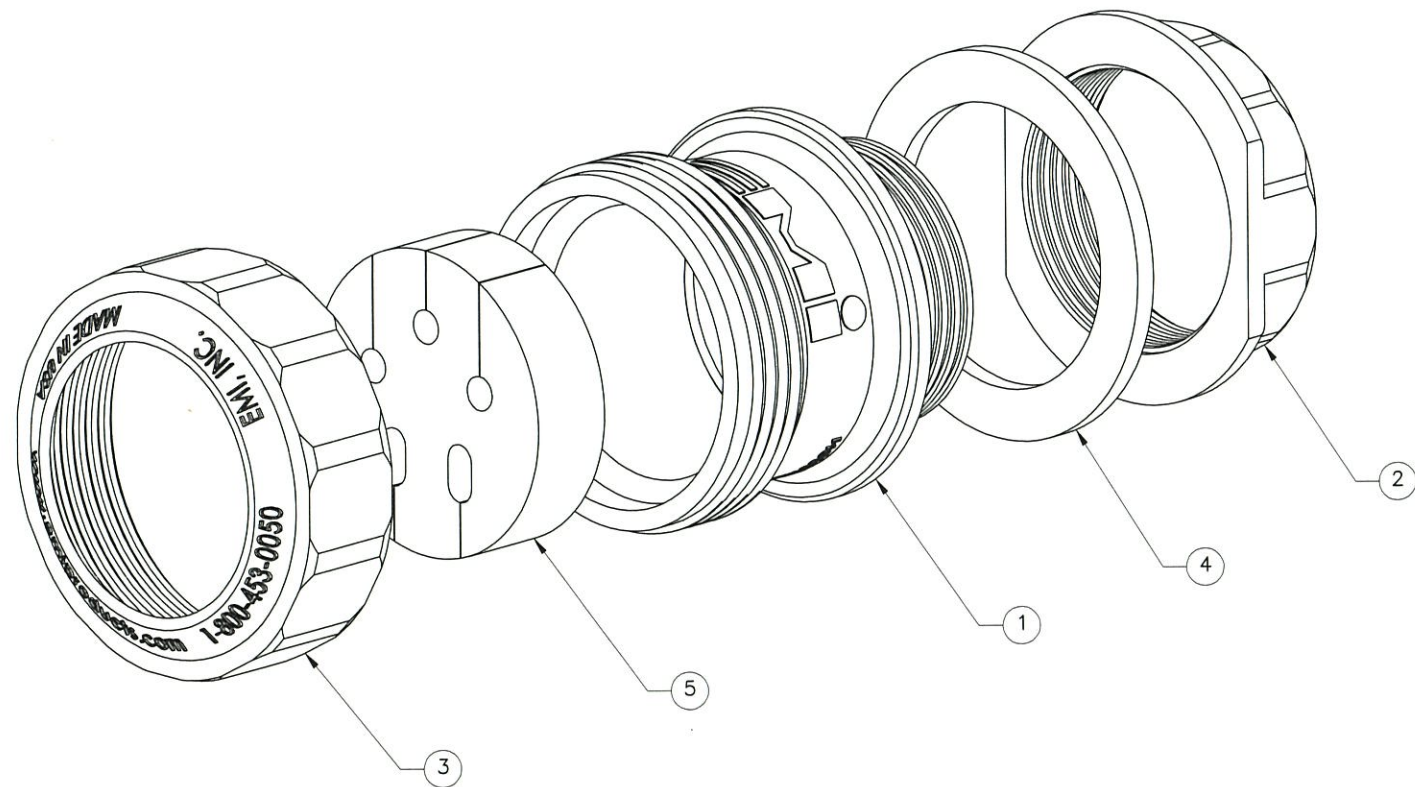
THE INFORMATION CONTAINED IN THIS DRAWING IS THE SOLE PROPERTY OF ELECTRO MECHANICAL INDUSTRIES, INC. ANY REPRODUCTION IN PART OR WHOLE WITHOUT THE WRITTEN PERMISSION OF ELECTRO MECHANICAL IND., IS PROHIBITED.




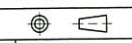
FRONT



SIDE VIEW SHOWN WITHOUT BACKNUT



ITEM NO.	QTY REQD	PART NUMBER	DESCRIPTION	LENGTH	WEIGHT
1	1	310-900-2459	320 SERIES BODY		0.06
2	1	310-900-2460	320 SERIES BACK NUT		0.02
3	1	310-900-2037	320 SERIES CAP		0.02
4	1	310-900-2166	320 SERIES GASKET		0.01
5	1	P-003-499	320 SERIES GROMMET (5) HOLE		0.05

SURFACE FINISH <input checked="" type="checkbox"/> UNLESS OTHERWISE SPECIFIED		UNLESS OTHERWISE SPECIFIED DIMENSIONS ARE IN INCHES		APPROVALS		DATE	 ELECTRO MECHANICAL INDUSTRIES, INC. 11230 NEESEHAW DRIVE HOUSTON, TEXAS 77065 1-800-453-0050	
MATERIAL SEE PARTS LIST		TOLERANCES		DRAWN C. SANCHEZ		8.21.19	TITLE: 320 SERIES PORTAL ENTRY, (5) HOLE GROMMET	
THIRD ANGLE PROJECTION 		.000 ±.005		CHECKED <i>[Signature]</i>		8/22/19	SIZE B	
NEXT ASSY USED ON		FRACTIONS ± 1/16		ENGINEER/DESIGNER <i>[Signature]</i>		8/22/19	DRAWING NO. 1017-0060-0009	
APPLICATIONS		HOLES: DRILLED OR PUNCHED ± 1/32		PRODUCTION <i>[Signature]</i>		8.23.19	REV -	
		BURNED ± 1/32		SCALE: 1:1		WEIGHT: 0.167 lbs.		SHEET 1 OF 1