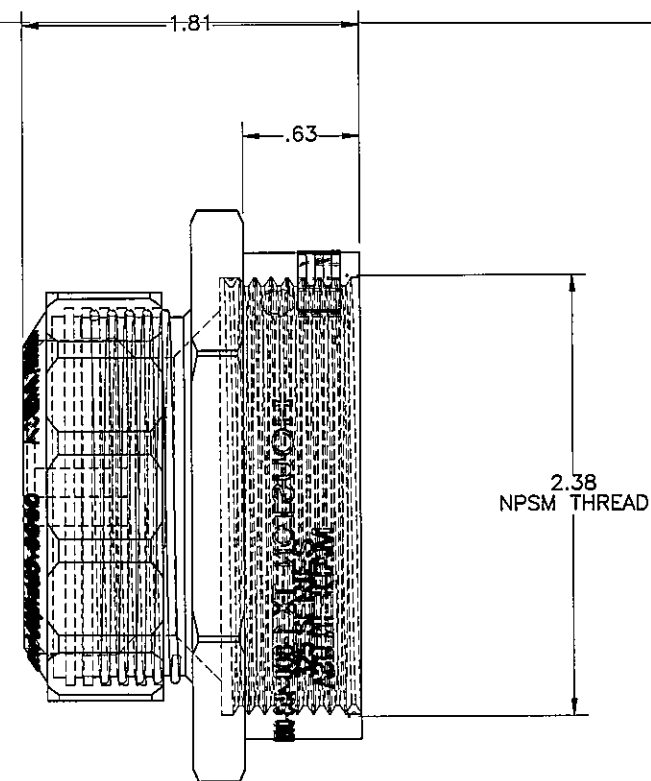
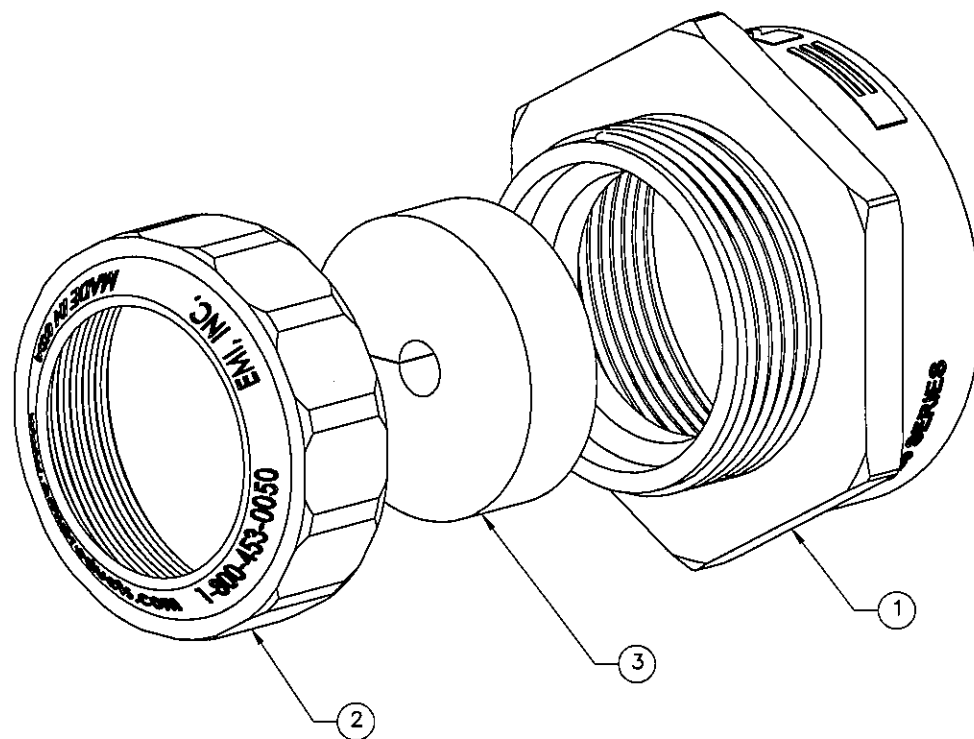
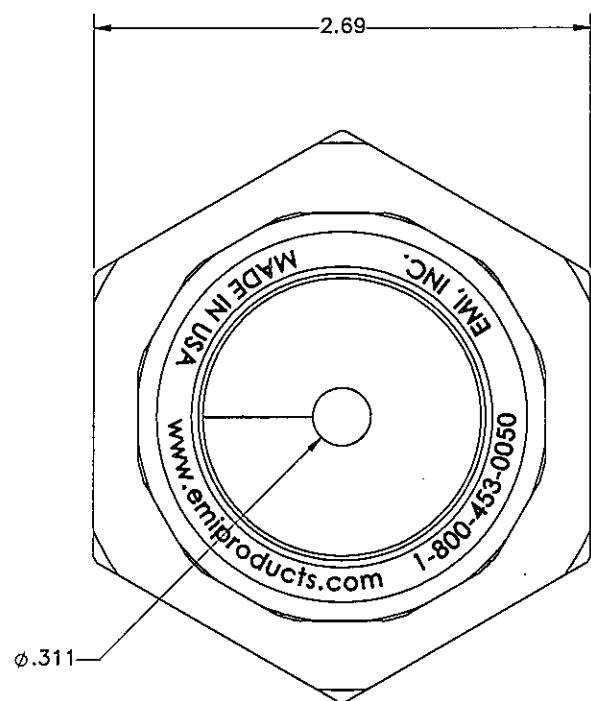

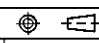


THE INFORMATION CONTAINED IN THIS DRAWING IS THE SOLE PROPERTY OF ELECTRO MECHANICAL INDUSTRIES, INC. ANY REPRODUCTION IN PART OR WHOLE WITHOUT THE WRITTEN PERMISSION OF ELECTRO MECHANICAL IND., IS PROHIBITED



ITEM NO.	QTY REQD	PART NUMBER	DESCRIPTION	LENGTH	WEIGHT
1	1	310-900-2745	325 SERIES BODY		0.10
2	1	310-900-2037	320 SERIES CAP		0.02
3	1	P-000-698	320 SERIES GROMMET (.311)		0.05

SURFACE FINISH <input checked="" type="checkbox"/> UNLESS OTHERWISE SPECIFIED		UNLESS OTHERWISE SPECIFIED DIMENSIONS ARE IN INCHES		APPROVALS	DATE	 ELECTRO MECHANICAL INDUSTRIES, INC. 11230 NEESEHAW DRIVE HOUSTON, TEXAS 77065 1-800-453-0050
MATERIAL SEE PARTS LIST		TOLERANCES		DRAWN	9.12.16	
THIRD ANGLE PROJECTION 		.0 ± .06 .00 ± .01 .000 ± .005		CHECKED	9.12.16	
NEXT ASSY		FRACTIONS ± 1/16 ANGLES ± .25°		ENGINEER/DESIGNER	9.12.16	
USED ON		HOLES: DRILLED OR PUNCHED +1/32 BURNED ±1/32		PRODUCTION	9.13.16	
APPLICATIONS				J. BOWLDS		TITLE: 325 SERIES PORTAL ENTRY
				SIZE B DRAWING NO. 1017-0070-0001 REV - SCALE: 1:1 WEIGHT: 0.174 lbs. SHEET 1 OF 1		

STANDARD PLUG(S) INCLUDED WHEN APPROPRIATE