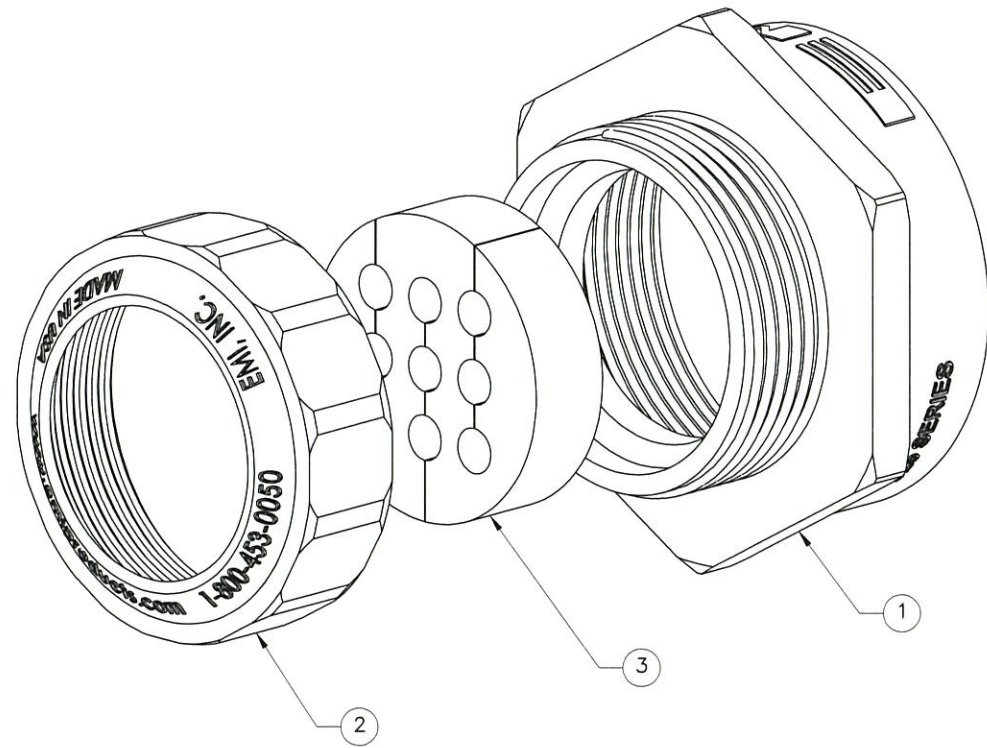
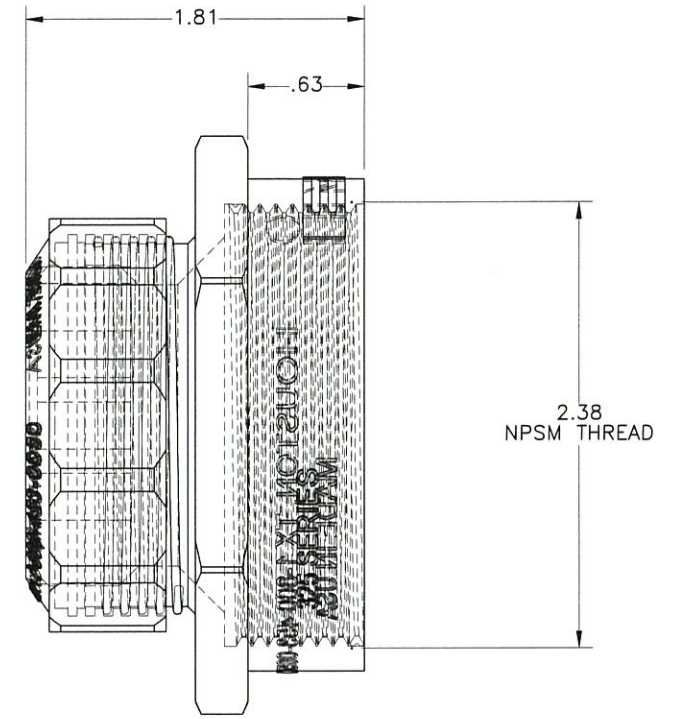
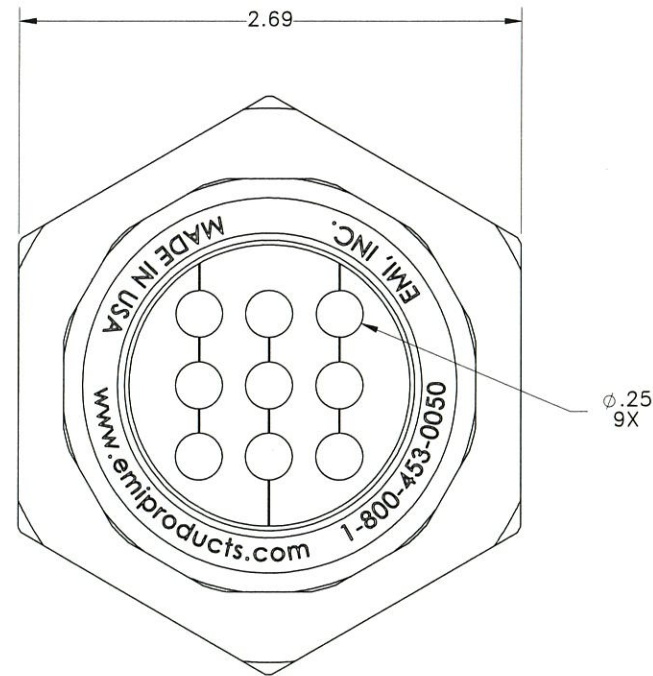


THE INFORMATION CONTAINED IN THIS DRAWING IS THE SOLE PROPERTY OF ELECTRO MECHANICAL INDUSTRIES, INC. ANY REPRODUCTION IN PART OR WHOLE WITHOUT THE WRITTEN PERMISSION OF ELECTRO MECHANICAL IND., IS PROHIBITED.



ITEM NO.	QTY REQD	PART NUMBER	DESCRIPTION	LENGTH	WEIGHT
1	1	310-900-2745	325 SERIES BODY		0.10
2	1	310-900-2037	320 SERIES CAP		0.02
3	1	P-003-630	320 SERIES GROMMET (.25)		0.04

SURFACE FINISH <input checked="" type="checkbox"/> UNLESS OTHERWISE SPECIFIED		UNLESS OTHERWISE SPECIFIED DIMENSIONS ARE IN INCHES		APPROVALS		DATE	
MATERIAL SEE PARTS LIST		TOLERANCES		DRAWN C. SANCHEZ		9.27.19	
THIRD ANGLE PROJECTION		.0 ±.04 .000 ±.015 ±.005		CHECKED <i>[Signature]</i>		9/27/19	
NEXT ASSY USED ON		FRACTIONS ± 1/16		ENGINEER/DESIGNER <i>[Signature]</i>		9/27/19	
APPLICATIONS		HOLES: DRILLED OR PUNCHED +1/32		PRODUCTION <i>[Signature]</i>		9-30-19	
		BURNED ±1/32		TITLE: 325 SERIES PORTAL ENTRY		SIZE: B	
				DRAWING NO. 1017-0070-0003		REV: -	
				SCALE: 1:1		WEIGHT: 0.165 lbs.	
						SHEET 1 OF 1	

**EMI** ELECTRO MECHANICAL INDUSTRIES, INC.  
11230 NEECHAW DRIVE  
HOUSTON, TEXAS 77065  
1-800-453-0050