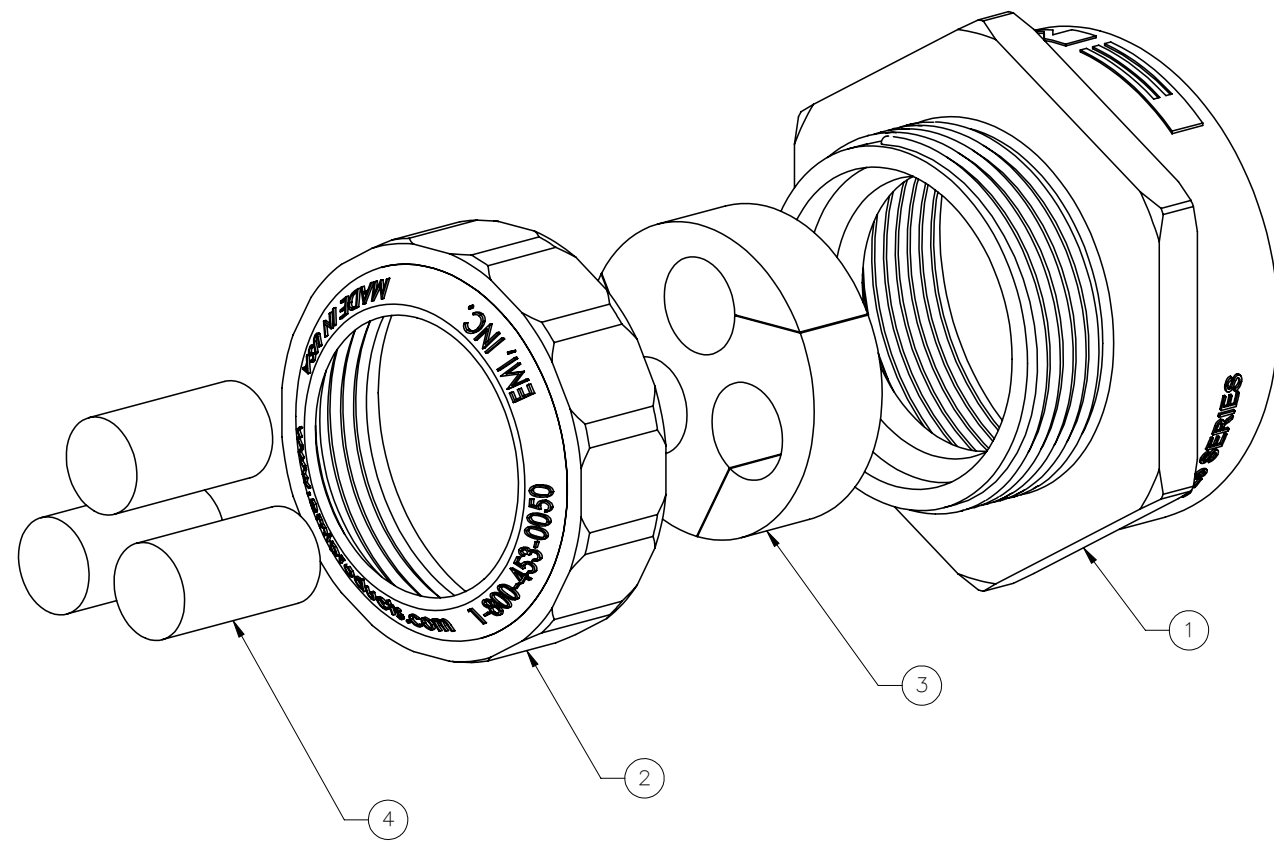
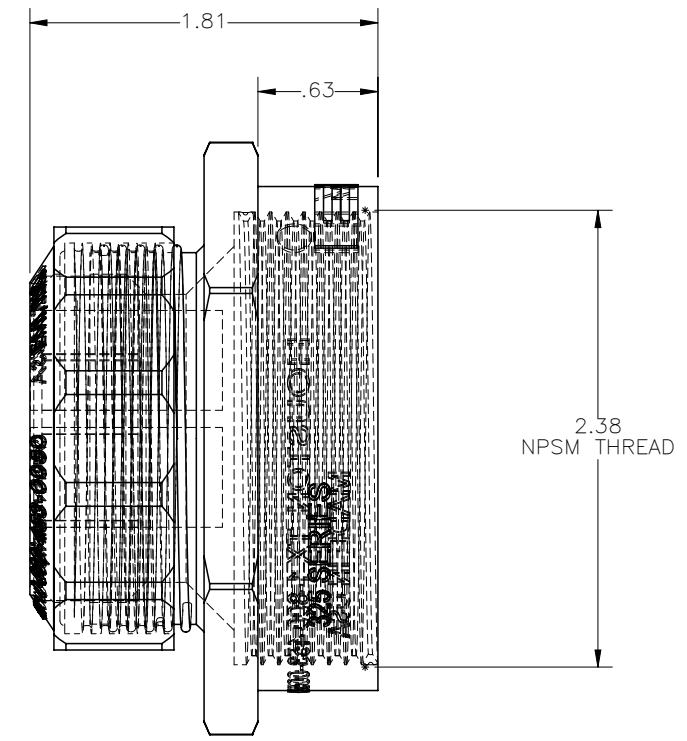
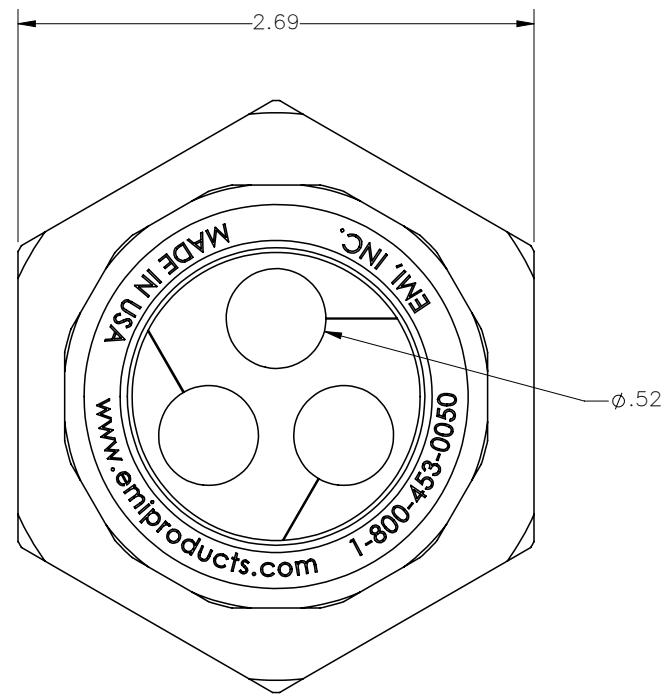


THE INFORMATION CONTAINED IN THIS DRAWING IS THE SOLE PROPERTY OF ELECTRO MECHANICAL INDUSTRIES, INC. ANY REPRODUCTION IN PART OR WHOLE WITHOUT THE WRITTEN PERMISSION OF ELECTRO MECHANICAL IND., IS PROHIBITED.



ITEM NO.	QTY REQD	PART NUMBER	DESCRIPTION	LENGTH	WEIGHT
1	1	310-900-2745	325 SERIES BODY		0.10
2	1	310-900-2037	320 SERIES CAP		0.03
3	1	P-006-094	320 SERIES GROMMET, 3 HOLE, .520		0.04
4	3	P-006-095	GROMMET PLUG, 0.520 DIA. (WJ)		0.01

SURFACE FINISH <input checked="" type="checkbox"/> UNLESS OTHERWISE SPECIFIED		UNLESS OTHERWISE SPECIFIED DIMENSIONS ARE IN INCHES		APPROVALS		DATE		ELECTRO MECHANICAL INDUSTRIES, INC. 11230 NEESESHAW DRIVE HOUSTON, TEXAS 77065 1-800-453-0050	
MATERIAL SEE PARTS LIST		TOLERANCES		DRAWN C. SANCHEZ		7/6/2022			
THIRD ANGLE PROJECTION		.0 ± .06		CHECKER J. Breen		7/6/2022		<b>TITLE:</b> 325 SERIES PORTAL ENTRY, (3) .520 DIA.	
		.000 ± .005		ENGINEER J. Breen		7/6/2022			
NEXT ASSY		HOLES: DRILLED OR PUNCHED		PRODUCTION J. LEE		7/6/2022			
APPLICATIONS		BURNED ± .02						SIZE <b>B</b> DRAWING NO. 1017-0070-0005 REV 0 SCALE: 1:1 WEIGHT: 0.196 lbs. SHEET 1 OF 1	