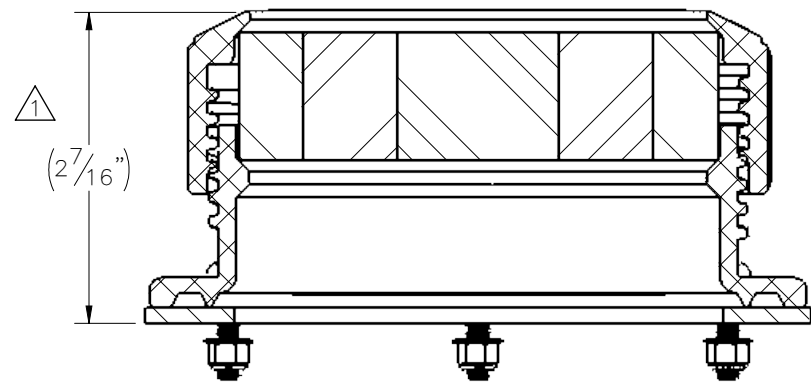
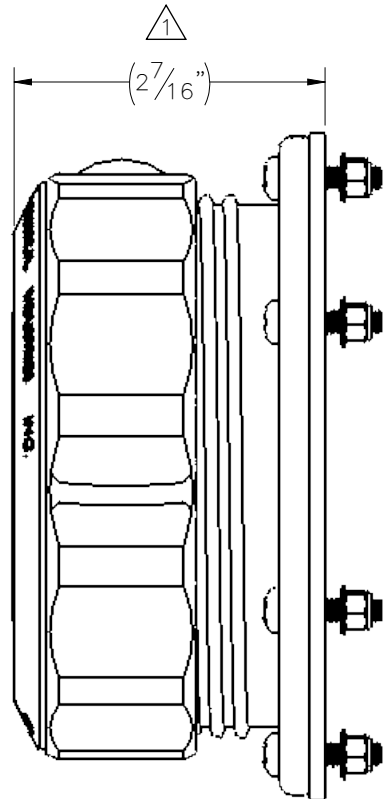
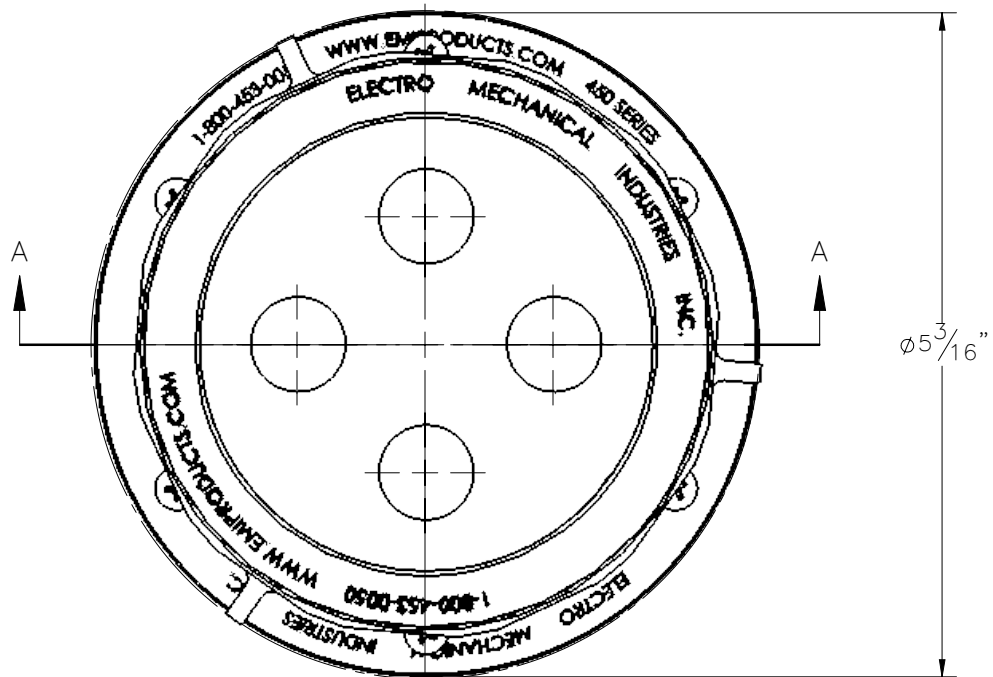
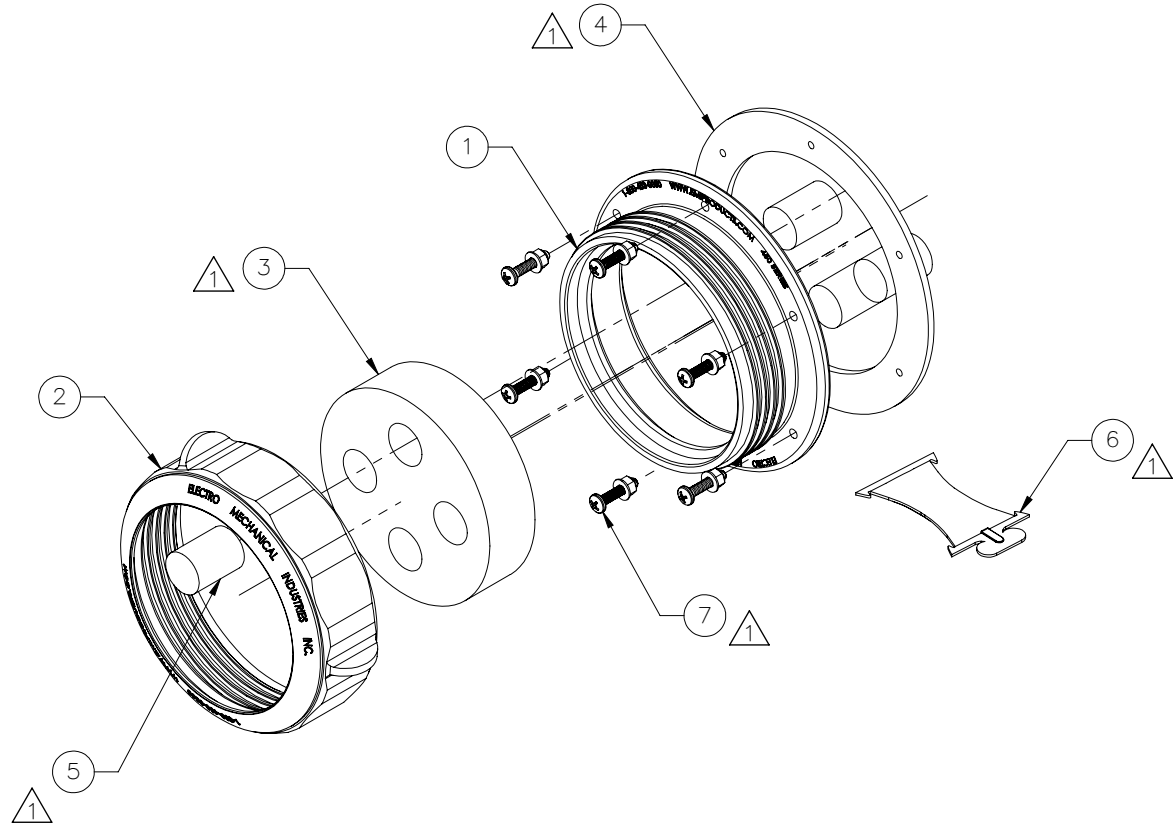


THE INFORMATION CONTAINED IN THIS DRAWING IS THE SOLE PROPERTY OF ELECTRO MECHANICAL INDUSTRIES, INC. ANY REPRODUCTION IN PART OR WHOLE WITHOUT THE WRITTEN PERMISSION OF ELECTRO MECHANICAL IND., IS PROHIBITED.


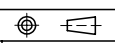
| REVISIONS | | | | | |
|-----------|-------|--|----------|-----|----------|
| REV. | DCN # | DESCRIPTION | DATE | BY | APPROVED |
| 1 | 01118 | P-003-843 TO P-003-866, T01-0003 TO P-005-435, P-003-855 TO P-004-059, 310-901-002 CORRECTED TO 310-91L-002, HW KITTED TO 1000-0020-0100 | 02/14/22 | JTR | JPB |



SECTION A-A



| ITEM NO. | QTY REQD | PART NUMBER | DESCRIPTION | LENGTH | WEIGHT |
|----------|----------|----------------|--|--------|--------|
| 1 | 1 | P-002-783 | 450 SERIES PORTAL BODY, W/ ACME STYLE THD. | | 0.19 |
| 2 | 1 | P-002-784 | 450 SERIES PORTAL CAP, W/ ACME STYLE THD. | | 0.20 |
| 3 | 1 | P-003-866 | 450 SERIES GROMMET, 4/0 TELCO (WJ) | | 0.335 |
| 4 | 1 | P-005-435 | 450 SERIES PORTAL GASKET | | 0.06 |
| 5 | 4 | P-004-059 | GROMMET PLUG, .740 DIA. (WJ) | | 0.0 |
| 6 | 1 | 310-90L-0002 | LUBE PACKET | | 0.02 |
| 7 | 1 | 1000-0020-0100 | 450 SERIES GROMMET ATTACHING HARDWARE KIT | | 0.0 |

| | | | | | | | | | |
|--|--|--|--|--------------------|--|------------|--|---|--|
| SURFACE FINISH <input checked="" type="checkbox"/> UNLESS OTHERWISE SPECIFIED | | UNLESS OTHERWISE SPECIFIED DIMENSIONS ARE IN INCHES | | APPROVALS | | DATE | |  ELECTRO MECHANICAL INDUSTRIES, INC. 11230 NEESEHAW DRIVE HOUSTON, TEXAS 77065 1-800-453-0050 | |
| MATERIAL SEE PARTS LIST | | TOLERANCES .0 ± .06 .00 ± .015 .000 ± .005 FRACTIONS ± 1/16 ANGLES ± .25° HOLES: DRILLED OR PUNCHED ± 1/32 BURNED ± 1/32 | | DRAWN RLWjr | | 12/5/2019 | | | |
| THIRD ANGLE PROJECTION  | | | | CHECKER C. SANCHEZ | | 12/13/2019 | | SIZE B DRAWING NO. 1017-0120-0002 REV 1 | |
| NEXT ASSY USED ON | | | | ENGINEER J. BREEN | | 12/16/2019 | | | |
| APPLICATIONS | | | | PRODUCTION J.K.S. | | 12/17/2019 | | | |