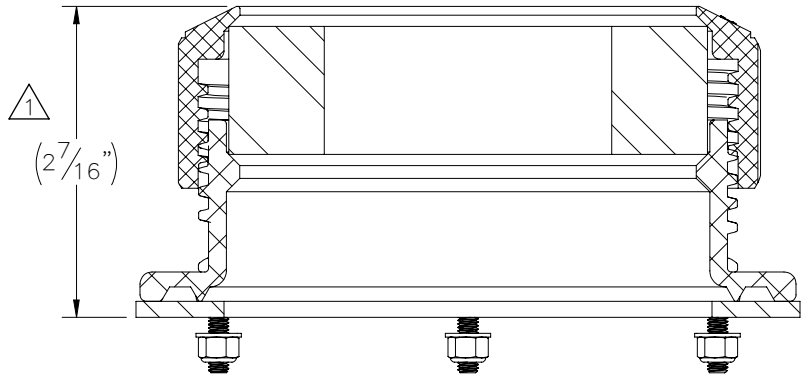
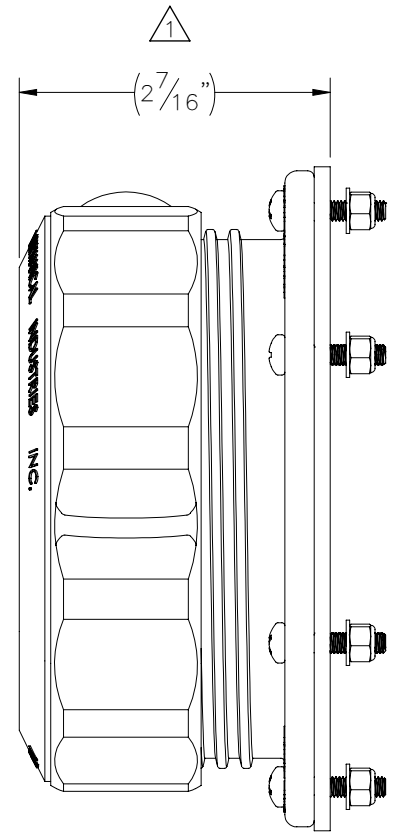
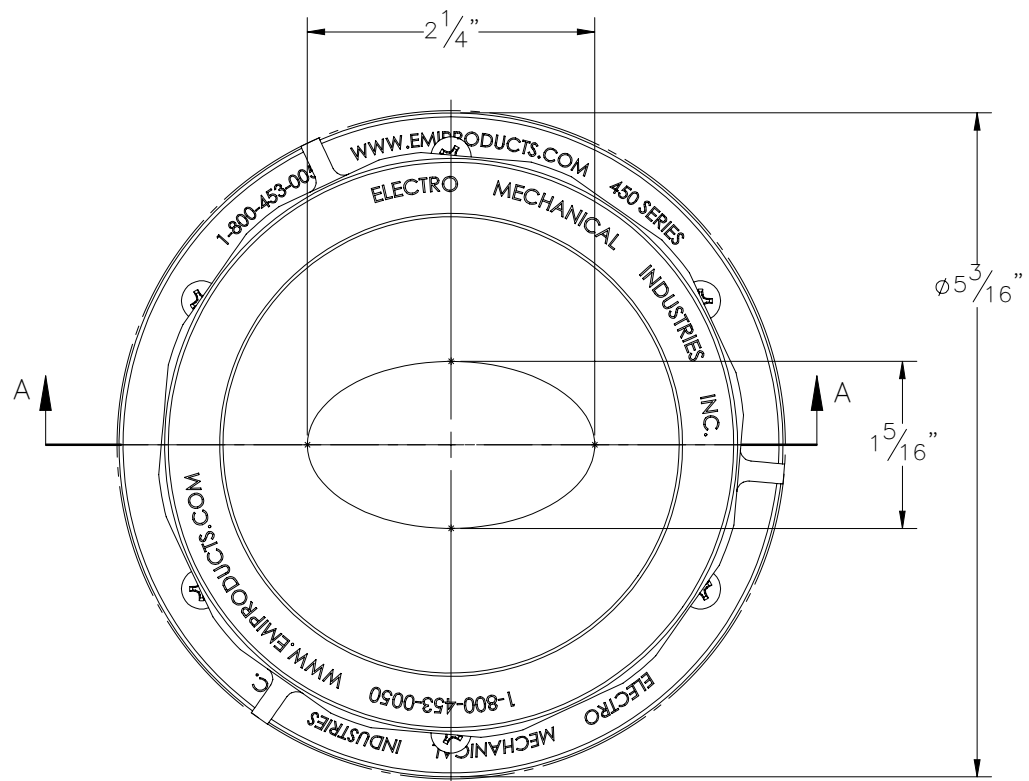
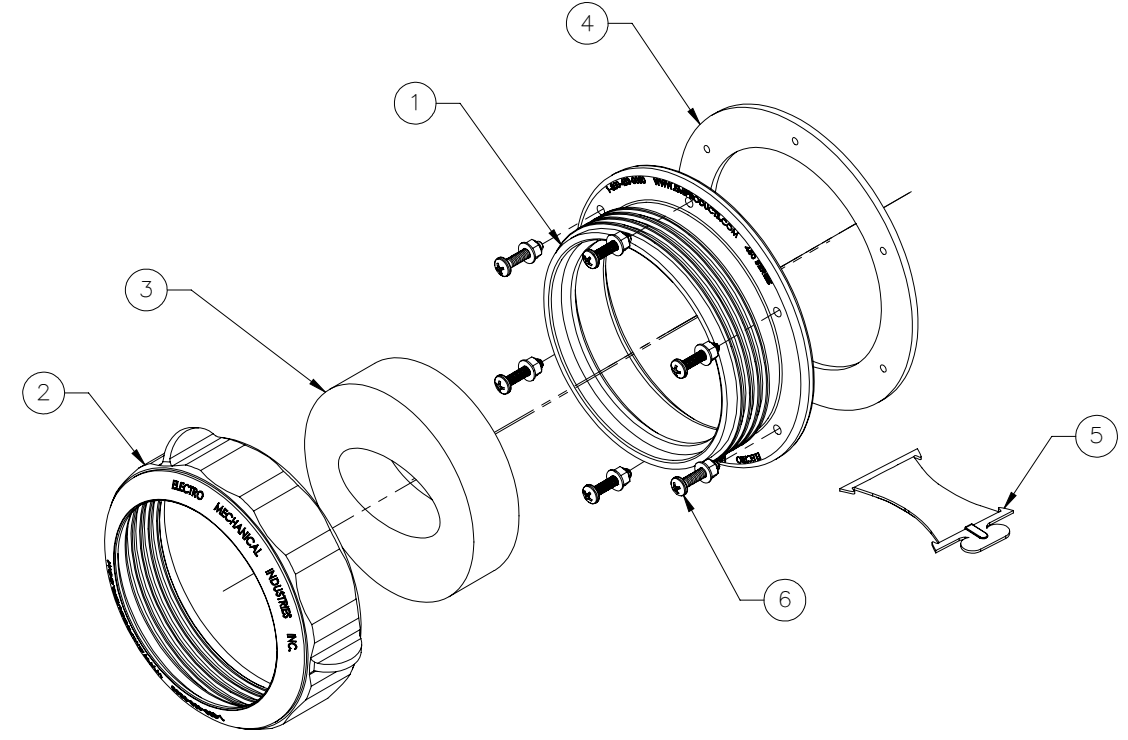


THE INFORMATION CONTAINED IN THIS DRAWING IS THE SOLE PROPERTY OF ELECTRO MECHANICAL INDUSTRIES, INC. ANY REPRODUCTION IN PART OR WHOLE WITHOUT THE WRITTEN PERMISSION OF ELECTRO MECHANICAL IND., IS PROHIBITED.


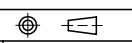
REVISIONS					
REV.	DCN #	DESCRIPTION	DATE	BY	APPROVED
1	01118	P-003-844 TO P-003-867, T01-0003 TO P-005-435, 310-901-002 CORRECTED TO 310-91L-002, HW KITTED TO 1000-0020-0100	02/15/22	JTR	JPB



SECTION A-A



ITEM NO.	QTY REQD	PART NUMBER	DESCRIPTION	LENGTH	WEIGHT
1	1	P-002-783	450 SERIES PORTAL BODY, W/ ACME STYLE THD.		0.19
2	1	P-002-784	450 SERIES PORTAL CAP, W/ ACME STYLE THD.		0.20
3	1	P-003-867	450 SERIES GROMMET, EW52 (WJ)		0.314
4	1	P-005-435	450 SERIES PORTAL GASKET		0.06
5	1	310-90L-0002	LUBE PACKET		0.02
6	1	1000-0020-0100	450 SERIES GROMMET ATTACHING HARDWARE KIT		0.0

SURFACE FINISH <input checked="" type="checkbox"/> UNLESS OTHERWISE SPECIFIED		UNLESS OTHERWISE SPECIFIED DIMENSIONS ARE IN INCHES		APPROVALS		DATE		 ELECTRO MECHANICAL INDUSTRIES, INC. 11230 NEESESHAW DRIVE HOUSTON, TEXAS 77065 1-800-453-0050	
MATERIAL SEE PARTS LIST		TOLERANCES .0 ±.06 .00 ±.015 .000 ±.005		DRAWN RLWjr		12/5/2019		TITLE: 450 SERIES PORTAL ENTRY, ELLIPTICAL	
THIRD ANGLE PROJECTION 		FRACTIONS ± 1/16		CHECKER C. SANCHEZ		12/13/2019			
NEXT ASSY		HOLES: DRILLED OR PUNCHED ±1/32 BURNED ±1/32		ENGINEER J. BREEN		12/16/2019			
USED ON				PRODUCTION J.K.S.		12/17/2019			
APPLICATIONS				SCALE: 1:1.5		WEIGHT: 0.80 lbs.		SHEET 1 OF 1	

NOTE:
1. OPTIONAL PLUG P-004-060

SIZE B DRAWING NO. 1017-0120-0003 REV 1