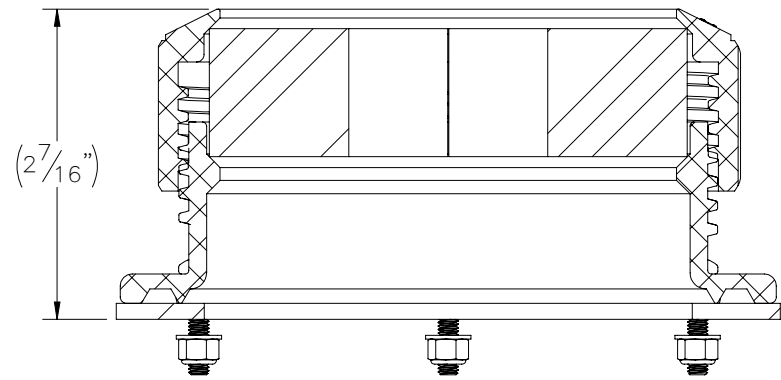
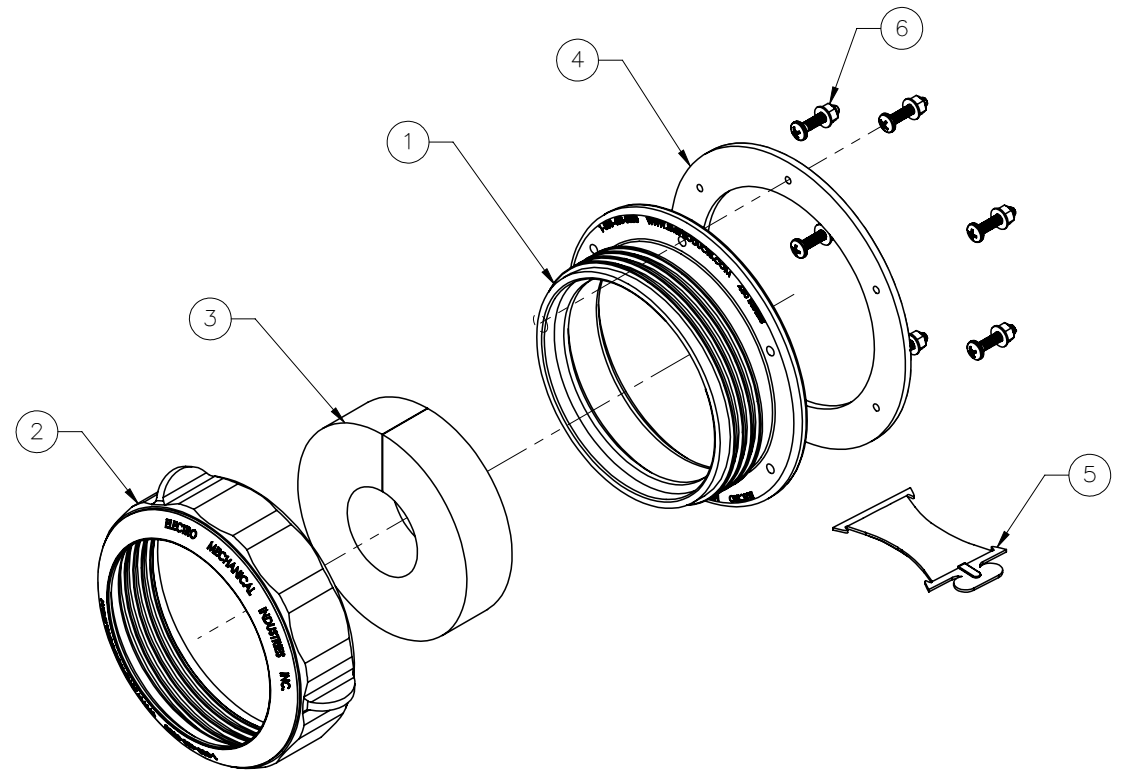
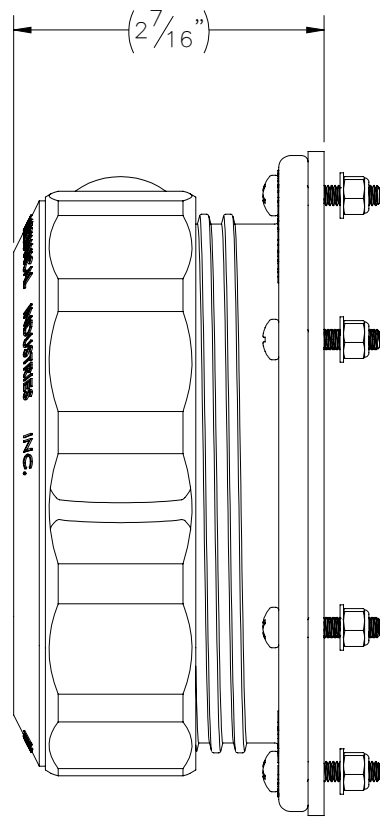
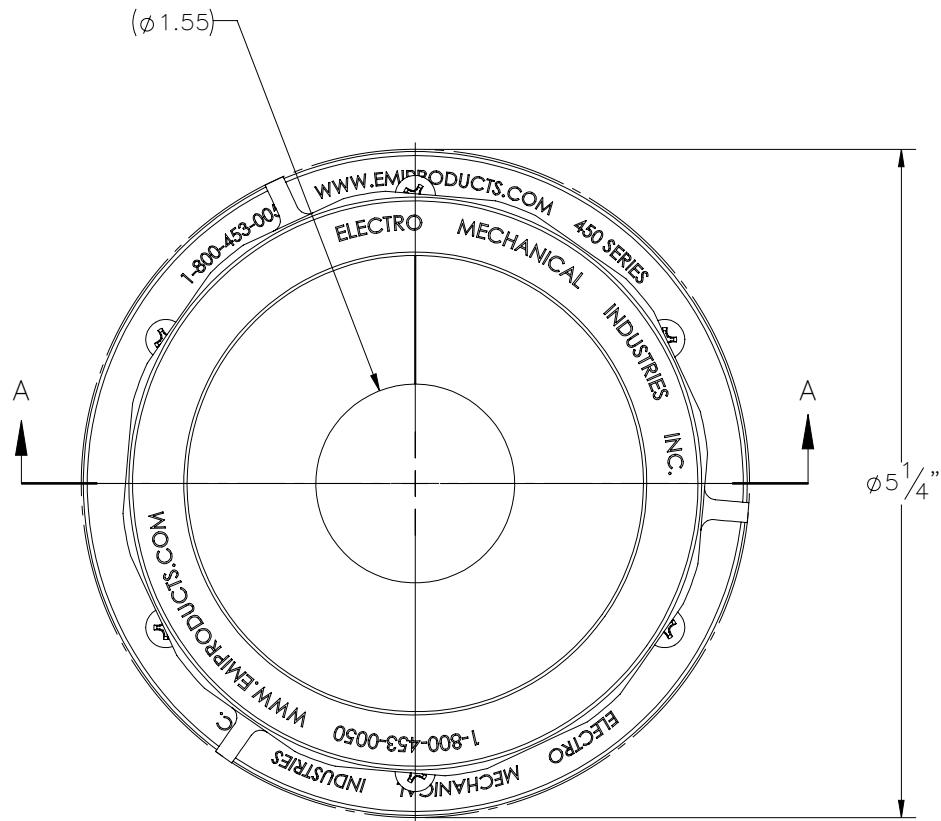



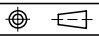
THE INFORMATION CONTAINED IN THIS DRAWING IS THE SOLE PROPERTY OF ELECTRO MECHANICAL INDUSTRIES, INC. ANY REPRODUCTION IN PART OR WHOLE WITHOUT THE WRITTEN PERMISSION OF ELECTRO MECHANICAL IND., IS PROHIBITED.



SECTION A-A



ITEM NO.	QTY REQD	PART NUMBER	DESCRIPTION	LENGTH	WEIGHT
1	1	P-002-783	450 SERIES PORTAL BODY, W/ ACME STYLE THD.		0.19
2	1	P-002-784	450 SERIES PORTAL CAP, W/ ACME STYLE THD.		0.20
3	1	P-004-903	450 SERIES GROMMET, 1.25 COAX		0.33
4	1	P-005-435	450 SERIES PORTAL GASKET		0.06
5	1	310-90L-0002	LUBE PACKET		0.02
6	1	1000-0020-0100	450 SERIES GROMMET ATTACHING HARDWARE KIT		0.0

SURFACE FINISH <input checked="" type="checkbox"/> UNLESS OTHERWISE SPECIFIED		UNLESS OTHERWISE SPECIFIED DIMENSIONS ARE IN INCHES		APPROVALS	DATE	 ELECTRO MECHANICAL INDUSTRIES, INC. 11230 NEESESHAW DRIVE HOUSTON, TEXAS 77065 1-800-453-0050
MATERIAL SEE PARTS LIST		TOLERANCES		DRAWN C. SANCHEZ	6/16/2023	
THIRD ANGLE PROJECTION 		.0 ± .06 .00 ± .015 .000 ± .005 FRACTIONS ± 1/16 ANGLES ± .25° HOLES: DRILLED OR PUNCHED ± 1/32 BURNED ± 1/32		CHECKER J. Breen	6/16/2023	
NEXT ASSY USED ON				ENGINEER J. Breen	6/16/2023	
APPLICATIONS				PRODUCTION J. KERNER	6/16/2023	TITLE: 450 SERIES PORTAL ENTRY, W/ 1.25 COAX GROMMET
				SIZE B DRAWING NO. 1017-0120-0004 REV 0		SCALE: 1:1.5 WEIGHT: 0.82 lbs. SHEET 1 OF 1