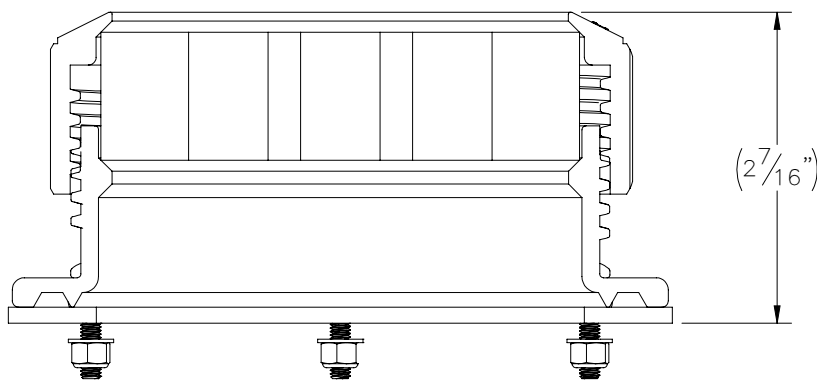
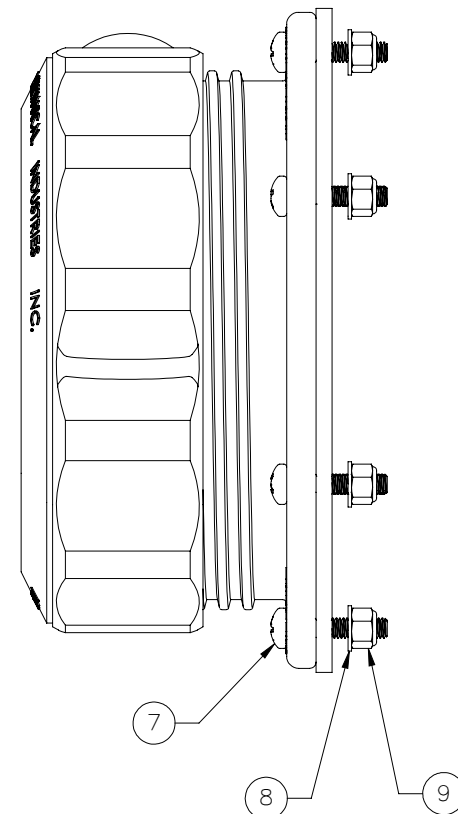
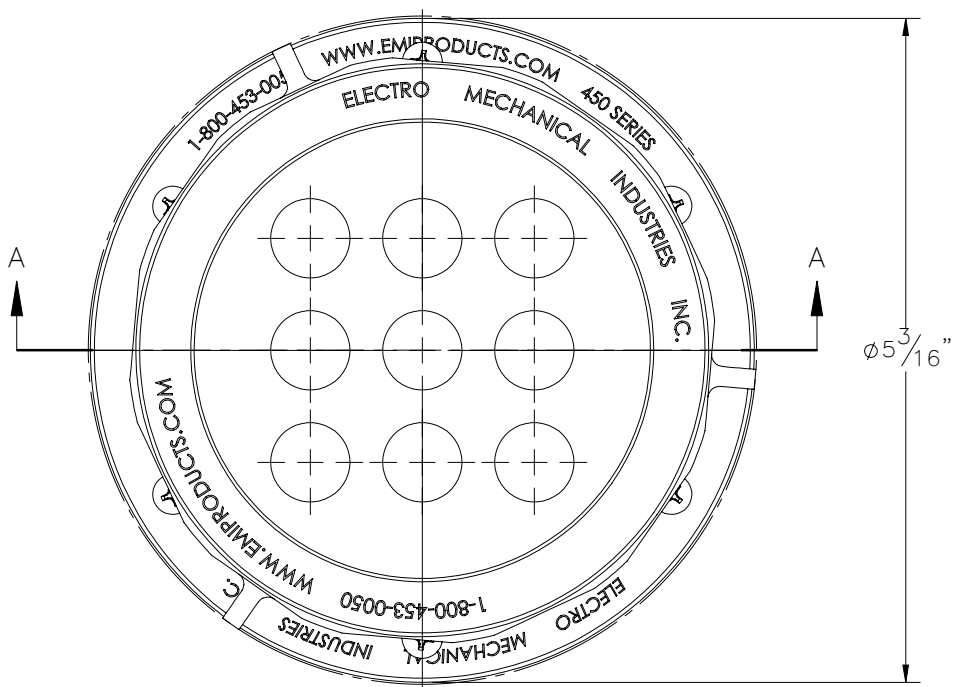
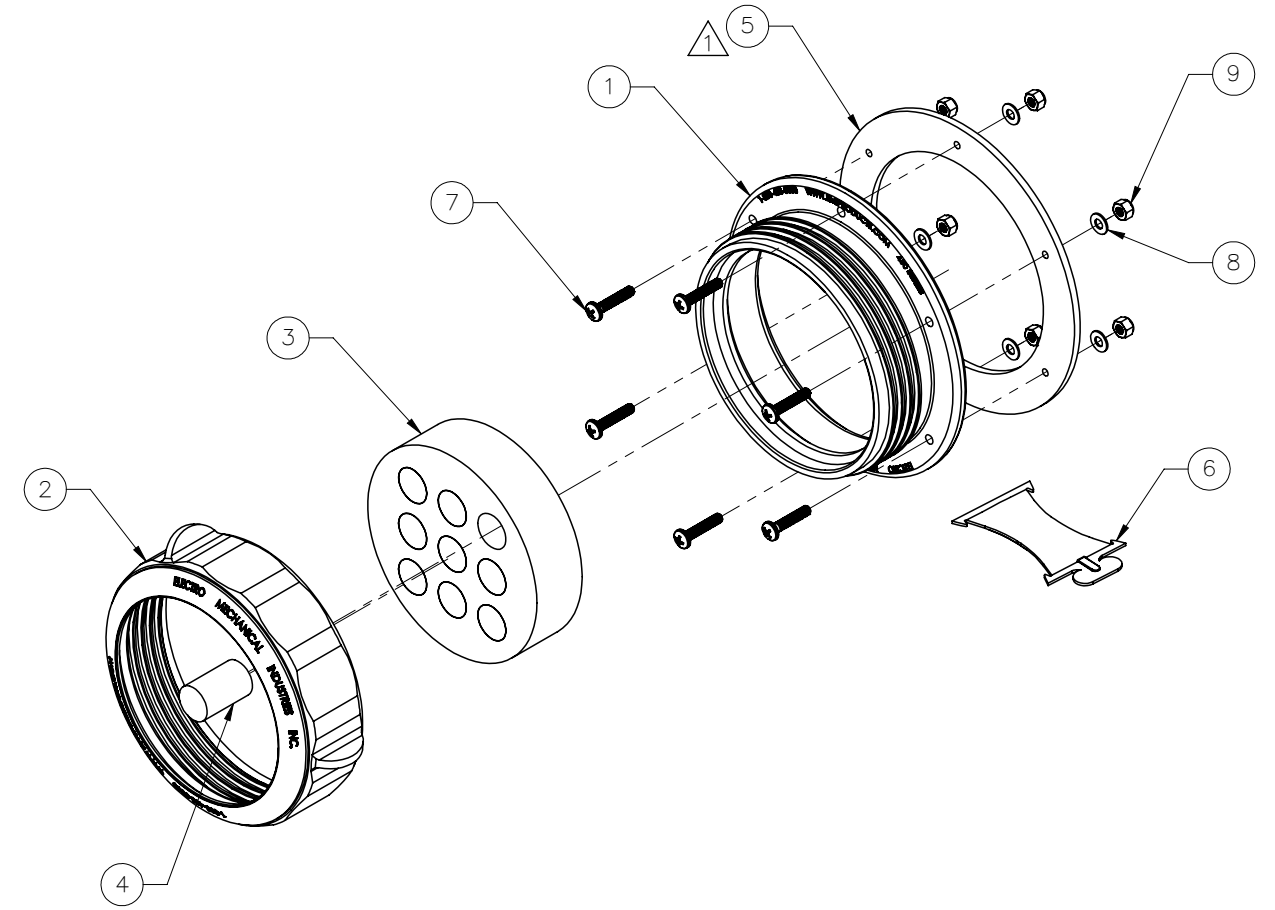


THE INFORMATION CONTAINED IN THIS DRAWING IS THE SOLE PROPERTY OF ELECTRO MECHANICAL INDUSTRIES, INC. ANY REPRODUCTION IN PART OR WHOLE WITHOUT THE WRITTEN PERMISSION OF ELECTRO MECHANICAL IND., IS PROHIBITED.

REVISIONS					
REV.	DCN #	DESCRIPTION	DATE	BY	APPROVED
1	01185	P-005-435 WAS T01-0003	10/03/2022	BLH	JPB


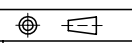


SECTION A-A



ITEM NO.	QTY REQD	PART NUMBER	DESCRIPTION	LENGTH	WEIGHT
1	1	P-002-783	450 SERIES PORTAL BODY, W/ ACME STYLE THD.		0.19
2	1	P-002-784	450 SERIES PORTAL CAP, W/ ACME STYLE THD.		0.20
3	1	P-005-201	450 SERIES GROMMET, (9) .620		0.30
4	9	P-005-202	GROMMET PLUG, 5/8" DIA. (WJ)	1"	0.0
5	1	P-005-435	450 SERIES PORTAL GASKET		0.06
6	1	310-90L-0002	LUBE PACKET		0.02
7	6	002-0SS-M001	SCREW, PHILLIPS HEAD, M4-7X20 , 18-8 SS		0.00
8	6	002-0FW-SM01	FLAT WASHER, M4, 18-8 S.S.		0.27
9	6	002-0NS-M001	NUT, NY-LOCK, M4-7, 18-8 S.S		1.179

NOTES:
 1 SHOWN UNCOMPRESSED, SCREW UNTIL HAND TIGHT.

SURFACE FINISH <input checked="" type="checkbox"/> UNLESS OTHERWISE SPECIFIED		UNLESS OTHERWISE SPECIFIED DIMENSIONS ARE IN INCHES		APPROVALS		DATE		 ELECTRO MECHANICAL INDUSTRIES, INC. 11230 NEESEAW DRIVE HOUSTON, TEXAS 77065 1-800-453-0050	
MATERIAL SEE PARTS LIST		TOLERANCES .0 ± .06 .00 ± .015 .000 ± .005		DRAWN J. ROACH		12/6/2021			
THIRD ANGLE PROJECTION 		FRACTIONS ± 1/16		CHECKER B. HUTSON		12/6/2021		TITLE: 450 SERIES PORTAL ENTRY, 9 HOLES, WJ GROMMET	
NEXT ASSY USED ON		ANGLES ± .25°		ENGINEER J. BREEN		12/6/2021			
APPLICATIONS		HOLES: DRILLED OR PUNCHED ± 1/32		PRODUCTION J. LEE		12/6/2021		SIZE B DRAWING NO. 1017-0120-0005 REV 1	
		BURNED ± 1/32						SCALE: 1:1.5 WEIGHT: 0.91 lbs. SHEET 1 OF 1	