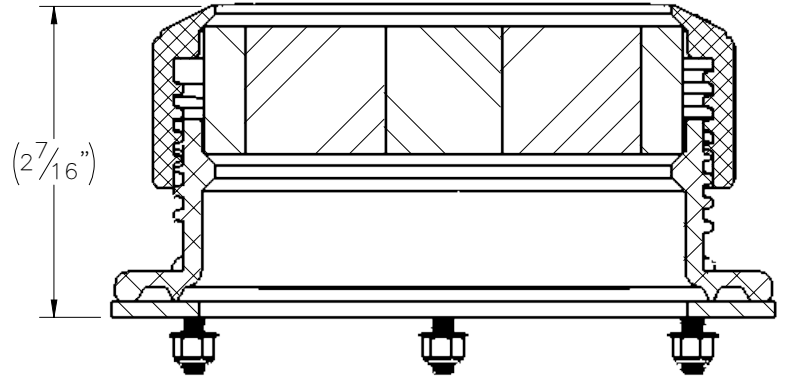
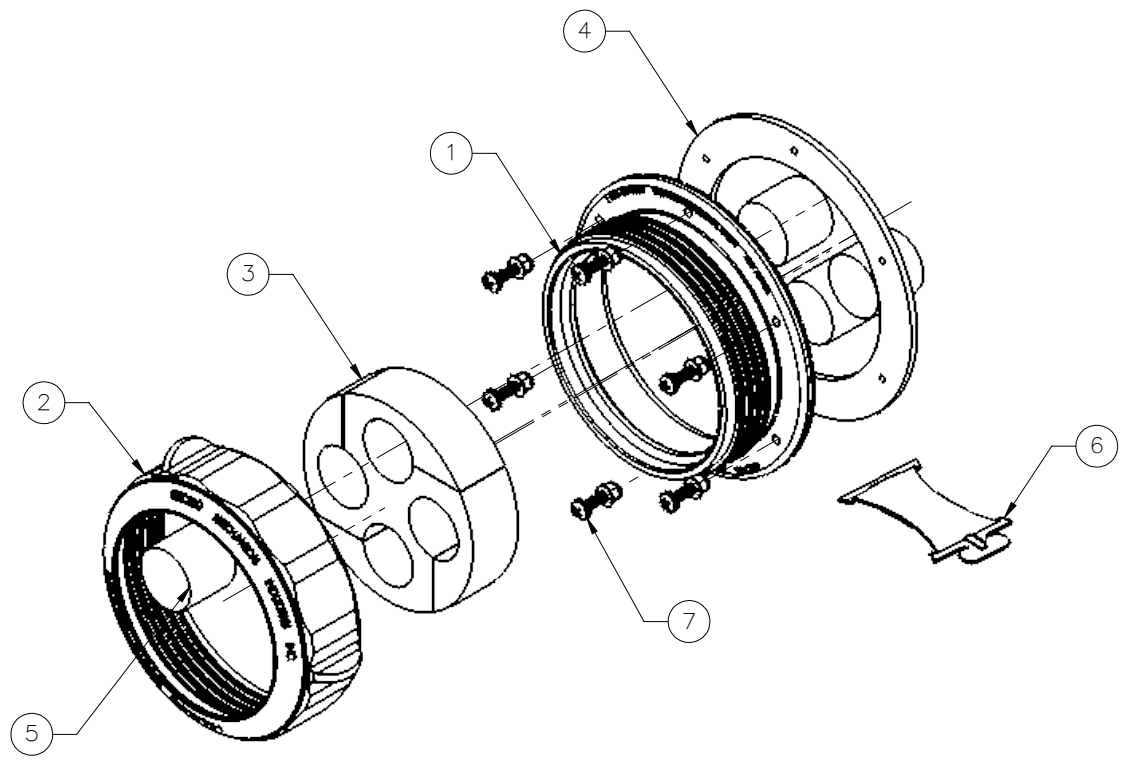
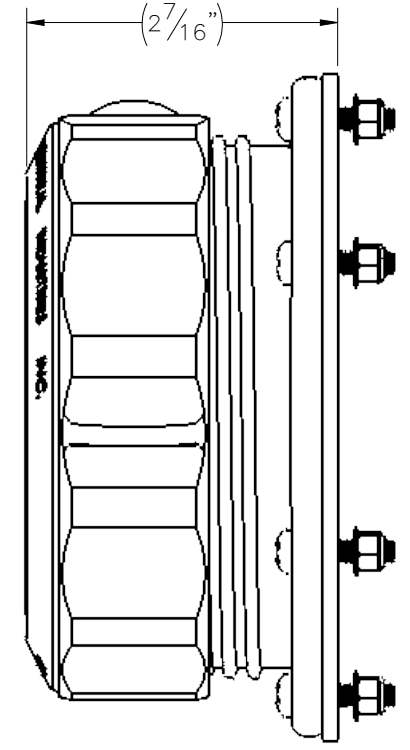
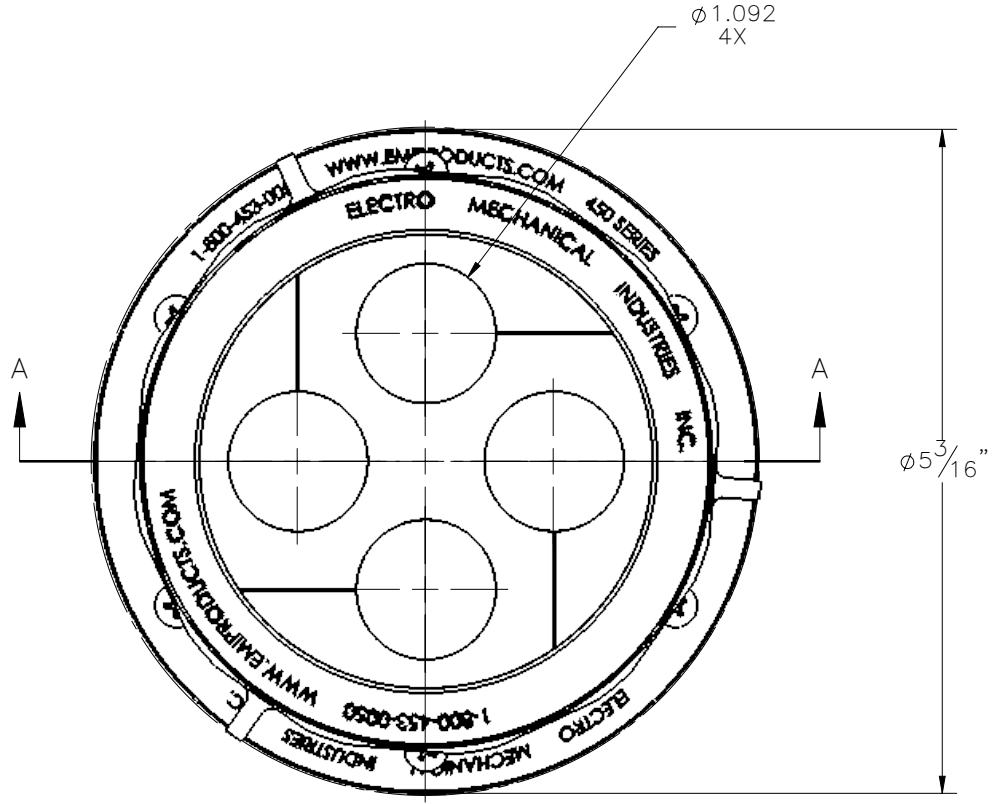


THE INFORMATION CONTAINED IN THIS DRAWING IS THE SOLE PROPERTY OF ELECTRO MECHANICAL INDUSTRIES, INC. ANY REPRODUCTION IN PART OR WHOLE WITHOUT THE WRITTEN PERMISSION OF ELECTRO MECHANICAL IND., IS PROHIBITED.


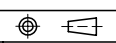


SECTION A-A



ITEM NO.	QTY REQD	PART NUMBER	DESCRIPTION	LENGTH	WEIGHT
1	1	P-002-783	450 SERIES PORTAL BODY, W/ ACME STYLE THD.		0.19
2	1	P-002-784	450 SERIES PORTAL CAP, W/ ACME STYLE THD.		0.20
3	1	P-005-560	450 SERIES GROMMET, 4 X 7/8" COAX (WJ)		0.26
4	1	P-005-435	450 SERIES PORTAL GASKET		0.06
5	4	P-005-565	GROMMET PLUG, 1.092 DIA. (WJ)	1"	0.04
6	1	310-90L-0002	LUBE PACKET		0.02
7	1	1000-0020-0100	450 SERIES GROMMET ATTACHING HARDWARE KIT		0.02

NOTES:
 1. SHOWN UNCOMPRESSED, SCREW UNTIL HAND TIGHT
 2. EQUIVALENT TO LEGACY PN 310-450-0003

SURFACE FINISH <input checked="" type="checkbox"/> UNLESS OTHERWISE SPECIFIED		UNLESS OTHERWISE SPECIFIED DIMENSIONS ARE IN INCHES		APPROVALS		DATE		 ELECTRO MECHANICAL INDUSTRIES, INC. 11230 NEESESHAW DRIVE HOUSTON, TEXAS 77065 1-800-453-0050	
MATERIAL SEE PARTS LIST		TOLERANCES .0 ± .06 .00 ± .015 .000 ± .005 FRACTIONS ± 1/16 ANGLES ± .25° HOLES: DRILLED OR PUNCHED ± 1/32 BURNED ± 1/32		DRAWN C. SANCHEZ		5/18/2022			
THIRD ANGLE PROJECTION 				CHECKER J. Breen		5/18/2022		SIZE B DRAWING NO. 1017-0120-0006 REV 0	
NEXT ASSY		USED ON		ENGINEER J. Breen		5/18/2022			
APPLICATIONS				PRODUCTION J. LEE		5/18/2022			