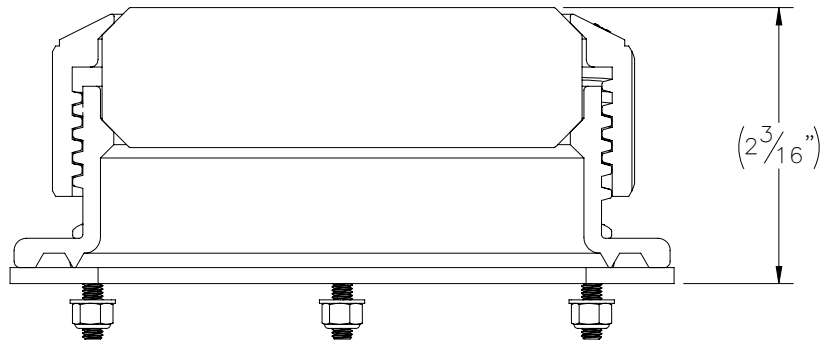
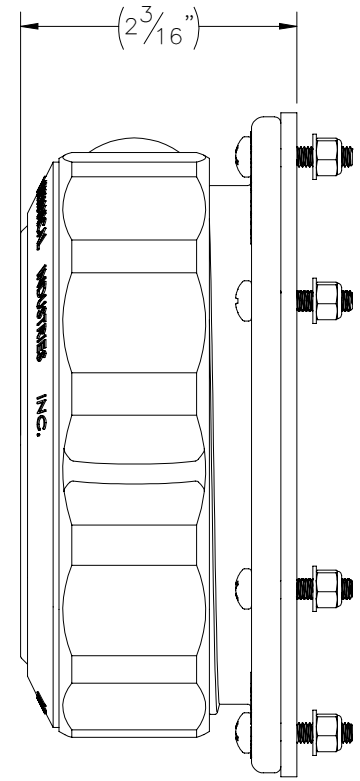
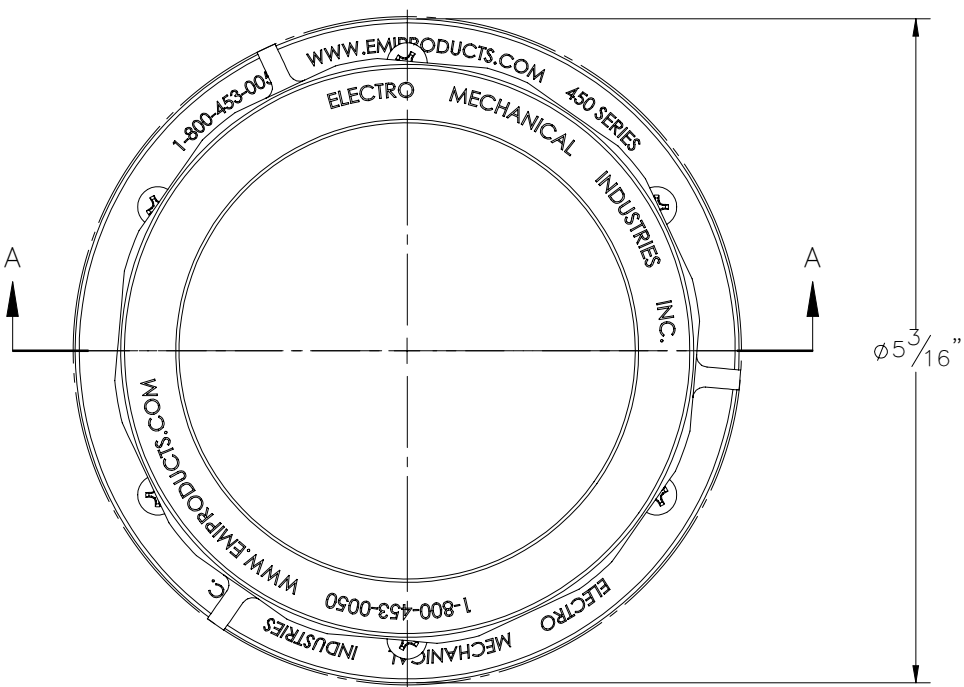
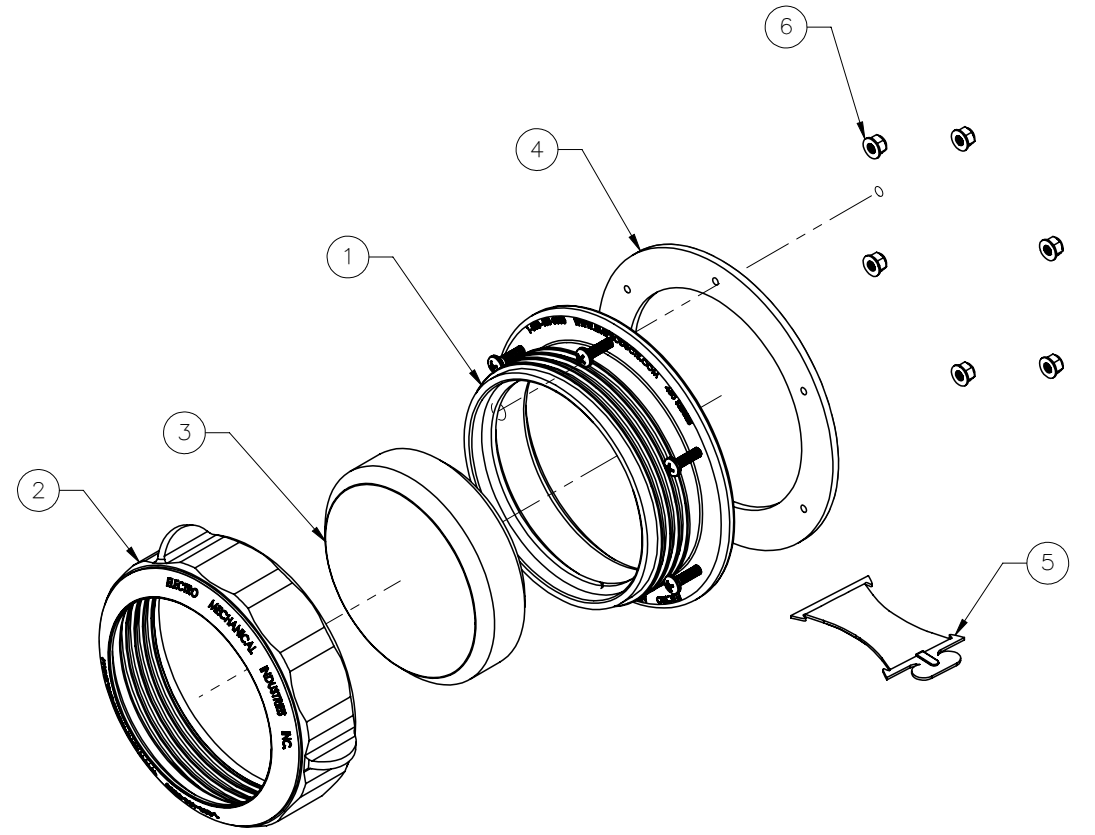


THE INFORMATION CONTAINED IN THIS DRAWING IS THE SOLE PROPERTY OF ELECTRO MECHANICAL INDUSTRIES, INC. ANY REPRODUCTION IN PART OR WHOLE WITHOUT THE WRITTEN PERMISSION OF ELECTRO MECHANICAL IND., IS PROHIBITED.



SECTION A-A



ITEM NO.	QTY REQD	PART NUMBER	DESCRIPTION	LENGTH	WEIGHT
1	1	P-002-783	450 SERIES PORTAL BODY, W/ ACME STYLE THD.		0.19
2	1	P-002-784	450 SERIES PORTAL CAP, W/ ACME STYLE THD.		0.20
3	1	P-003-868	450 SERIES PORTAL GROMMET, BLANK		0.49
4	1	P-005-435	450 SERIES PORTAL GASKET		0.06
5	1	310-90L-0002	LUBE PACKET		0.02
6	1	1000-0020-0100	450 SERIES GROMMET ATTACHING HARDWARE KIT		0.0

SURFACE FINISH <input checked="" type="checkbox"/> UNLESS OTHERWISE SPECIFIED		UNLESS OTHERWISE SPECIFIED DIMENSIONS ARE IN INCHES		APPROVALS		DATE		ELECTRO MECHANICAL INDUSTRIES, INC. 11230 NEESESHAW DRIVE HOUSTON, TEXAS 77065 1-800-453-0050	
MATERIAL SEE PARTS LIST		TOLERANCES .0 ± .06 .00 ± .015 .000 ± .005		DRAWN C. SANCHEZ		12/1/2023			
THIRD ANGLE PROJECTION		FRACTIONS ± 1/16 ANGLES ± .25°		CHECKER J. Breen		12/4/2023			
NEXT ASSY USED ON		HOLES: DRILLED OR PUNCHED ± 1/32		ENGINEER J. Breen		12/4/2023			
APPLICATIONS		BURNED ± 1/32		PRODUCTION J. KERNER		12/4/2023			
						SIZE B DRAWING NO. 1017-0120-0010 REV 0			
						SCALE: 1:1.5		WEIGHT: 0.96 lbs.	
								SHEET 1 OF 1	