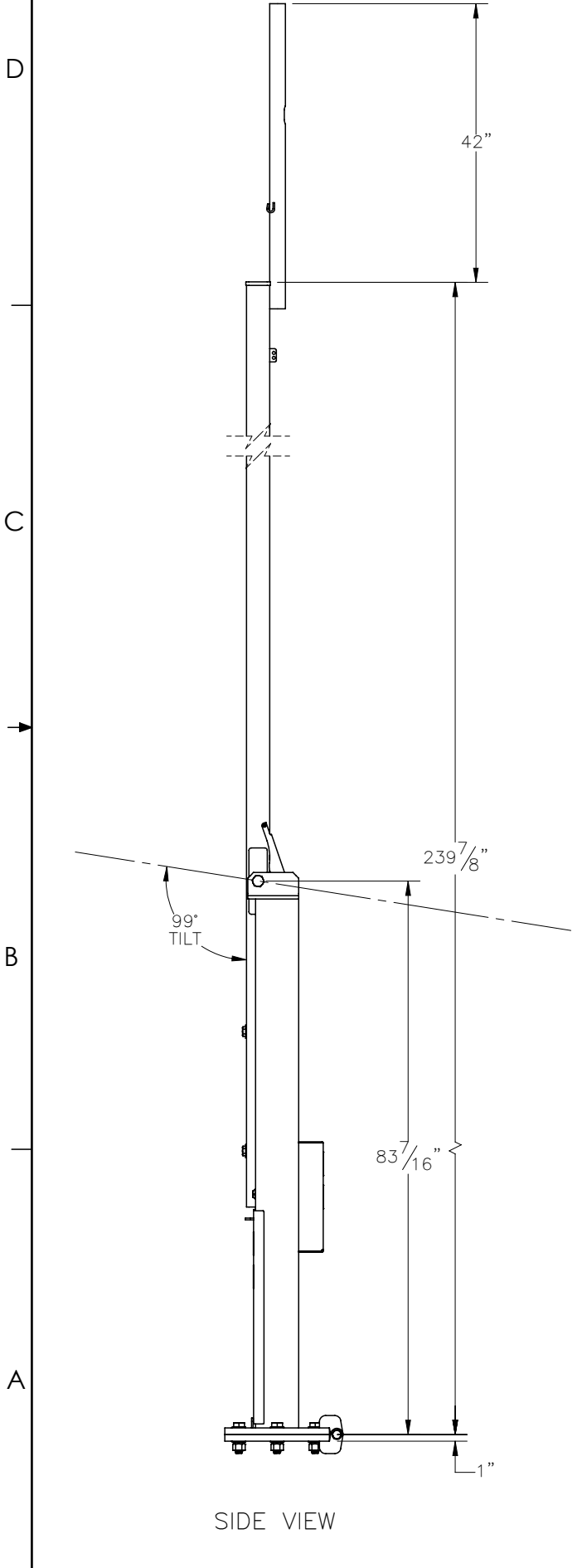


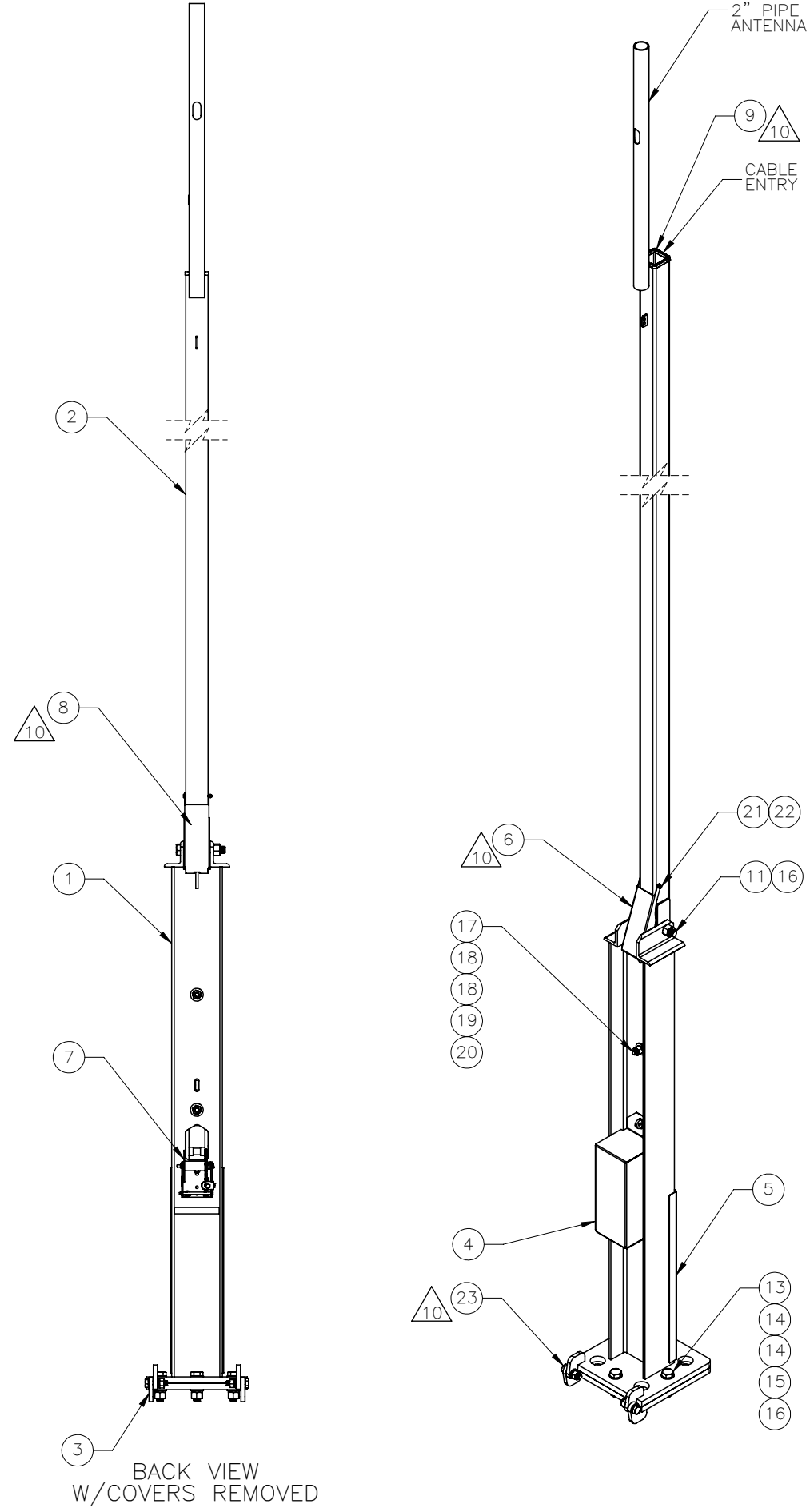
THE INFORMATION CONTAINED IN THIS DRAWING IS THE SOLE PROPERTY OF ELECTRO MECHANICAL INDUSTRIES, INC. ANY REPRODUCTION IN PART OR WHOLE WITHOUT THE WRITTEN PERMISSION OF ELECTRO MECHANICAL IND., IS PROHIBITED.

PATENT: #8,910,432

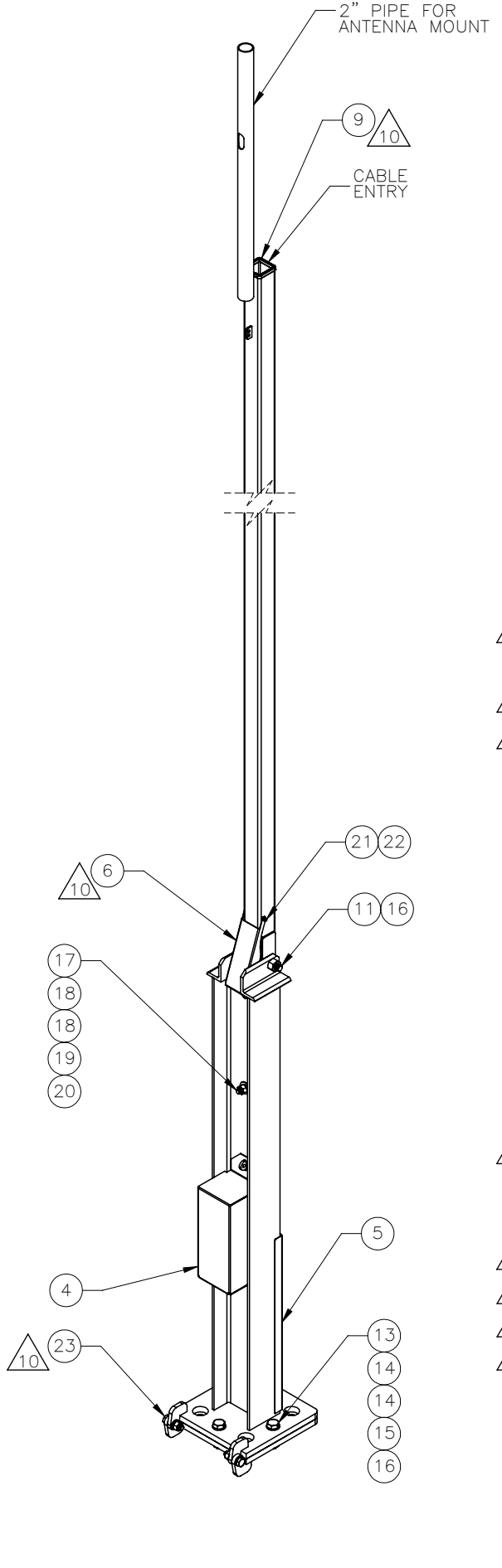
REVISIONS					
REV.	DCN #	DESCRIPTION	DATE	BY	APPROVED
10	01225	UPDATED TITLE BLOCK AND BOM, EDGE GUARD 309-000-0001-12 WAS (MCM) 24175K15 & 309-000-0002-11 WAS 309-000-0002, 002-ONG-0002 WAS 002-ONG-0019, KITTED HINGE HARDWARE, & ADDED SAFETY DECALS	3/6/2022	BLH	JPB



SIDE VIEW



BACK VIEW W/COVERS REMOVED



ITEM NO.	QTY REQD	PART NUMBER	DESCRIPTION	LENGTH	WEIGHT
1	1	400-004-1000-0100	SUPPORT BASE ASSEMBLY		247.56
2	1	400-004-1000-0200	MAST ASSEMBLY		157.38
3	1	400-004-3050-0630	LOWER HINGE BASE ASSEMBLY		69.28
4	1	400-004-3050-0612	WINCH COVER		8.795
5	1	400-004-3050-0629	FRONT COVER - NOTCHED		8.00
6	1	400-004-1000-0260	CABLE EXIT SHIELD		1.6
7	1	1002-0050-0003	WINCH KIT (1/4" X 14' WIRE ROPE)		9.7
8	1	309-000-0002-12	EDGE GUARD, 1/2", 12" LG.	12"	0.072
9	1	309-000-0001-11	EDGE GUARD, 3/16", 11" LG	11"	0.1
10	2	400-000-0902	1" SCH. 40 PVC SLEEVE		0.024
11	1	002-0BG-0081	BOLT, HX HD, 1.00-8UNC X 7.00 LG, GR B7, GALV		1.90
12	1	002-0BG-0226	BOLT, HX HD, 1.00-8UNC X 5.00 LG, GR B7, GALV		1.44
13	4	002-0BG-0210	BOLT, HX HD, 1.00-8 X 4.00 LG, ASTM A193 GR B7, GALV		1.21
14	8	002-0FW-G009	WASHER, FLAT, 1.00, GALV, F436		0.10
15	4	002-0LW-G008	WASHER, SPLIT LOCK, 1.00", GALV		0.09
16	6	002-0NG-0000	NUT, HX, ANCO LOCK, 1.00-8UNC, GR 2H, GALV		0.43
17	2	002-0BG-0216	BOLT, HX HD, .75-10UNC X 6.50 LG, ASTM A325, GALV.		1.0
18	4	002-0FW-G000	WASHER, FLAT, .75 INCH, USS, GALV		0.09
19	2	002-0LW-G003	WASHER, SPLIT LOCK, .75", GALV		0.04
20	2	002-0NG-0002	NUT, HEX, .750-10, GALV, GR 2H		0.189
21	1	002-0BZ-0038	BOLT, HX HD, .25-20 X 4.25" LG., ZINC PL		0.01
22	1	002-0NZ-0006	NUT, NY-LOCK, .250-20UNC, ZINC PLTD, STL		0.001
23	1	1000-0020-0074	TILT-UP TOWER HINGE 3/4" HARDWARE KIT		1.685
24	2	999-999-L001	3.5" x 5" DO NOT CLIMB DECAL		0.006
25	2	999-999-L002	3.5" x 5" PINCH POINT DECAL		0.006
26	1	999-999-L003	3.5" x 5" WINCH RATING DECAL		0.006

SURFACE FINISH <input checked="" type="checkbox"/> UNLESS OTHERWISE SPECIFIED		UNLESS OTHERWISE SPECIFIED DIMENSIONS ARE IN INCHES		APPROVALS		DATE	
MATERIAL SEE PARTS LIST		TOLERANCES		DRAWN CS		11/1/2010	
THIRD ANGLE PROJECTION		FRACTIONS ± 1/16		CHECKER CG		11/3/2010	
NEXT ASSY		ANGLES ± .25°		ENGINEER CS		11/1/2010	
USED ON		HOLES: DRILLED OR PUNCHED ± 1/32		PRODUCTION JKS		11/3/2010	
APPLICATIONS		BURNED ± 1/32		TITLE:		20FT TILT UP TOWER	
				SIZE B		DRAWING NO. 400-004-1000	
				SCALE: 1:48		WEIGHT: 518.82 lbs.	
				SHEET 1 OF 1		REV 10	

