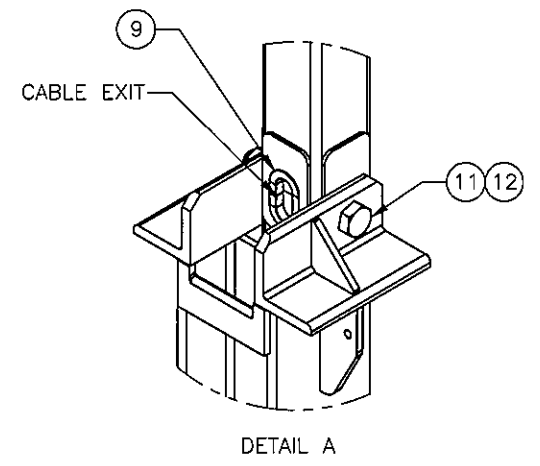
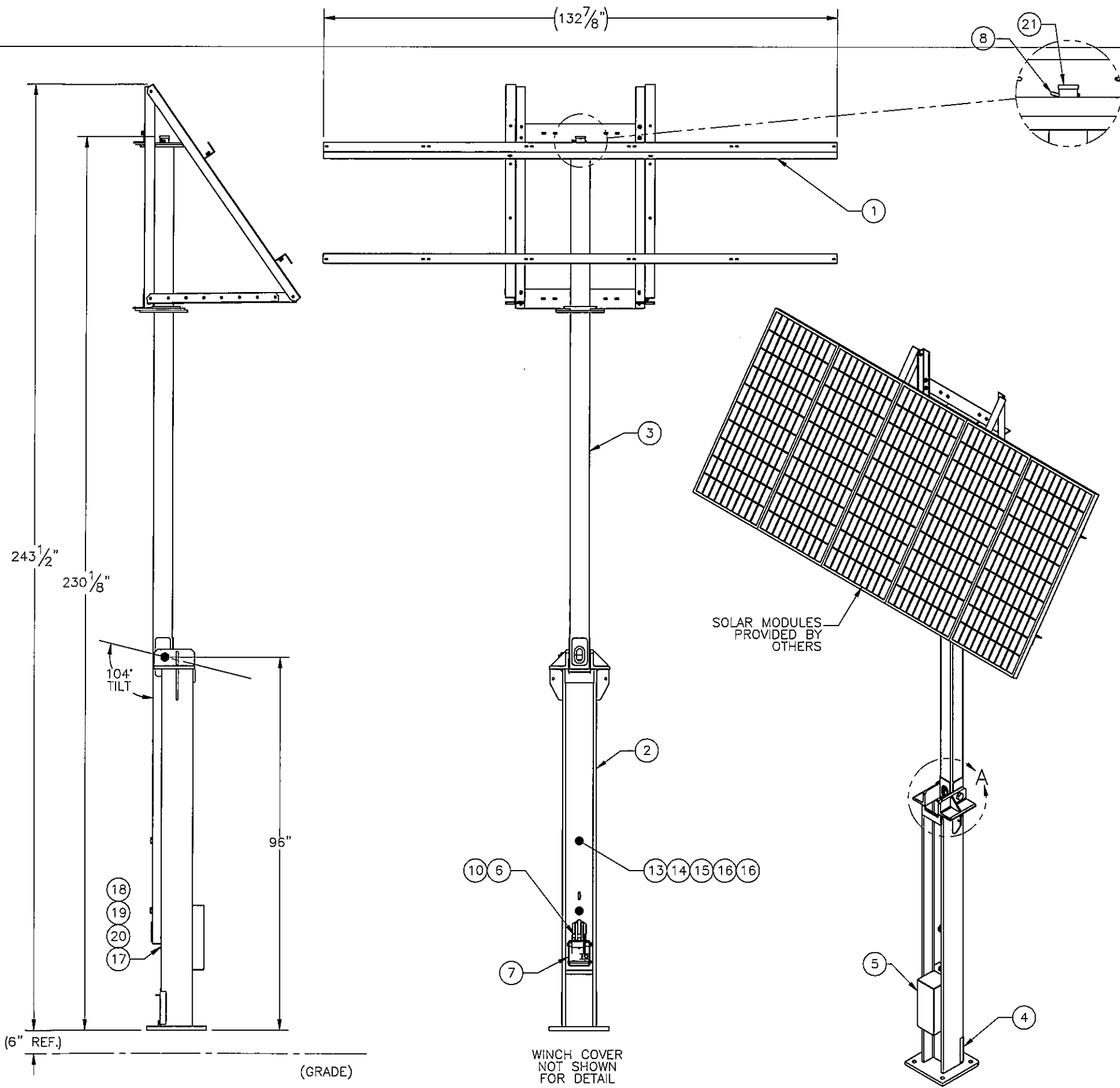



THE INFORMATION CONTAINED IN THIS DRAWING IS THE SOLE PROPERTY OF ELECTRO MECHANICAL INDUSTRIES, INC. ANY REPRODUCTION IN PART OR WHOLE WITHOUT THE WRITTEN PERMISSION OF ELECTRO MECHANICAL IND., IS PROHIBITED.

REVISIONS					
REV.	DCN #	DESCRIPTION	DATE	BY	APPROVED
6	00869	UPDATED HARDWARE AND ADDED SAFETY DECALS	11.20.2020	BLH	JPB



ITEM NO.	QTY.	PART NUMBER	DESCRIPTION	LENGTH	Weight
1	1	400-004-1850-0050	5 SOLAR MODULE FRAME ASSEMBLY		247.1
2	1	400-004-1850-0100	SUPPORT BASE ASSEMBLY		570.4
3	1	400-004-1850-0200	MAST ASSEMBLY		307.08
4	1	400-004-1850-0129	FRONT COVER		1.98
5	1	400-004-3050-0612	WINCH COVER		8.740
6	1	400-004-3054-0071	.875" DIA. X 5.75" LG. PIN		0.956
7	1	1002-0050-0003	WINCH KIT (1/4" X 14' WIRE ROPE)		8.7
8	1	002-00H-Z003	.375" DIA. X 3.00" LG. BENT HITCH PIN		0.13
9	1	309-000-0002-09	EDGE GUARD, 1/2", 9" LG.	9"	0.060
10	2	002-00C-0002	COTTER PIN, .188 DIA. X 1.50 LG, GALV		0.007
11	1	002-0BG-0032	BOLT, HX HD, 1.25-7UNC X 9.00 LG, A325, GALV		3.81
12	1	002-0NG-0020	NUT, HX, ANCO LOCKNUT, 1.25-7UNC, GR 2H, GALV		0.79
13	2	002-0BG-0007	BOLT, HX HD, .75-10UNC X 8.00 LG, A325, GALV		1.16
14	2	002-0NG-0002	NUT, HX, .75-10UNC, GR 2H, GALV		0.19
15	2	002-0LW-G003	WASHER, SPLIT LOCK, .75", GALV		0.04
16	4	002-0FW-G000	WASHER, FLAT, .75 INCH, USS, GALV		0.09
17	4	002-0BG-0234	BOLT, HX HD, .250-20UNC x 1.0 LG, GR 5, GALV.		0.02
18	4	002-0NG-0014	NUT, HEX, .25-20UNC, GR 2H, GALV		0.01
19	4	002-0LW-G009	WASHER, SPLIT LOCK, .25 INCH, GALV		0.00
20	4	002-0FW-G006	WASHER, FLAT, .25 INCH, TYPE A, GALV		0.00
21	1	309-000-0001-06	EDGE GUARD, 3/16", 6" LG	6"	0.0
22	2	999-999-L001	3.5" x 5" DO NOT CLIMB DECAL		0.006
23	2	999-999-L002	3.5" x 5" PINCH POINT DECAL		0.006
24	1	999-999-L003	3.5" x 5" WINCH RATING DECAL		0.006

SURFACE FINISH <input checked="" type="checkbox"/> UNLESS OTHERWISE SPECIFIED		UNLESS OTHERWISE SPECIFIED DIMENSIONS ARE IN INCHES		APPROVALS		DATE	
MATERIAL SEE PARTS LIST		TOLERANCES		DRAWN CS		11.08.11	
THIRD ANGLE PROJECTION		.00 ± .06 .000 ± .005		CHECKED LC		12.06.11	
NEXT ASSY		FRACTIONS ± 1/16		ENGINEER/DESIGNER VGD		12.05.11	
USED ON		ANGLES ± .25°		PRODUCTION JKS		12.05.11	
APPLICATIONS		HOLES: DRILLED OR PUNCHED ± 1/32		SCALE: 1:30		WEIGHT: 1153.1 lbs.	
		BURNED ± 1/32		REV 6		SHEET 1 OF 1	



ELECTRO MECHANICAL INDUSTRIES, INC.
11230 NEESEW DRIVE
HOUSTON, TEXAS 77065
1-800-453-0050

TITLE:
20' TILT-UP SOLAR TOWER, 5 MODULE

SIZE B DRAWING NO. 400-004-1850