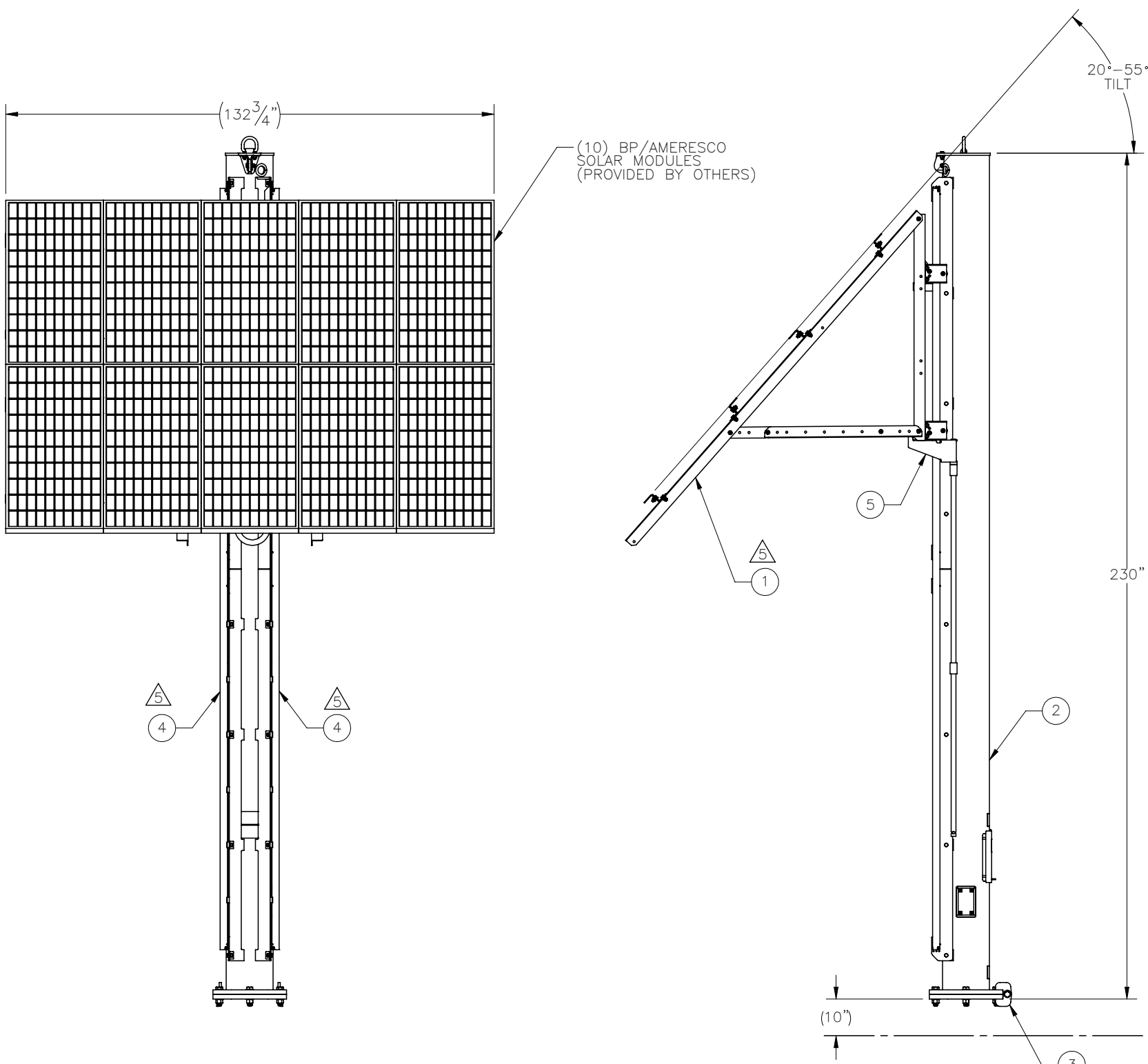

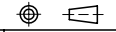


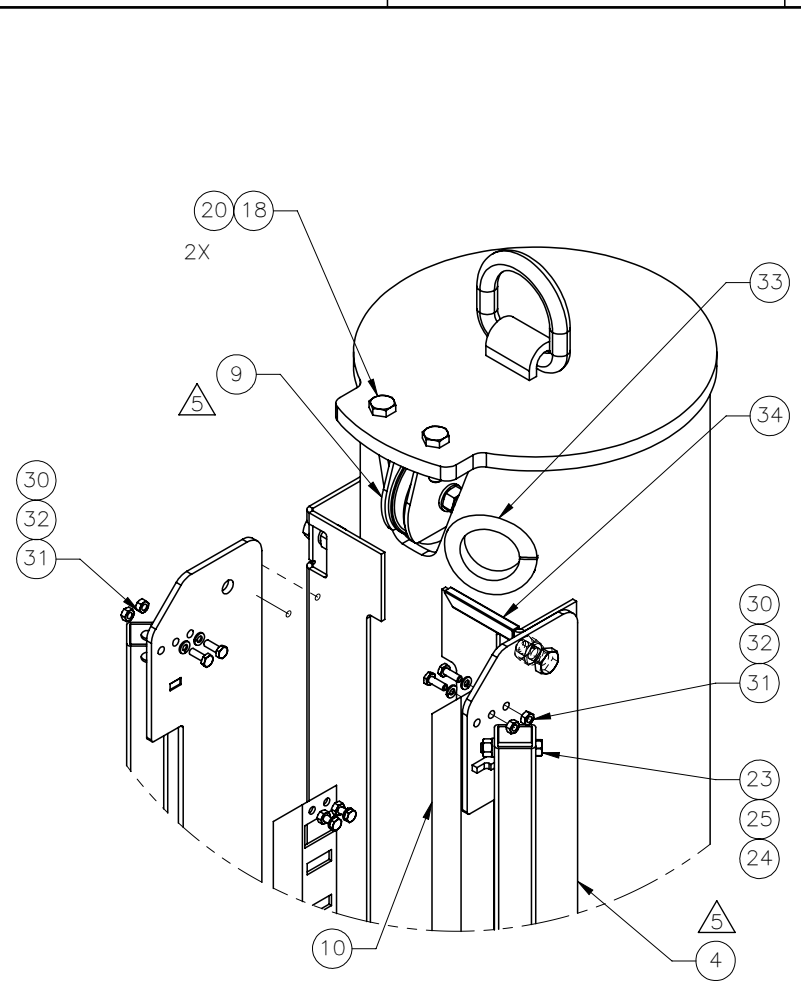
THE INFORMATION CONTAINED IN THIS DRAWING IS THE SOLE PROPERTY OF ELECTRO MECHANICAL INDUSTRIES, INC. ANY REPRODUCTION IN PART OR WHOLE WITHOUT THE WRITTEN PERMISSION OF ELECTRO MECHANICAL IND., IS PROHIBITED.

REVISIONS					
REV.	DCN #	DESCRIPTION	DATE	BY	APPROVED
5	01124	VISUALLY UPDATED DUE TO COST REDUCTION	4/4/2022	BLH	JPB

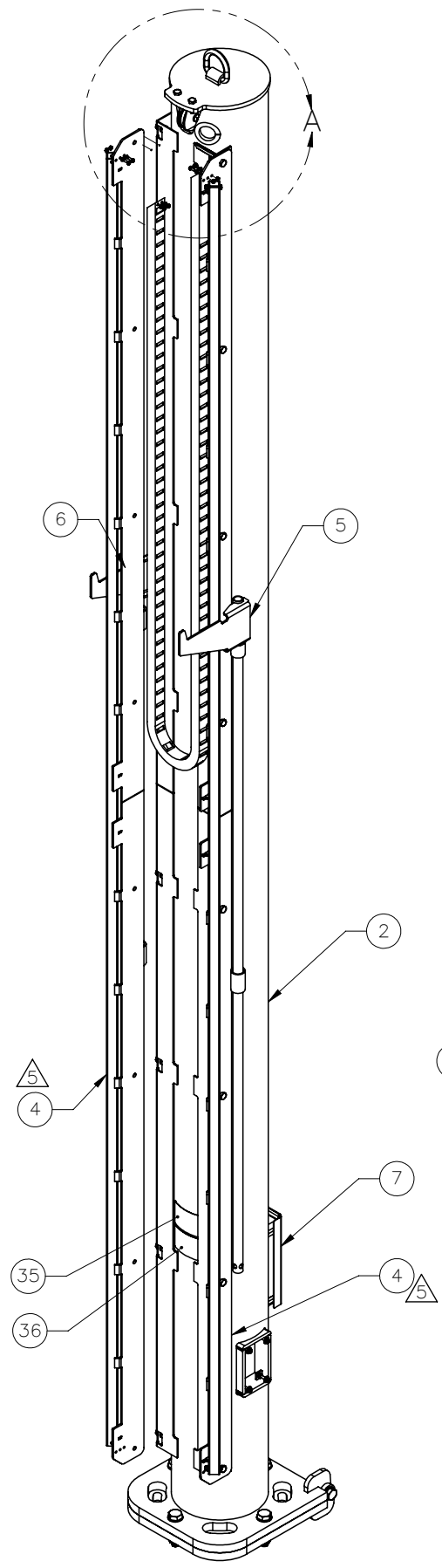


ITEM NO.	QTY.	PART NUMBER	DESCRIPTION	LENGTH	WEIGHT
1	1	A-000-577	10 SOLAR MODULE FRAME ASSEMBLY		671.50
2	1	400-005-1000-0100	POLE SUB ASSEMBLY		1212
3	1	400-005-1000-0130	LOWER BASE PLATE ASSEMBLY		113.62
4	2	W-002-199	SOLAR MONOPOLE TRACK WELDMENT		103.9
5	1	W-002-197	STOP ARM WELDMENT - A		19.9
6	1	W-002-198	STOP ARM WELDMENT - B		19.9
7	1	400-005-1000-0150	WINCH ACCESS COVER		3.8
8	1	1002-0050-0006	WINCH KIT (1/4" X 36' WIRE ROPE)		8.7
9	1	A-000-588	SHEAVE BLOCK ASSEMBLY, 4" DIA.		4.65
10	1	400-905-0100	DRAG CHAIN 189" LG.		5.28
11	4	002-0BG-0054	BOLT, HX HD, 1.00-8UNC X 4.50 LG, GR B7, GALV		1.32
12	4	002-0NG-0000	NUT, HX, ANCO LOCK, 1.00-8UNC, GR 2H, GALV		0.43
13	8	002-0FW-G009	WASHER, FLAT, 1.00", F436, GALV.		0.08
14	2	002-0BG-0040	BOLT, HX HD, .875-9UNC X 3.00 LG, ASTM A325, GALV		0.75
15	2	002-0NG-0009	NUT, HX, .875-9UNC, GR 2H, GALV		0.29
16	2	002-0LW-G007	WASHER, SPLIT LOCK, .875, GALV		0.06
17	4	002-0FW-G008	WASHER, FLAT, .875, ASTM F436, GALV		0.09
18	2	002-0BG-0012	BOLT, HX HD, .500-13UNC X 1.75 LG, ASTM A325, GALV		0.2
19	16	002-0BG-0023	HHB, .500-13 X 1.25 LG., PT X 1.00, A325, HDG		0.13
20	2	002-0NG-0005	NUT, HEX, ANCO LOCKNUT, .500-13UNC, GR 2H, GALV		0.1
21	16	002-0NG-0010	NUT, HEX, .500-13UNC, GR 2H, GALV		0.06
22	16	002-0LW-G002	WASHER, SPLIT LOCK, .500", GALV		0.01
23	4	002-0BG-0048	BOLT, HEX HD, .375-16UNC X 2.0 LG, GR 5 GALV.		0.01
24	4	002-0NG-0018	NUT, HEX, .375-16UNC, GR 5, GALV		0.02
25	4	002-0LW-G005	WASHER, SPLIT LOCK, .375 INCH, GALV.		0.01
26	4	002-0BG-0208	HB, .3125-18 X 2 LG., FT, GR. 5, HDG		0.06
27	8	002-0NG-0007	NUT, HEX, .313"-18, GR 2H, GALV.		0.00
28	4	002-0LW-G006	WASHER, SPLIT LOCK, .313 INCH, GALV		0.00
29	4	002-0FW-G007	WASHER, FLAT, .313", GALV		0.01
30	6	002-0BG-0016	BOLT, HEX HD, .250-20UNC X .75 LG ASTM A307, GALV		0.02
31	6	002-0NG-0014	NUT, HEX, .25-20UNC, GR 2H, GALV		0.01
32	6	002-0LW-G009	WASHER, SPLIT LOCK, .25 INCH, GALV		0.00
33	1	309-000-0003-07	EDGE GUARD, 1/4", .50 X 7 LG.	7"	0.00
34	1	309-000-0001-34	EDGE GUARD, 3/16", 3.5" LG	3 1/2"	0.01
35	2	999-999-L001	3.5" x 5" DO NOT CLIMB DECAL		0.01
36	2	999-999-L002	3.5" x 5" PINCH POINT DECAL		0.01
37	1	999-999-L003	3.5" x 5" WINCH RATING DECAL		0.01

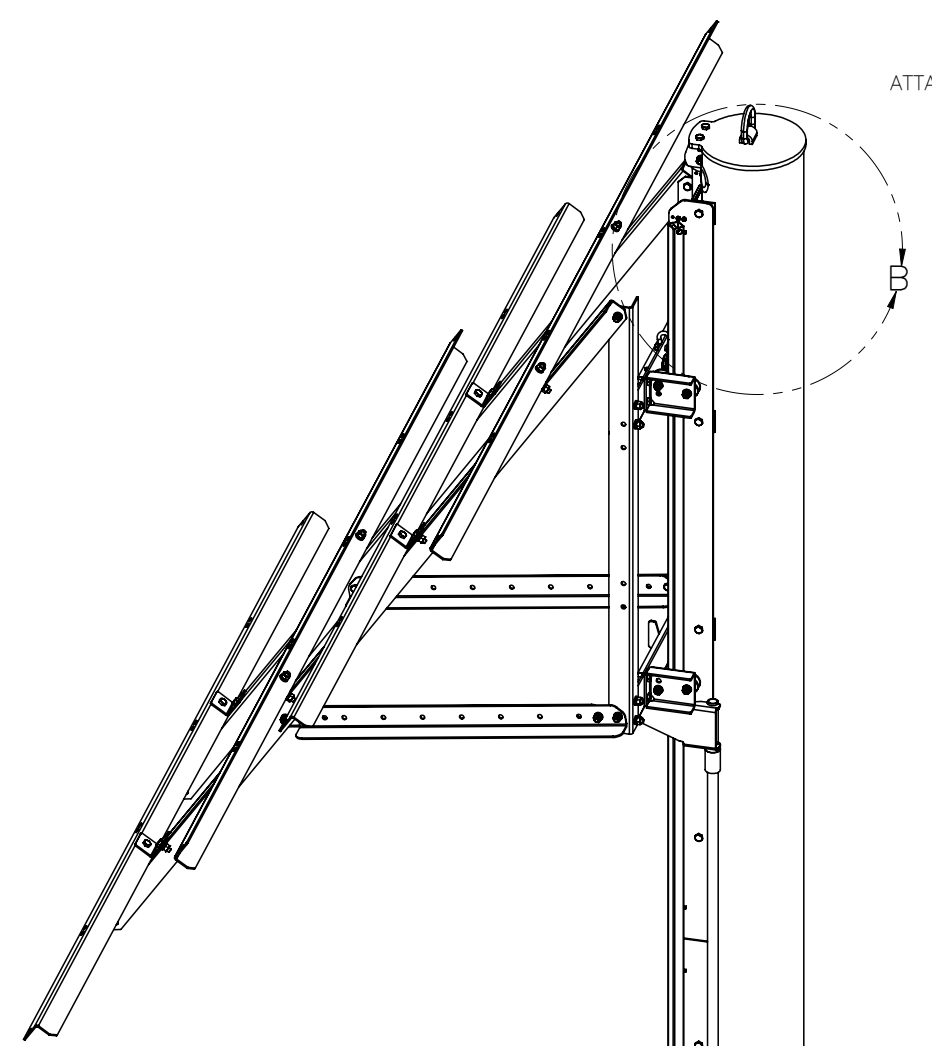
SURFACE FINISH <input checked="" type="checkbox"/> UNLESS OTHERWISE SPECIFIED		UNLESS OTHERWISE SPECIFIED DIMENSIONS ARE IN INCHES		APPROVALS		DATE		 ELECTRO MECHANICAL INDUSTRIES, INC. 11250 NEESESHAW DRIVE HOUSTON, TEXAS 77065 1-800-453-0050	
MATERIAL SEE PARTS LIST		TOLERANCES .0 ±.06 .00 ±.015 .000 ±.005 FRACTIONS ± 1/16 ANGLES ± .25° HOLES: DRILLED OR PUNCHED ± 1/32 BURNED ± 1/32		DRAWN CS		7/8/2011		TITLE: SOLAR MONOPOLE TOWER - 10 MODULE	
THIRD ANGLE PROJECTION 				CHECKER LC		12/5/2011		SIZE B	
NEXT ASSY		USED ON		ENGINEER CS		12/5/2011		DRAWING NO. 400-005-1100	
APPLICATIONS				PRODUCTION JKS		1/5/2012		REV 5	
								SCALE: 1:36 WEIGHT: 2281.7 lbs. SHEET 1 OF 2	



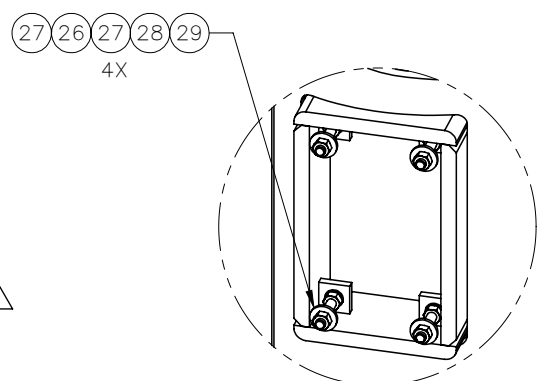
DETAIL A



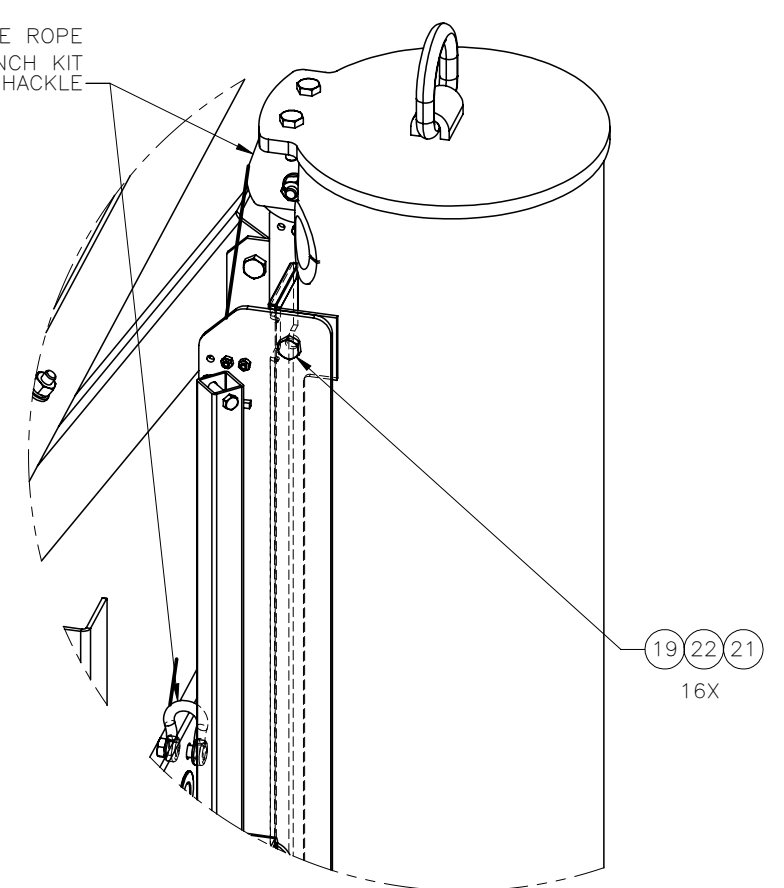
FRONT ISOMETRIC VIEW  
SHOWN WITHOUT SOLAR  
MODULE FRAME ASSEMBLY



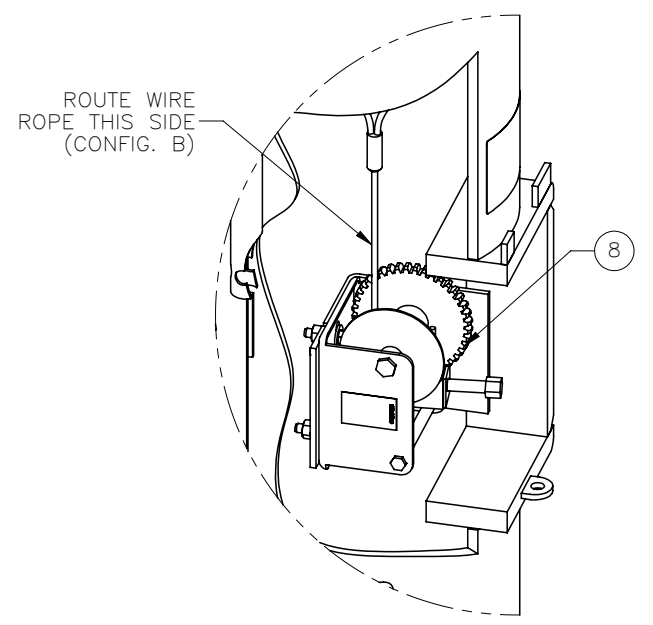
REAR ISOMETRIC VIEW



DETAIL E  
J-BOX HARDWARE



DETAIL B



DETAIL C  
WINCH KIT