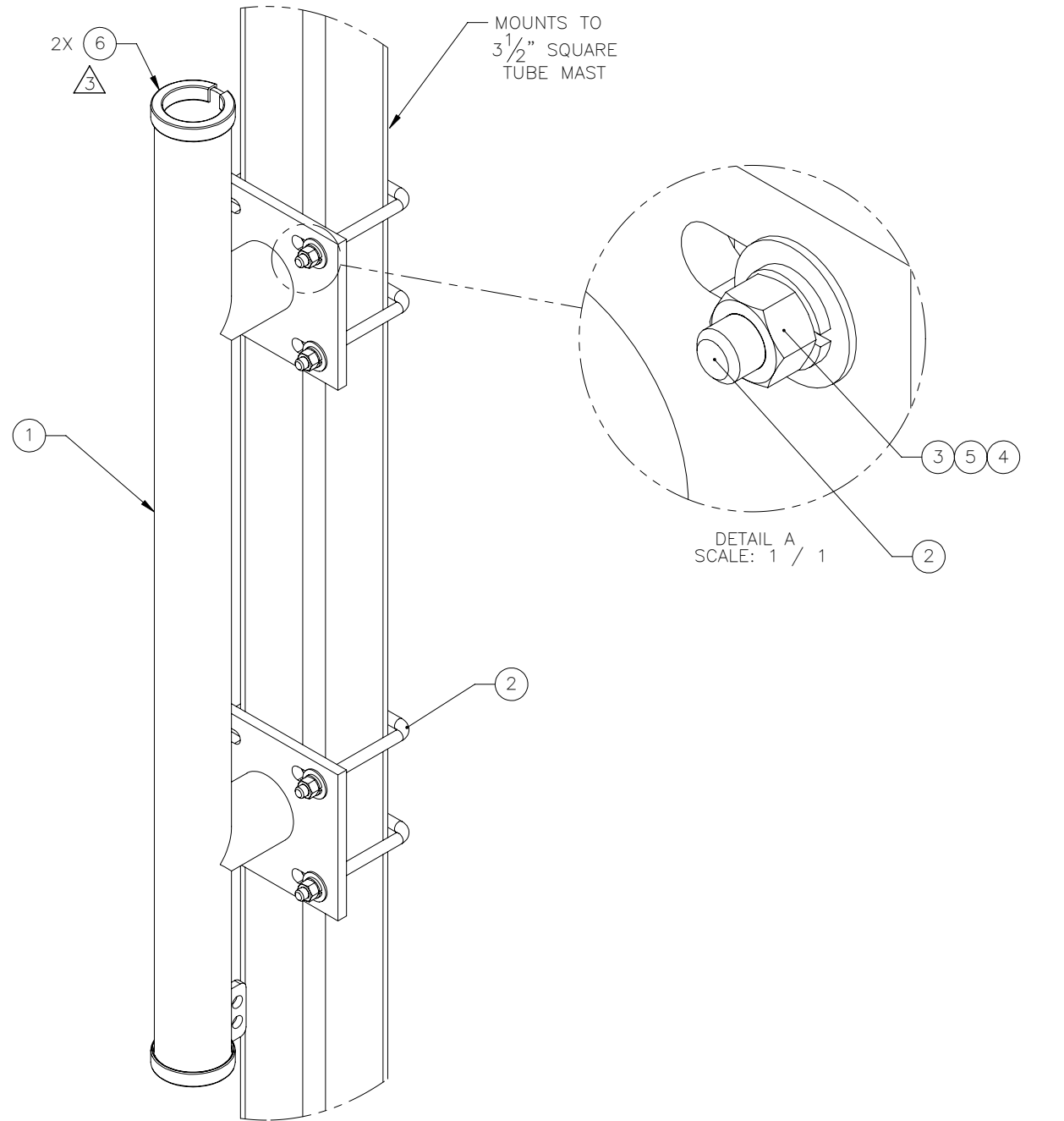
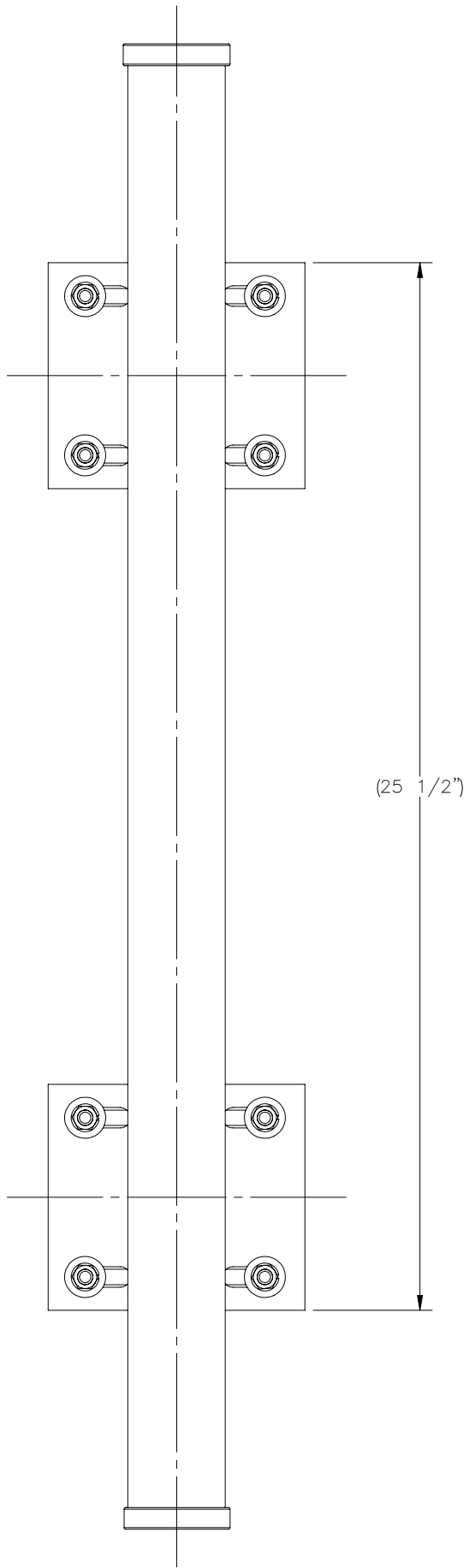
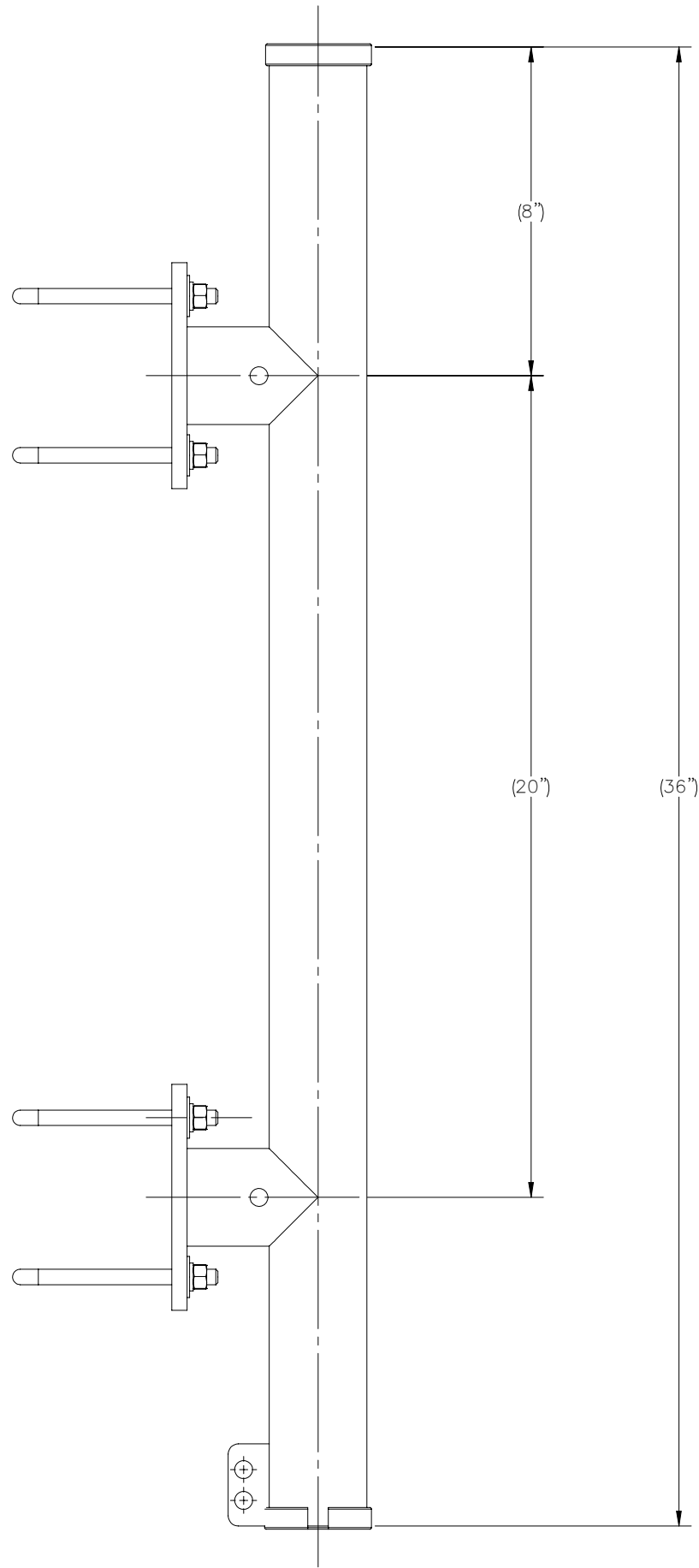

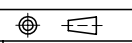


THE INFORMATION CONTAINED IN THIS DRAWING IS THE SOLE PROPERTY OF ELECTRO MECHANICAL INDUSTRIES, INC. ANY REPRODUCTION IN PART OR WHOLE WITHOUT THE WRITTEN PERMISSION OF ELECTRO MECHANICAL IND., IS PROHIBITED.

REVISIONS					
REV.	DCN #	DESCRIPTION	DATE	BY	APPROVED
3	01154	UPDTED EDGE GUARD	6/10/2022	BLH	JPB



ITEM NO.	QTY REQD	PART NUMBER	DESCRIPTION	LENGTH	WEIGHT
1	1	400-904-0121-0100	MIDMAST ANTENNA MOUNT FRAME		18.60
2	4	002-00U-G012	SQ U-BOLT, .375"-16 X 4.625", 4" I.D., GALV.		0.427
3	8	002-0NG-0018	NUT, HEX, .375-16UNC, GR 5, GALV		0.02
4	8	002-0FW-G005	WASHER, FLAT, .375, GALV.		0.01
5	8	002-0LW-G005	WASHER, SPLIT LOCK, .375 INCH, GALV.		0.01
6	2	309-000-0001-06	EDGE GUARD, 3/16", 6" LG	6"	0.0

SURFACE FINISH <input checked="" type="checkbox"/> UNLESS OTHERWISE SPECIFIED		UNLESS OTHERWISE SPECIFIED DIMENSIONS ARE IN INCHES		APPROVALS		DATE		 ELECTRO MECHANICAL INDUSTRIES, INC. 11230 NEESESHAW DRIVE HOUSTON, TEXAS 77065 1-800-453-0050	
MATERIAL SEE PARTS LIST		TOLERANCES .0 ±.06 .00 ±.015 .000 ±.005 FRACTIONS ± 1/16 ANGLES ± .25° HOLES: DRILLED OR PUNCHED ± 1/32 BURNED ± 1/32		DRAWN LC		9/23/2011			
THIRD ANGLE PROJECTION 				CHECKER C. SANCHEZ		9/30/2011			
NEXT ASSY USED ON				ENGINEER LC		9/30/2011			
APPLICATIONS				PRODUCTION J. SUNDERLAND		9/30/2011			