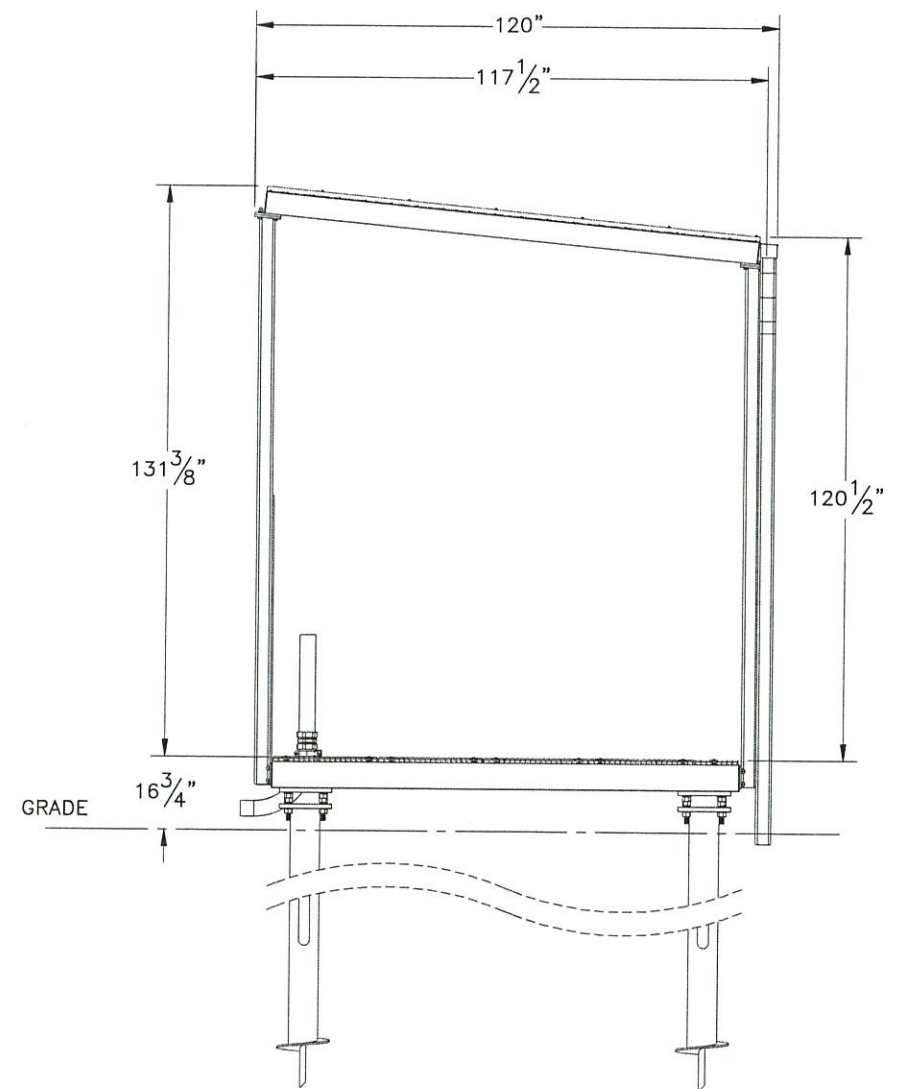
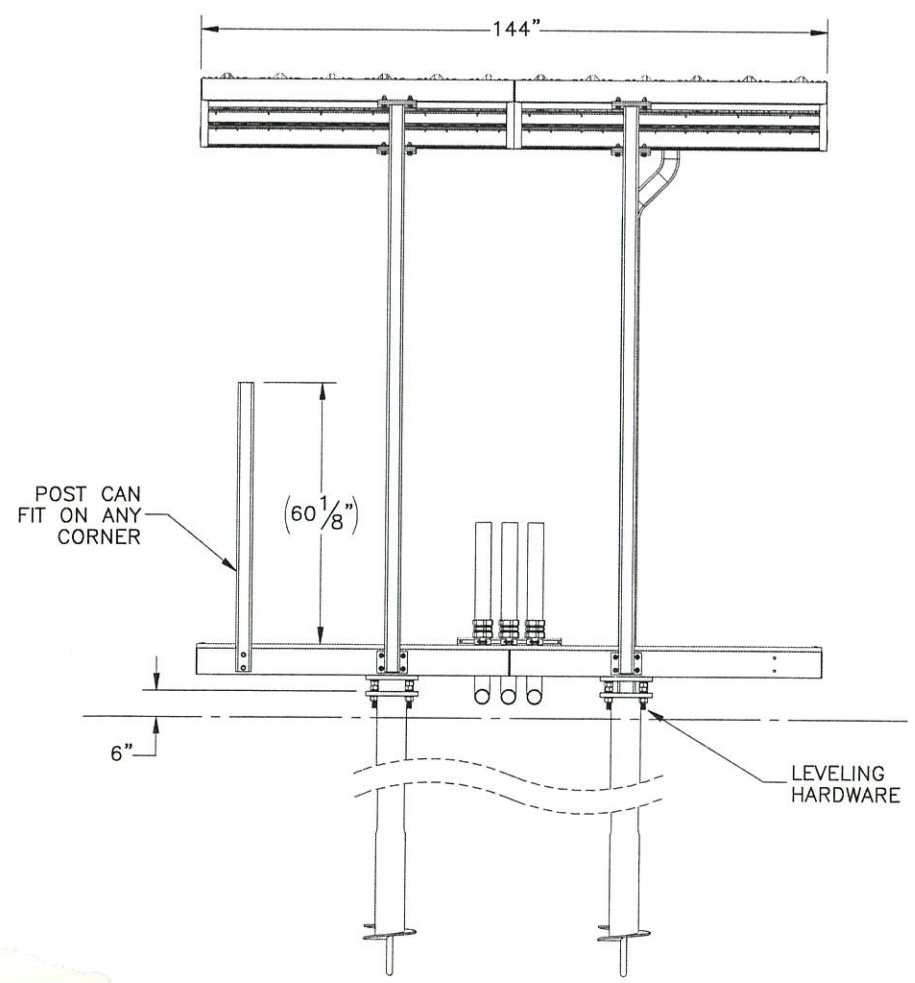
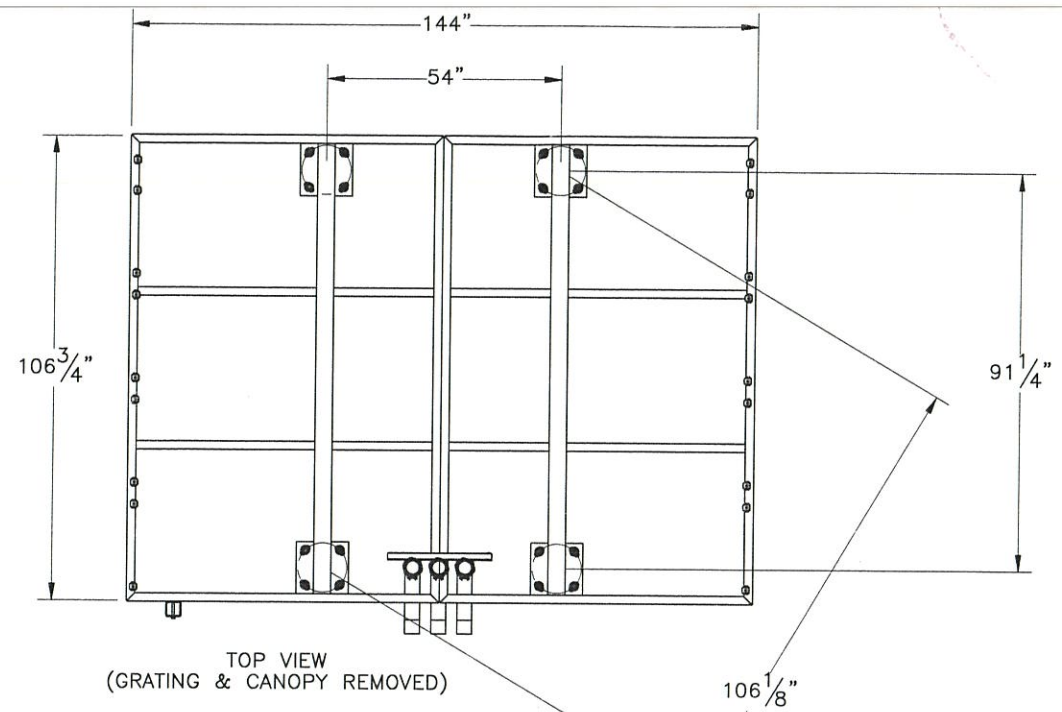


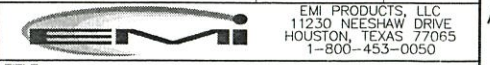
THE INFORMATION CONTAINED IN THIS DRAWING IS THE SOLE PROPERTY OF ELECTRO MECHANICAL INDUSTRIES, INC. ANY REPRODUCTION IN PART OR WHOLE WITHOUT THE WRITTEN PERMISSION OF ELECTRO MECHANICAL IND., IS PROHIBITED.

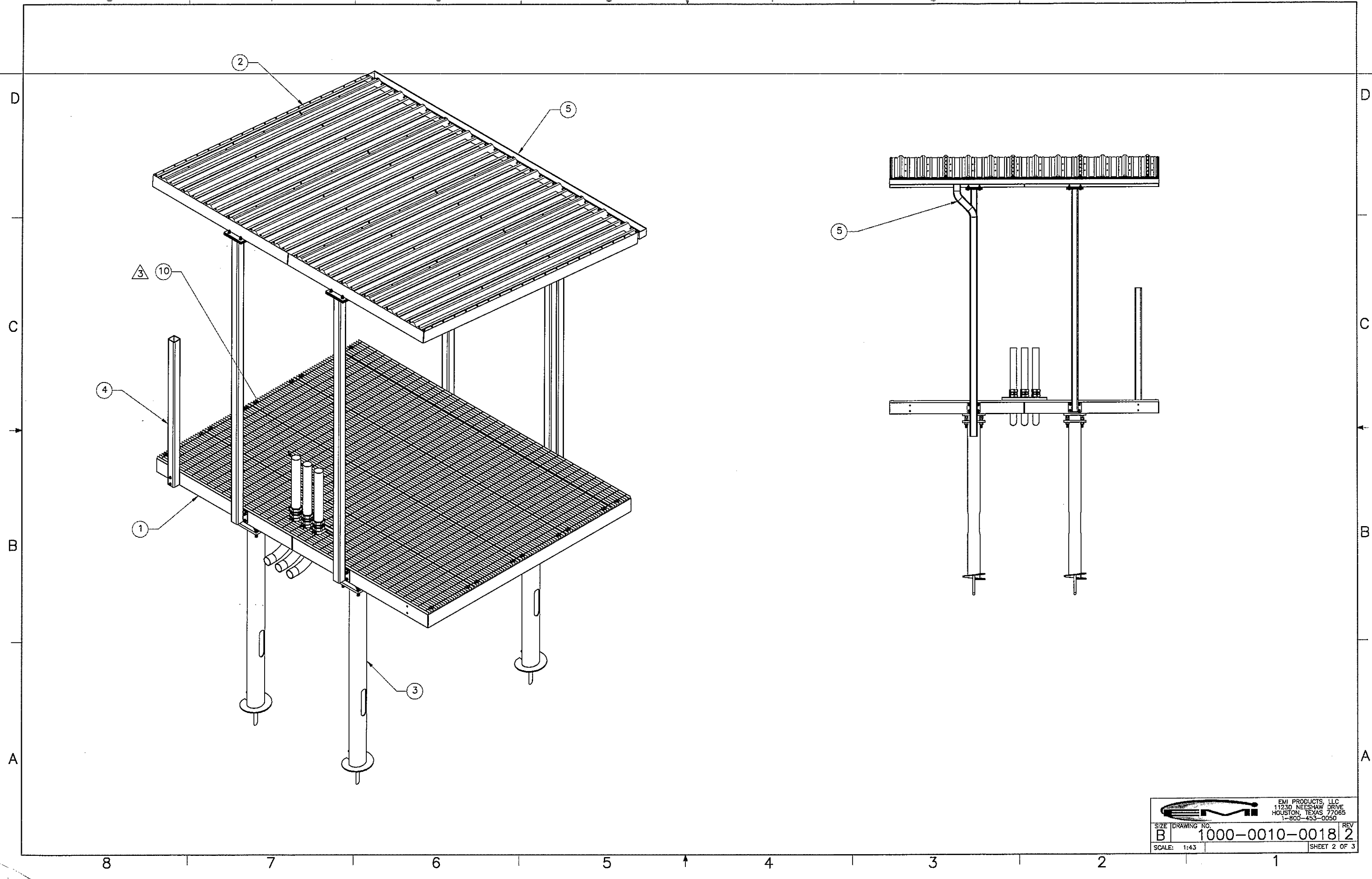
REVISIONS					
REV.	DCN #	DESCRIPTION	DATE	BY	APPROVED
2	DCN00138	ADDED ADDITIONAL VIEWS AND ASSEMBLY DETAILS, ADDED A-000-040 CONDUIT ASSEMBLY	4.22.16	TDP	<i>[Signature]</i>




ITEM NO.	QTY REQD	PART NUMBER	DESCRIPTION	LENGTH	WEIGHT
1	1	1001-0020-0009	102" X 120" PLATFORM		1830.3
2	1	1001-0030-0005	144" X 113.75" FLAT ROOF CANOPY		1261.8
3	4	400-000-1017	6" X 7', 1" BASE - HEL. PIER		60.5
4	1	P-000-620	PILLAR LEG SHORT	66 1/2"	58.34
5	1	COMMON	GUTTER, 10' WHIRLWIND FL-18B EAVE, 26 GA GALVALUME PLUS, WITH OTHER COMPONENTS	144"	92.08
6	2	002-0BG-0236	BOLT, .500-13UNC X 5 LG, 1 INCH THD LENGTH GALV		0.322
7	2	002-0NG-0010	NUT, HX, .500-13UNC, GR DH, GALV		0.06
8	2	002-0LW-G002	WASHER, SPLIT LOCK, .500", GALV		0.01
9	4	002-0FW-G002	WASHER, FLAT, .500", F436, GALV		0.02
10	1	A-000-040	TYPICAL CONDUIT ASSEMBLY		23.2

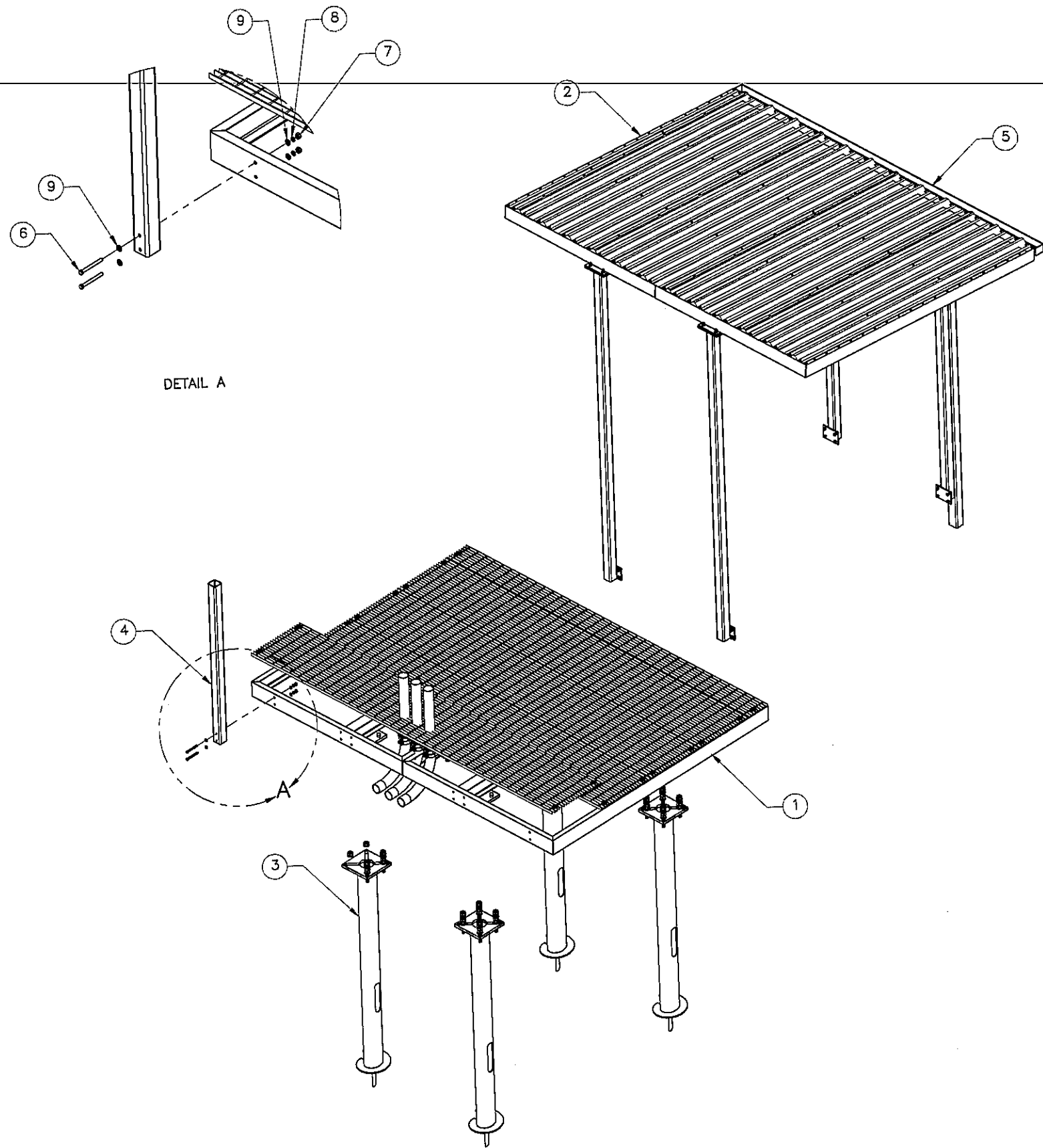
SURFACE FINISH <input checked="" type="checkbox"/> UNLESS OTHERWISE SPECIFIED		UNLESS OTHERWISE SPECIFIED DIMENSIONS ARE IN INCHES		APPROVALS		DATE	
MATERIAL SEE PARTS LIST		TOLERANCES		DRAWN J. CRITELLI		2.11.16	
THIRD ANGLE PROJECTION		.0 ± .06		CHECKED D. HUGHES		02.18.16	
NEXT ASSY		.000 ± .005		ENGINEER/DESIGNER J. CRITELLI		02.17.16	
USED ON		FRACTIONS ± 1/16		PRODUCTION J. CRAIG		02.18.16	
APPLICATIONS		ANGLES ± .25°		TITLE: PLUG POWER PLATFORM		SIZE: B	
		HOLES: DRILLED OR PUNCHED ± 1/32		DRAWING NO. 1000-0010-0018		REV 2	
		BURNED ± 1/32		SCALE: 1:43		WEIGHT: -	
				SHEET 1 OF 3			





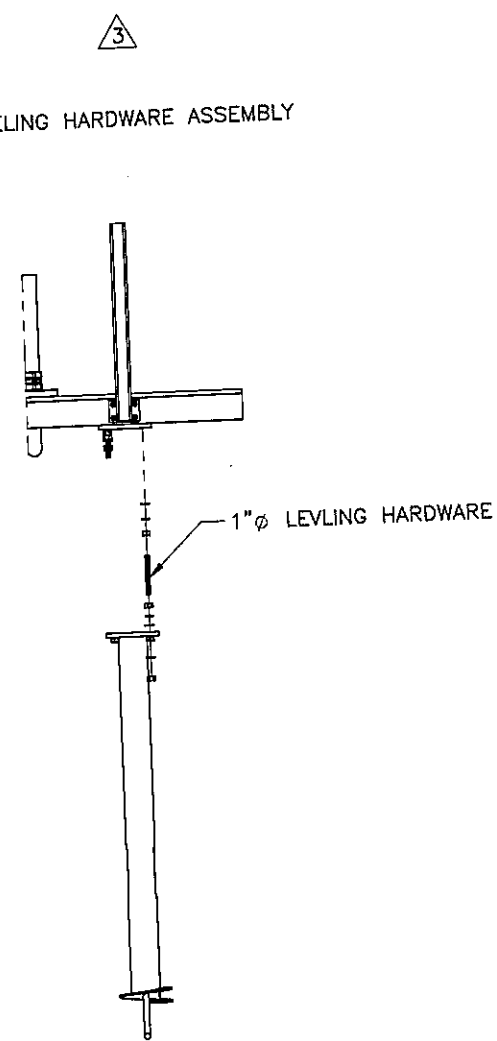
		EMI PRODUCTS, LLC 11230 NEESHAW DRIVE HOUSTON, TEXAS 77065 1-800-453-0050	
SIZE	DRAWING NO.	REV	
B	1000-0010-0018	2	
SCALE: 1:43	SHEET 2 OF 3		

8 7 6 5 4 3 2 1

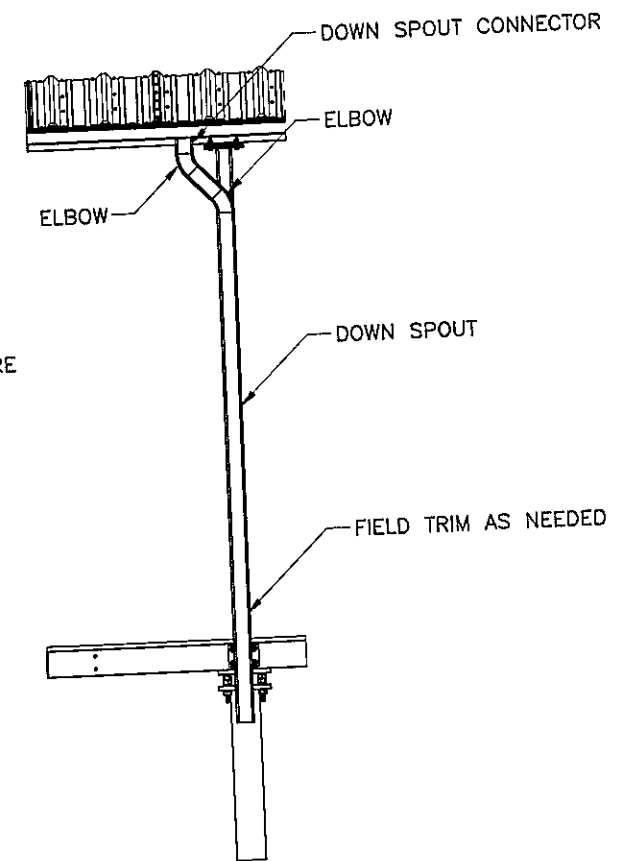


DETAIL A

LEVELING HARDWARE ASSEMBLY



DOWN SPOUT LOCATION



		EMI PRODUCTS, LLC 11230 NEEDSHAW DRIVE HOUSTON, TEXAS 77065 1-800-453-0050	
SIZE	DRAWING NO.	REV	
B	1000-0010-0018	2	
SCALE:	1:43	SHEET 3 OF 3	

8

7

6

5

4

3

2

1

D

C

B

A

D

C

B