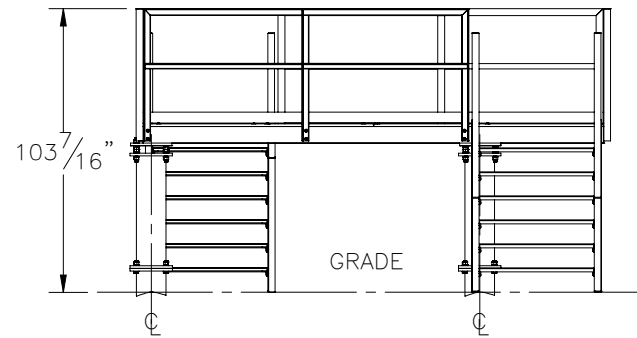
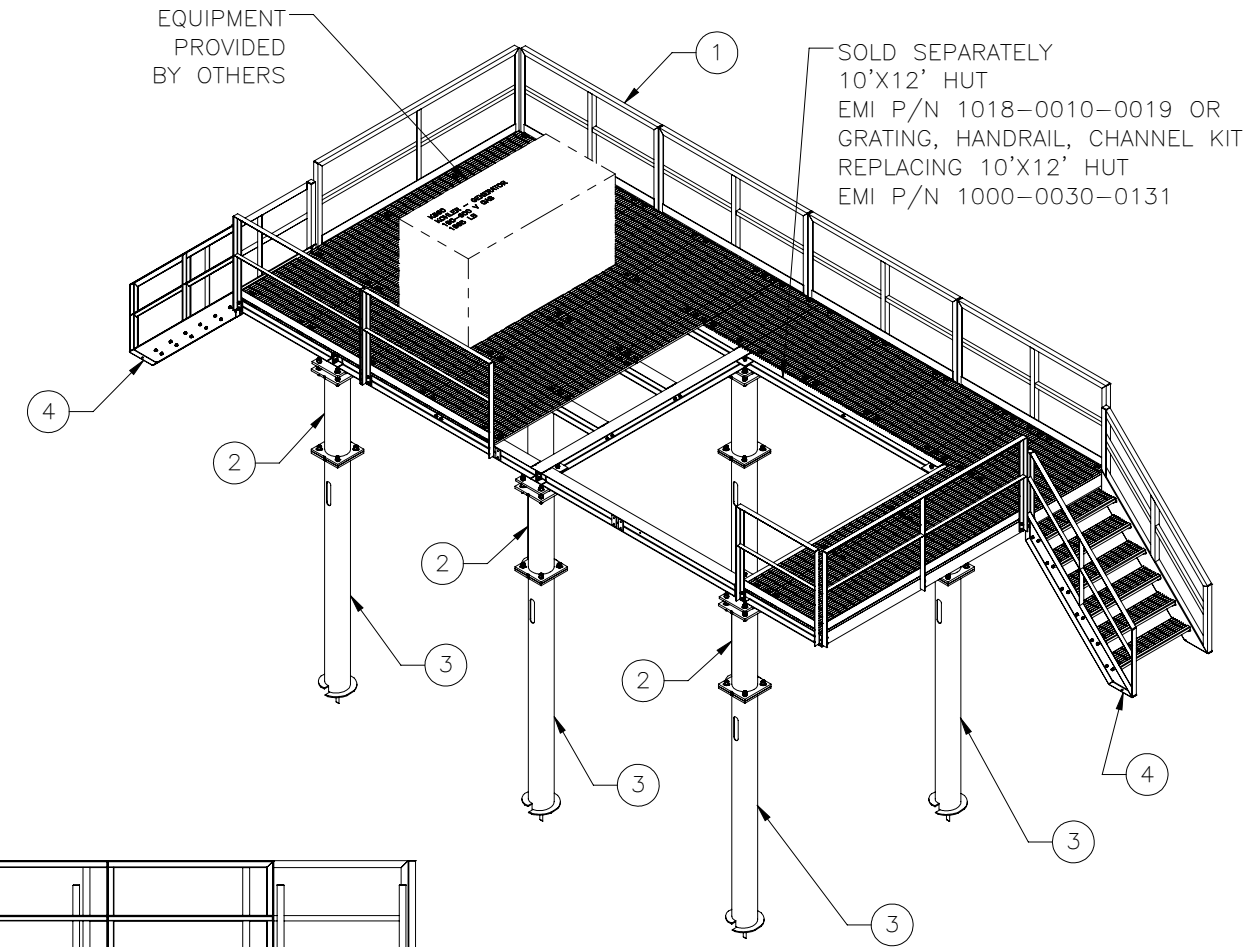
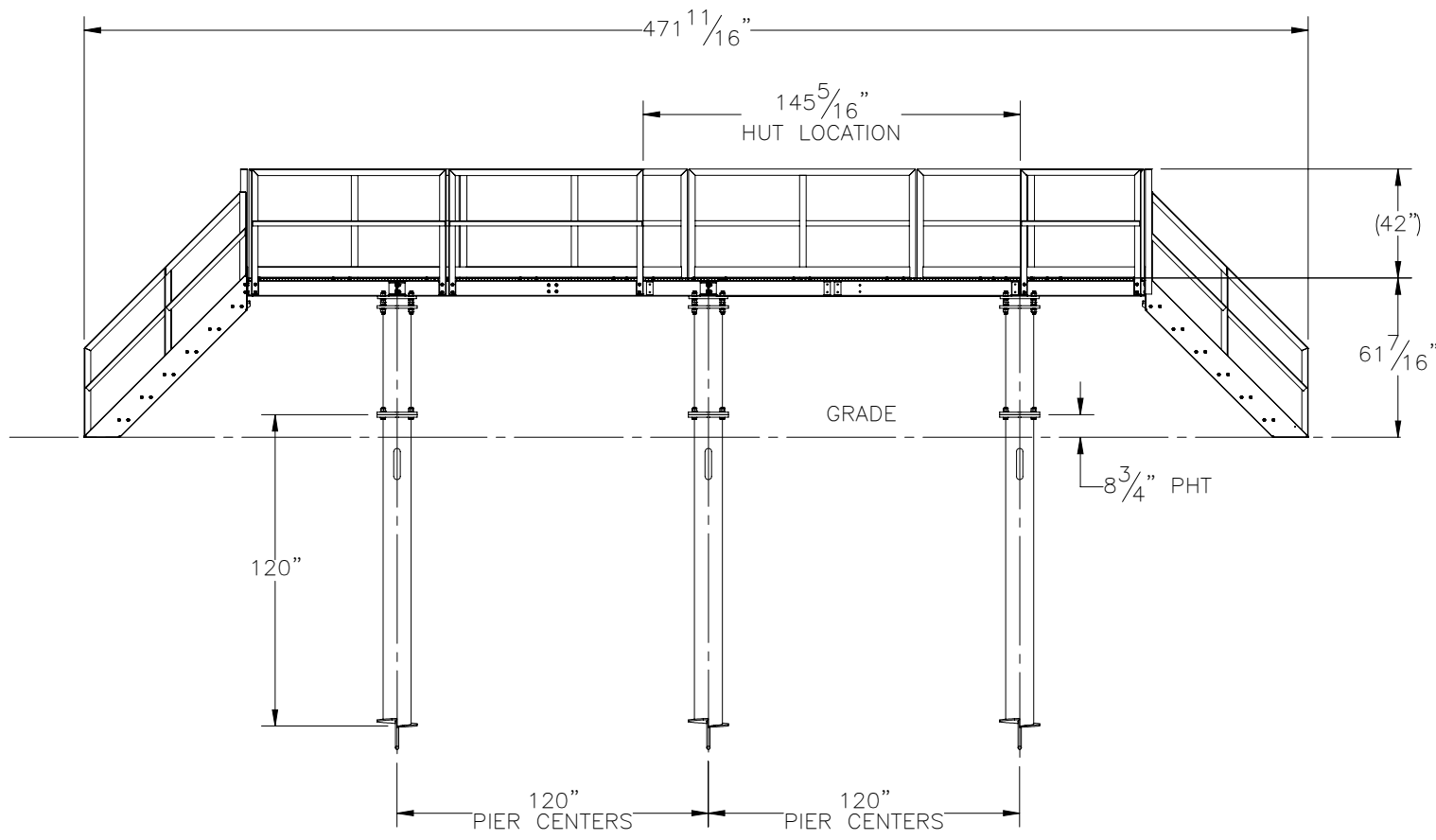
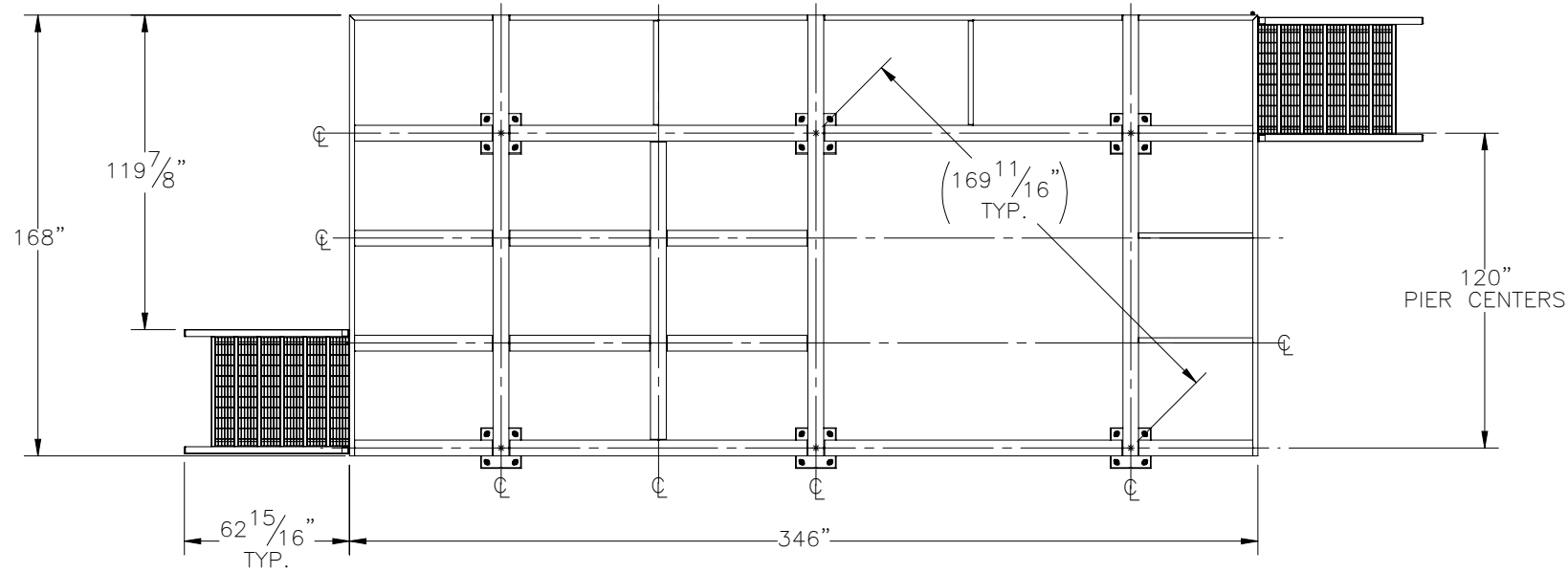

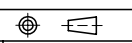


THE INFORMATION CONTAINED IN THIS DRAWING IS THE SOLE PROPERTY OF ELECTRO MECHANICAL INDUSTRIES, INC. ANY REPRODUCTION IN PART OR WHOLE WITHOUT THE WRITTEN PERMISSION OF ELECTRO MECHANICAL IND., IS PROHIBITED.

SHOWN WITHOUT GRATING OR HANDRAILS



ITEM NO.	QTY REQD	PART NUMBER	DESCRIPTION	LENGTH	WEIGHT
1	1	1001-0010-0074	10' X 12' HUT PLATFORM		6187
2	6	1007-T010-0420	3.5 FT EXTENSION		236.1
3	6	400-000-1001	10" X 10', 1" BASE, 1" HDW. - HELICAL PIER		347
4	2	450-000-0143	6 TREAD STAIR ASSY (42" WIDE)		446.5

SURFACE FINISH <input checked="" type="checkbox"/> UNLESS OTHERWISE SPECIFIED		UNLESS OTHERWISE SPECIFIED DIMENSIONS ARE IN INCHES		APPROVALS	DATE	 ELECTRO MECHANICAL INDUSTRIES, INC. 11230 NEESEAW DRIVE HOUSTON, TEXAS 77065 1-800-453-0050
MATERIAL	SEE PARTS LIST	TOLERANCES		DRAWN	10/24/2022	
THIRD ANGLE PROJECTION		.0 ± .06 .00 ± .015 .000 ± .005 FRACTIONS ± 1/16 ANGLES ± .25°		CHECKER	10/24/2022	TITLE:
NEXT ASSY	USED ON	HOLES: DRILLED OR PUNCHED ± 1/32		ENGINEER	10/25/2022	10' X 12' (14' X 29' OA) HUT PLATFORM, 2 STAIRS
APPLICATIONS		BURNED ± 1/32		PRODUCTION	10/25/2022	
				J. KERNER		DRAWING NO.
						1000-0010-0380
						REV
						0
						SCALE: 1:70
						WEIGHT: 10577.10 lbs.
						SHEET 1 OF 2

