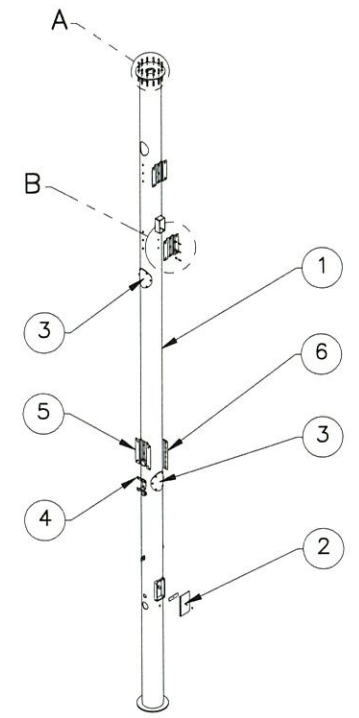
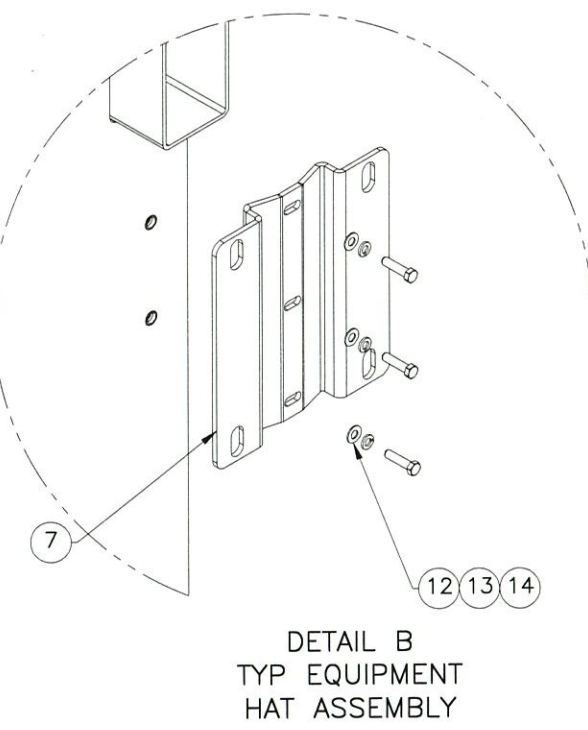
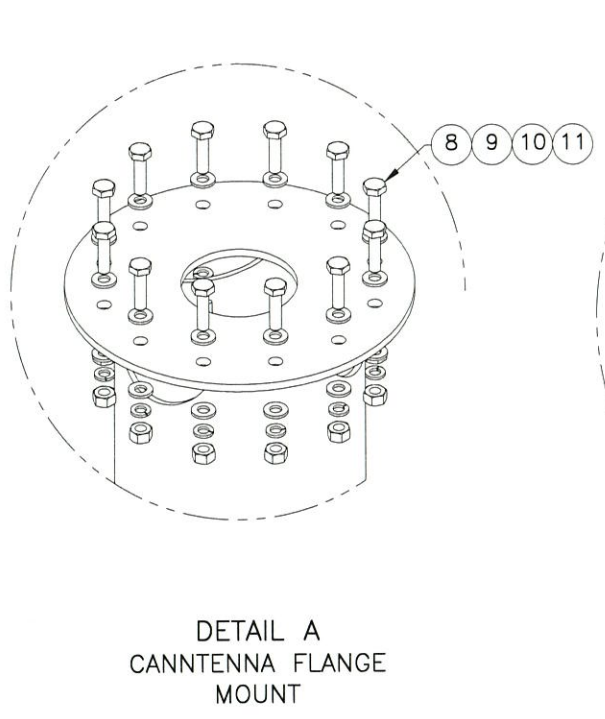
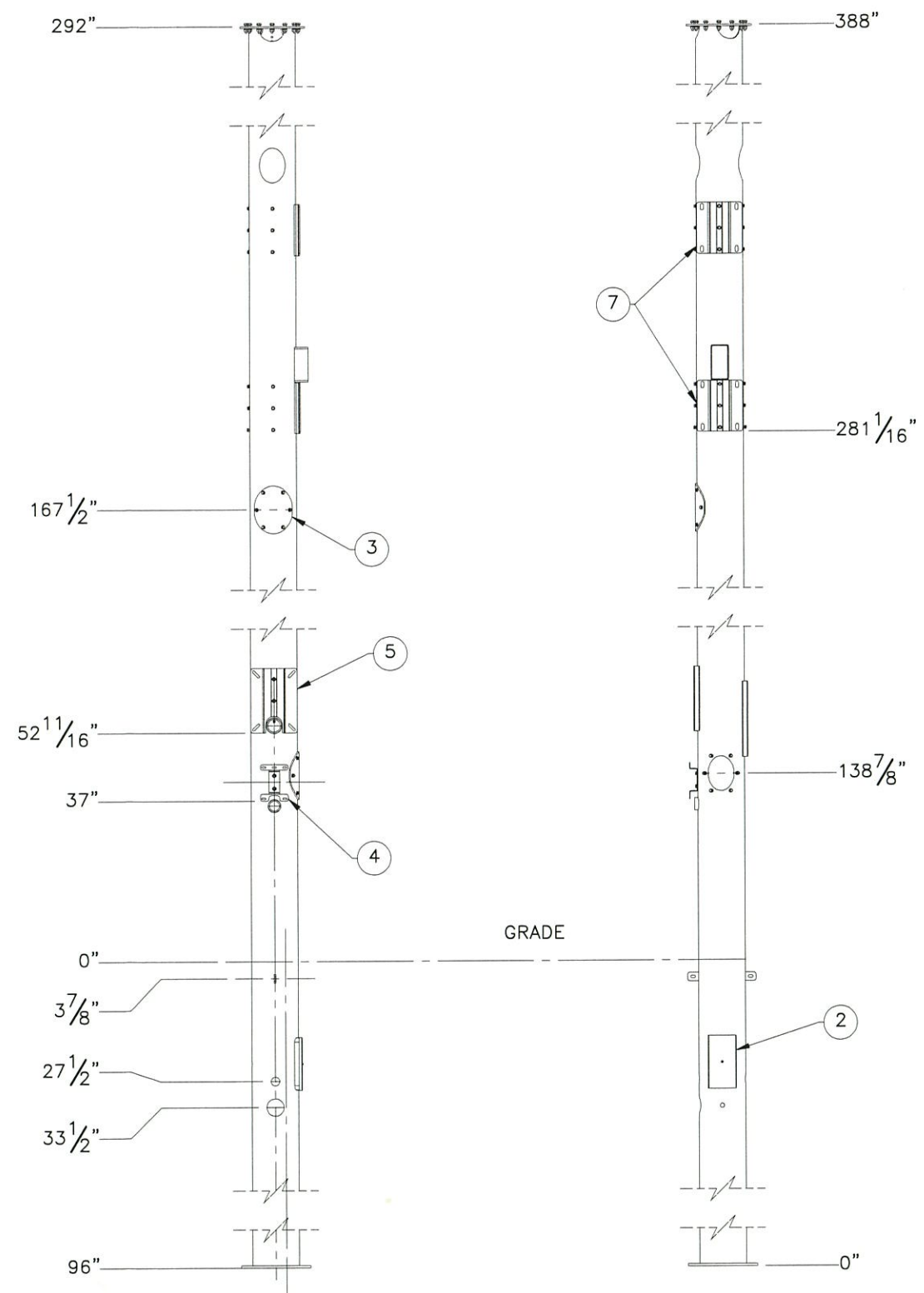

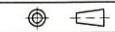





THE INFORMATION CONTAINED IN THIS DRAWING IS THE SOLE PROPERTY OF ELECTRO MECHANICAL INDUSTRIES, INC. ANY REPRODUCTION IN PART OR WHOLE WITHOUT THE WRITTEN PERMISSION OF ELECTRO MECHANICAL IND., IS PROHIBITED.



ITEM NO.	QTY REQD	PART NUMBER	DESCRIPTION	LENGTH	WEIGHT
1	1	1002-0000-0041	24'-4" BARE MONOPOLE		944.0
2	1	1000-0020-0036	6" X 12" HANDHOLE COVER KIT		3.91
3	2	P-003-433	COVER PLATE		8.59
4	1	P-003-179	EQUIPMENT HAT, LOAD CENTER		1.3
5	1	P-003-311	EQUIPMENT HAT, METER ENCLOSURE, 10" PIPE		6.75
6	1	P-003-310	EQUIPMENT HAT, CHARLES FIBER ENCLOSURE, 10" PIPE		7.48
7	2	P-004-145	EQUIPMENT HAT, FOR SHRD60-552019		10.1
8	12	002-0BG-0014	BOLT, HEX HD, .500-13UNC X 2.0 LG, ASTM A325, GALV		0.2
9	12	002-0LW-G002	WASHER, SPLIT LOCK, .500", GALV		0.01
10	24	002-0FW-G002	WASHER, FLAT, .500", F436, GALV		0.02
11	12	002-0NG-0010	NUT, HEX, .500-13UNC, GR 2H, GALV		0.06
12	42	002-0FW-G005	WASHER, FLAT, .375, GALV		0.01
13	42	002-0LW-G005	WASHER, SPLIT LOCK, .375 INCH, GALV		0.01
14	42	002-0BG-0008	BOLT, HEX HD, .375-16UNC X 1.5 LG, GR 5, GALV		0.06

NOTE: TELECOM EQUIPMENT PROVIDED BY OTHERS

SURFACE FINISH <input checked="" type="checkbox"/> UNLESS OTHERWISE SPECIFIED		UNLESS OTHERWISE SPECIFIED DIMENSIONS ARE IN INCHES		APPROVALS		DATE		 ELECTRO MECHANICAL INDUSTRIES, INC. 11230 NEESEAW DRIVE HOUSTON, TEXAS 77065 1-800-453-0050	
MATERIAL SEE PARTS LIST		TOLERANCES		DRAWN M.GELLENTHIN		03.27.2020			
THIRD ANGLE PROJECTION 		.000 ± .01 .000 ± .005 FRACTIONS ± 1/16 ANGLES ± .25°		CHECKED 		05.28.2020		SIZE B DRAWING NO. 1002-0020-0061 SCALE: 1:36 WEIGHT: 1007 lbs. SHEET 1 OF 1	
NEXT ASSY USED ON		HOLES: DRILLED OR PUNCHED +1/32 BURNED ±1/32		DESIGNED BY 		5/28/2020			
APPLICATIONS				PRODUCTION 		5-29-20			